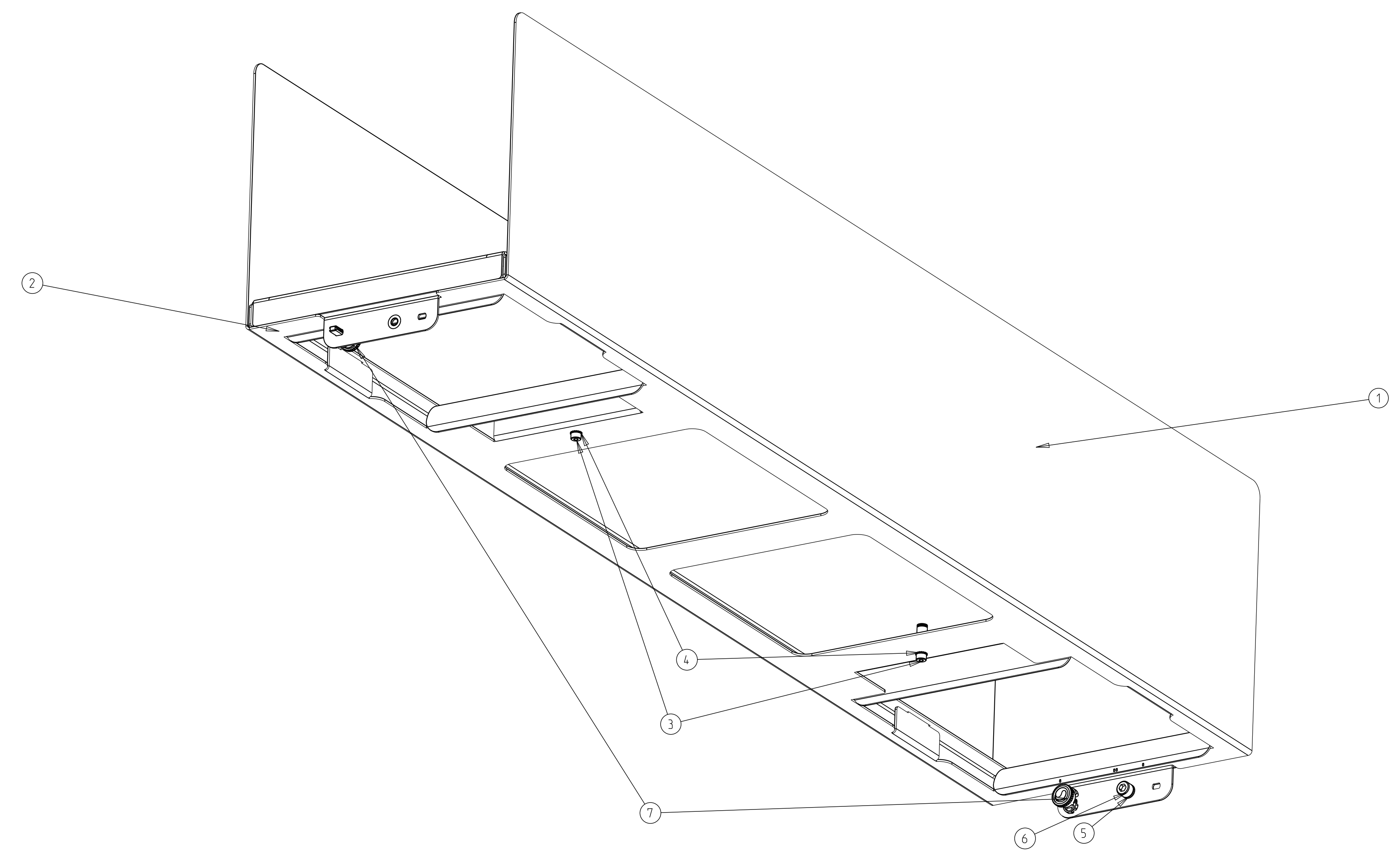
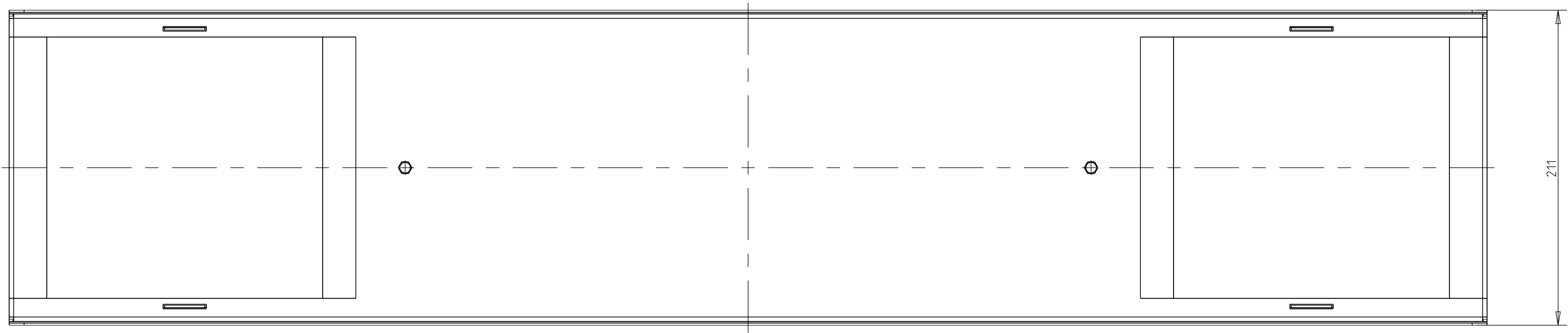
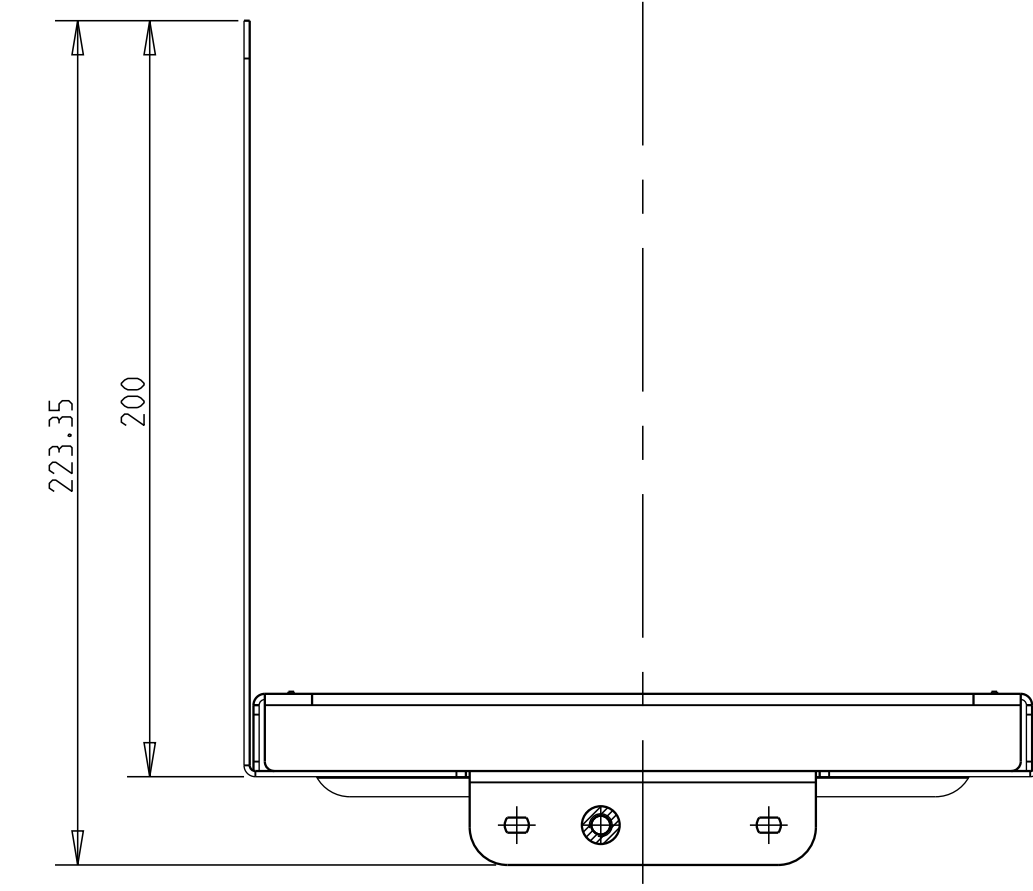
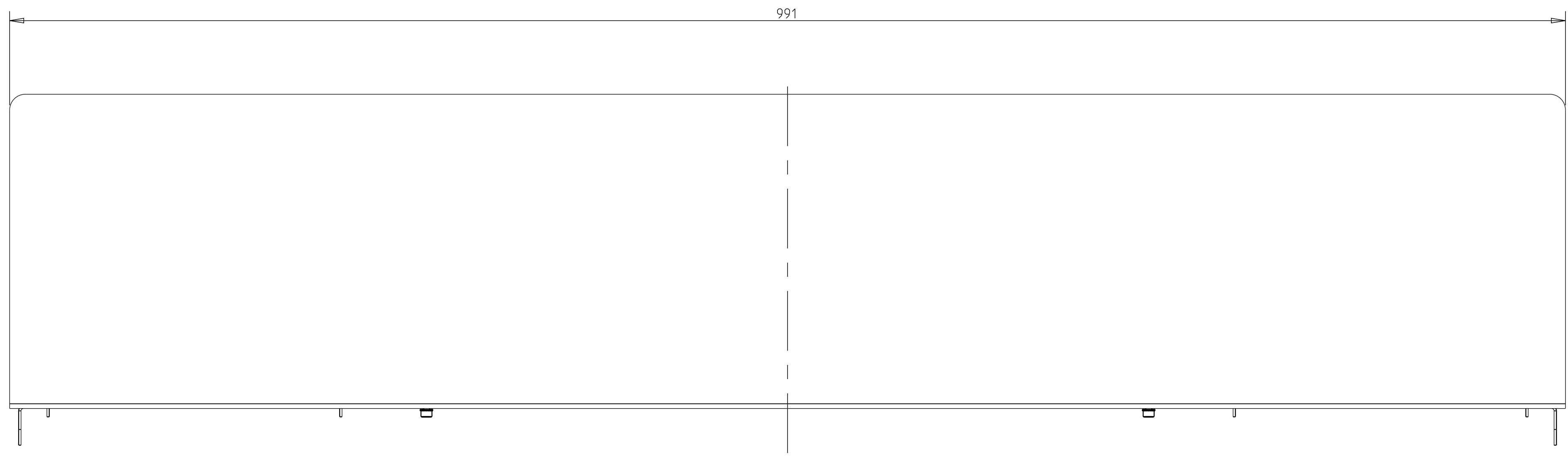


REV	DATE	DESCRIPTION	BY	CHK	APPD
IV	00				
A	170CT2011	Initial Release	ADV	HB	
B	11AAN2011	ECN 8000018048 REBRANDING	RER	SC	



QTY	DESCRIPTION	ITEM
2	Tool-Less Fastener	7
1	Socket head cap screw M6x10	6
1	Serrated washer M6, zinc plated	5
2	Washer M4, Lock, ex tooth, zinc	4
2	Screw, Socket Head, M4x10	3
1	Overhead Cabling Pathway Top	2
1	Overhead Cabling Pathway Bottom	1

Items 5, 6 and 7 are not assembled.

THIS DRAWING IS A CONTROLLED DOCUMENT. DW. DE. VIS. 170CT2011  
 CH. BLEUS 170CT2011  
 APPO. THUIS 170CT2011

**COMMSCOPE, INC.**  
 Overhead Cabling Pathway Assembly

SCALE: 1:1  
 SHEET 1 OF 1  
 REV A