

THIS DRAWING IS UNPUBLISHED.

RELEASED FOR PUBLICATION

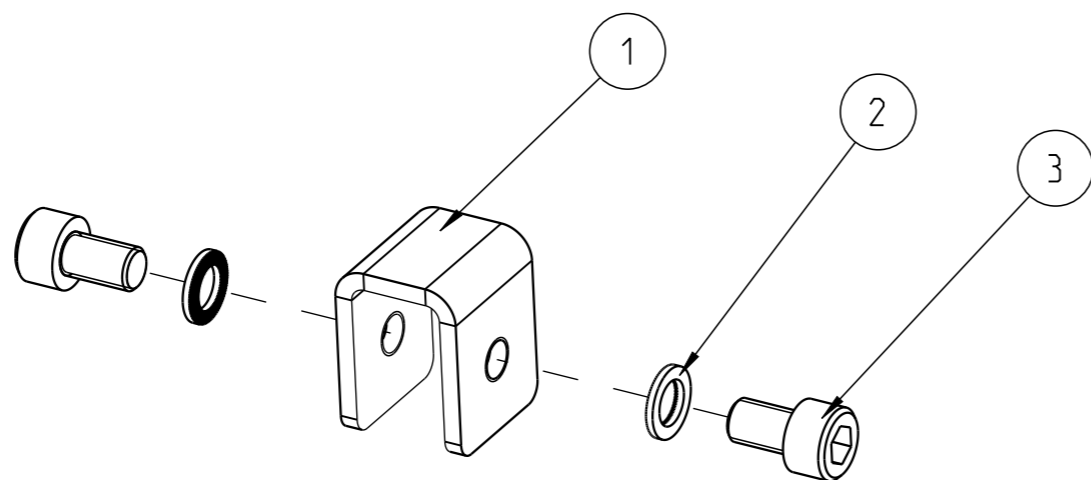
© 2016 COMMSCOPE, INC. CONFIDENTIAL

NOTICE: THESE DRAWINGS AND SPECIFICATIONS ARE THE PROPRIETARY PROPERTY OF COMMSCOPE, INC. AND MAY BE USED ONLY FOR THE SPECIFIC PURPOSE AUTHORIZED IN WRITING BY COMMSCOPE, INC.

LOC IV DIST 00

REVISIONS

P	LTR	DESCRIPTION	DATE	DWN	APVD
	A	Initial release	06JUL2011	RV	HB
	B	ECN 8000018048 REBRANDING	11JAN2017	RCR	SC



Items are not assembled.

1	Installation instruction baying kit	4
24	Socket Head Screw M6x10	3
24	Serrated Washer M6, zinc plated	2
12	Baying Bracket	1
1--1	DESCRIPTION	ITEM
QUANTITY		

THIS DRAWING IS A CONTROLLED DOCUMENT.

DIMENSIONS:	TOLERANCES UNLESS OTHERWISE SPECIFIED:
mm	
	0 PLC ±SEE TABLE
	1 PLC ±SEE TABLE
	2 PLC ±SEE TABLE
	3 PLC ±SEE TABLE
	4 PLC ±SEE TABLE
	ANGLES ±SEE TABLE
MATERIAL -	FINISH -

DWN	R.VANDOREN	06JUL2011
CHK	H.BLEUS	06JUL2011
APVD	D.THUS	06JUL2011
PRODUCT SPEC	-	-
APPLICATION SPEC	-	-
WEIGHT	-	-
CUSTOMER DRAWING		

COMMSCOPE, INC.			
Baying Kit			
SIZE	CAGE CODE	DRAWING NO	RESTRICTED TO
A3	-	©=1671587	-
SCALE 1:1		SHEET 1 OF 1	REV B