

THIS DRAWING IS UNPUBLISHED.

RELEASED FOR PUBLICATION

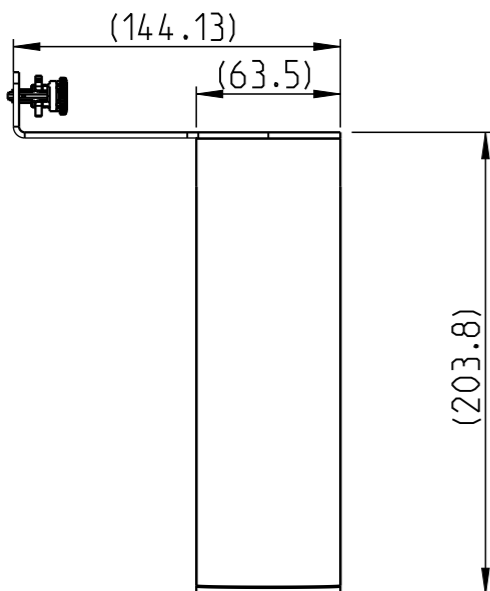
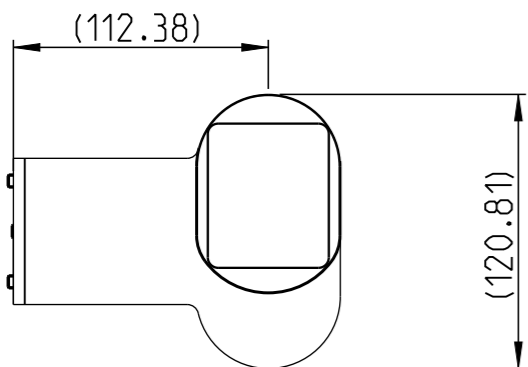
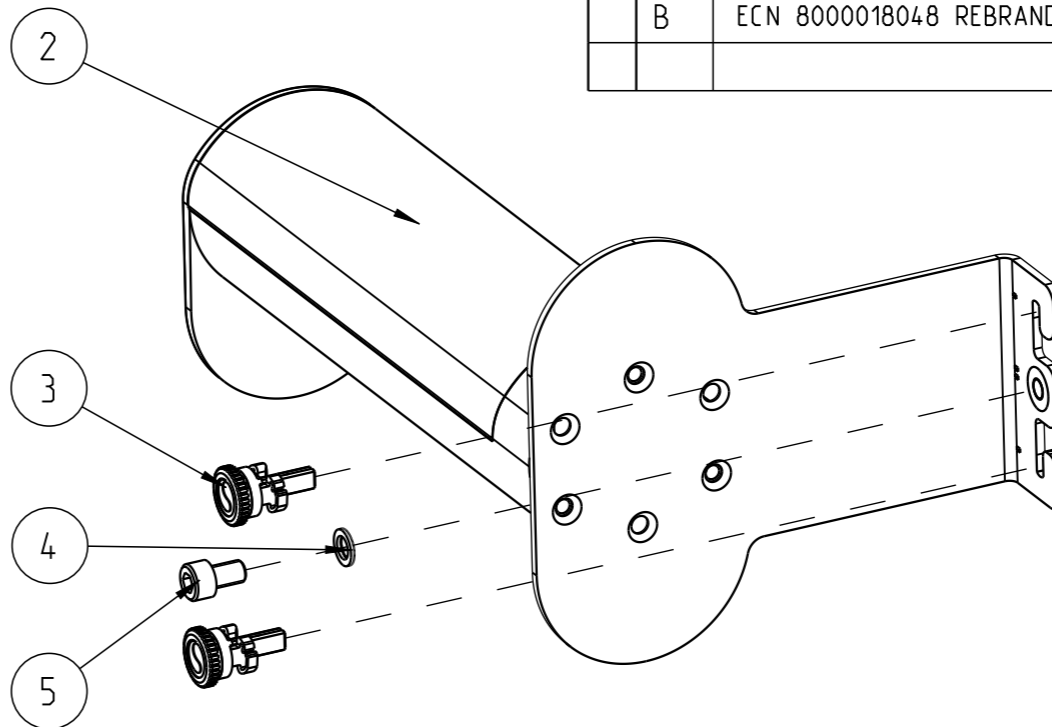
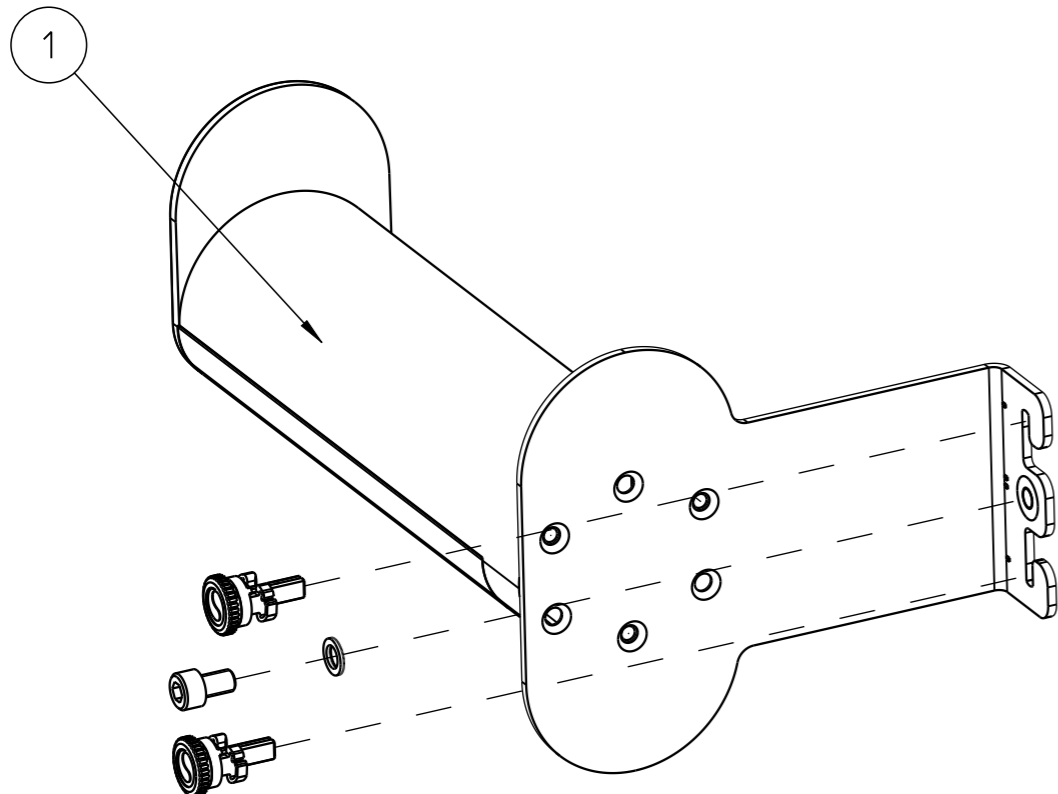
© 2016 COMMScope, INC. CONFIDENTIAL

NOTICE: THESE DRAWINGS AND SPECIFICATIONS ARE THE PROPRIETARY PROPERTY OF COMMScope, INC. AND MAY BE USED ONLY FOR THE SPECIFIC PURPOSE AUTHORIZED IN WRITING BY COMMScope, INC.

LOC IV DIST 00

REVISIONS

P	LTR	DESCRIPTION	DATE	DWN	APVD
	A	Initial release	29SEP2011	RV	HB
	A1	Instruction sheet added	29OCT2012	HB	DT
	B	ECN 8000018048 REBRANDING	11JAN2017	RCR	SC



1	Instruction sheet	6
2	Socket head cap screw M6x10	5
2	Serrated washer M6, zinc plated	4
4	Tool-less fastener	3
1	Right bracket with spool	2
1	Left bracket with spool	1
1--1	DESCRIPTION	ITEM
QTY		

THIS DRAWING IS A CONTROLLED DOCUMENT.

DWN R.VANDOREN 02SEP2011
 CHK H.BLEUS 02SEP2011
 APVD D.THUS 02SEP2011

COMMScope, INC.

NAME Brackets with spool

DIMENSIONS:	TOLERANCES UNLESS OTHERWISE SPECIFIED:
mm	
0 PLC	±SEE TABLE
1 PLC	±SEE TABLE
2 PLC	±SEE TABLE
3 PLC	±SEE TABLE
4 PLC	±SEE TABLE
ANGLES	±SEE TABLE
MATERIAL	FINISH
-	-

PRODUCT SPEC	-
APPLICATION SPEC	-
WEIGHT	-
CUSTOMER DRAWING	

SIZE	CAGE CODE	DRAWING NO	RESTRICTED TO
A3	-	C=1671610	-
SCALE	1:2	SHEET 1 OF 1	REV B