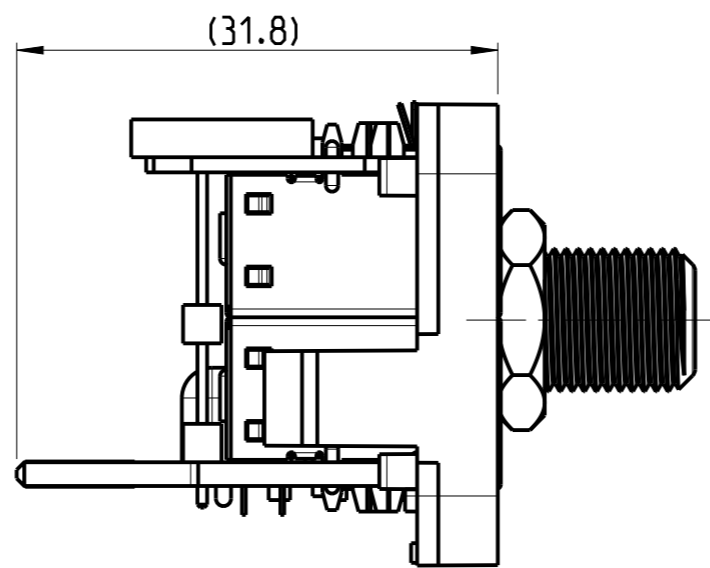
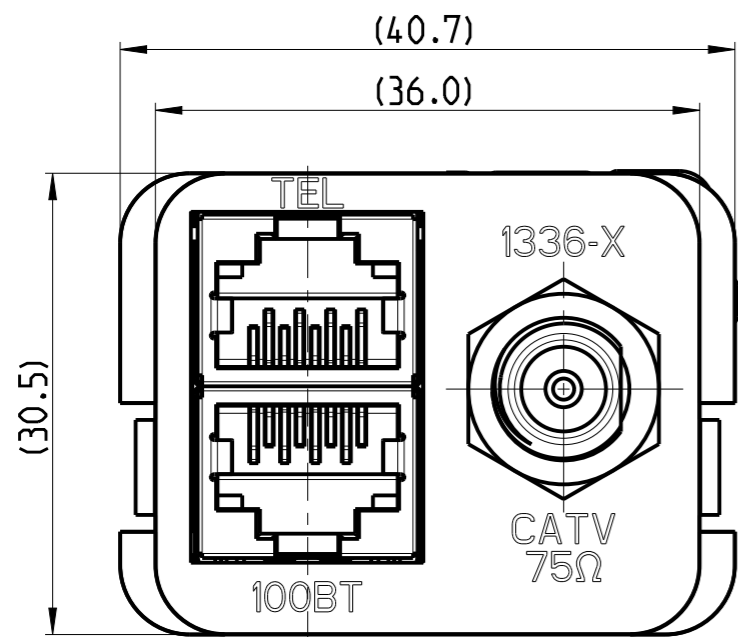
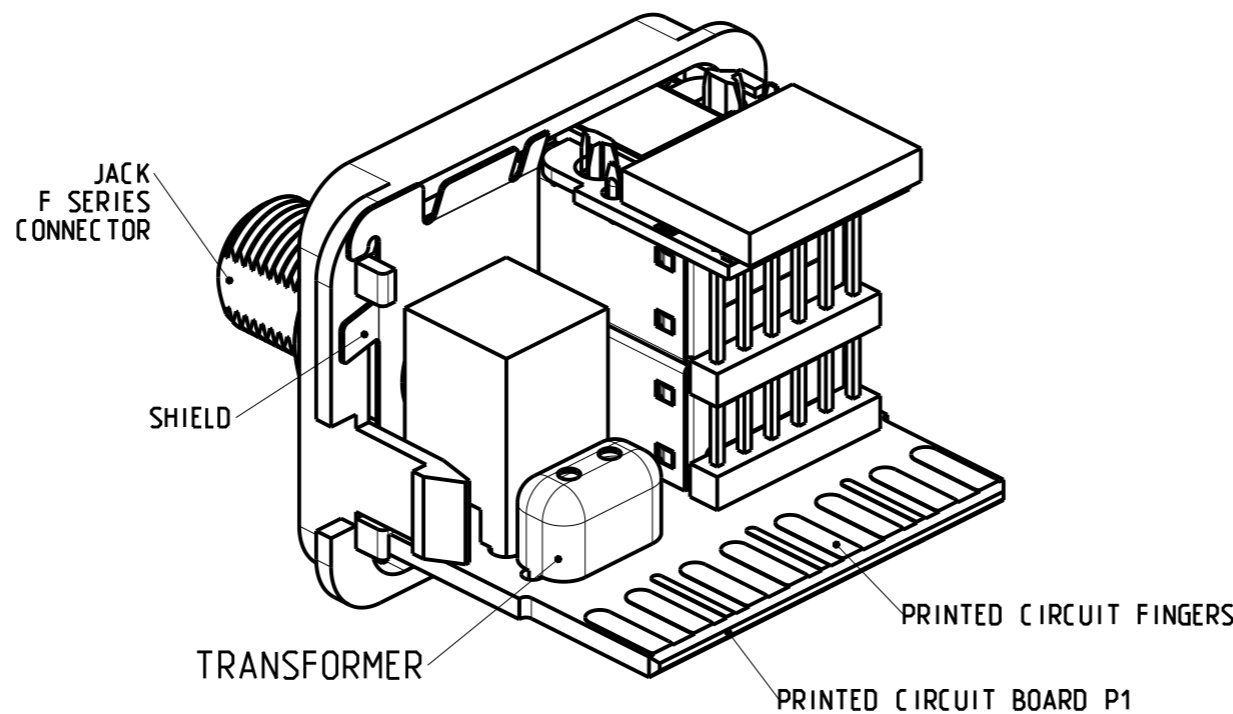
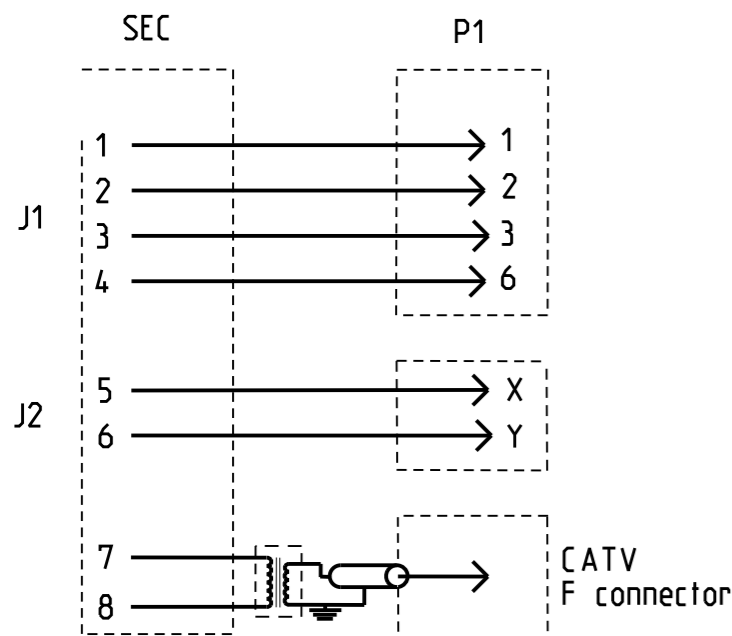
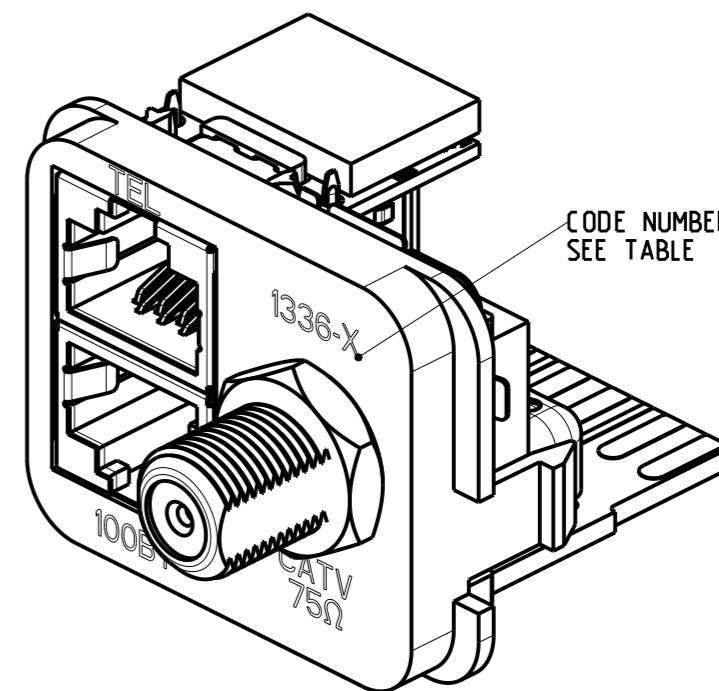


THIS DRAWING IS UNPUBLISHED. RELEASED FOR PUBLICATION  
 © 2016 COMMSCOPE, INC. CONFIDENTIAL NOTICE: THESE DRAWINGS AND SPECIFICATIONS ARE THE PROPRIETARY PROPERTY OF COMMSCOPE, INC. AND MAY BE USED ONLY FOR THE SPECIFIC PURPOSE AUTHORIZED IN WRITING BY COMMSCOPE, INC.

REVISIONS					
P	LTR	DESCRIPTION	DATE	DWN	APVD
	B	SEE ECR-13-001351	31JAN2013	LC	JS
	C	REV PER ECN 8000018968	20JAN2017	GG	LS



- 1 MATERIAL:  
 PRINTED CIRCUIT BOARD- LAMINATED PLASTIC SHEET, 1.57mm THICK  
 ADAPTER- ABS MOULDING COMPOUND, SEE TABLE  
 PRINTED CIRCUIT FINGERS- GOLD PLATE OVER NICKEL PLATE  
 GROUND PLANE- TIN BRASS
2. THIS INSERT IS DESIGNED TO MATE WITH EDGE CONNECTOR, WALLBOX AND PANEL KITS, AMP CO
3. THIS INTERCONNECT MEETS THE REQUIREMENTS OF IEC 603-7
4. ONLY TO USE WITH COMPACT BOOTS



1336-5	BLACK	WHITE	1711336-5
1336-3	WHITE	BLACK	1711336-3
1336-1	BLACK	ALMOND	1711336-1
CODE NUMBER	PRINTINGS COLOUR	ADAPTER COLOUR	PART NUMBER

THIS DRAWING IS A CONTROLLED DOCUMENT.		DWN F. CHAMORRO 20DEC05	<h1>COMMSCOPE, INC.</h1> <p>INSERT MULTIMEDIA CATV-TEL-100BT AMP CO</p>	
DIMENSIONS: mm		CHK J. SANABRA 20DEC05		
TOLERANCES UNLESS OTHERWISE SPECIFIED:		APVD J. SANABRA 04OCT06		
0 PLC ± 1 PLC ±0.2 2 PLC ±0.10 3 PLC ± 4 PLC ± ANGLES ±		PRODUCT SPEC 108-93013		
MATERIAL		FINISH	NAME	RESTRICTED TO
1		-	SIZE A3	CAGE CODE -
		WEIGHT -	DRAWING NO C-1711336	SCALE 2:1
		Customer Drawing	SHEET 1 OF 1	REV C