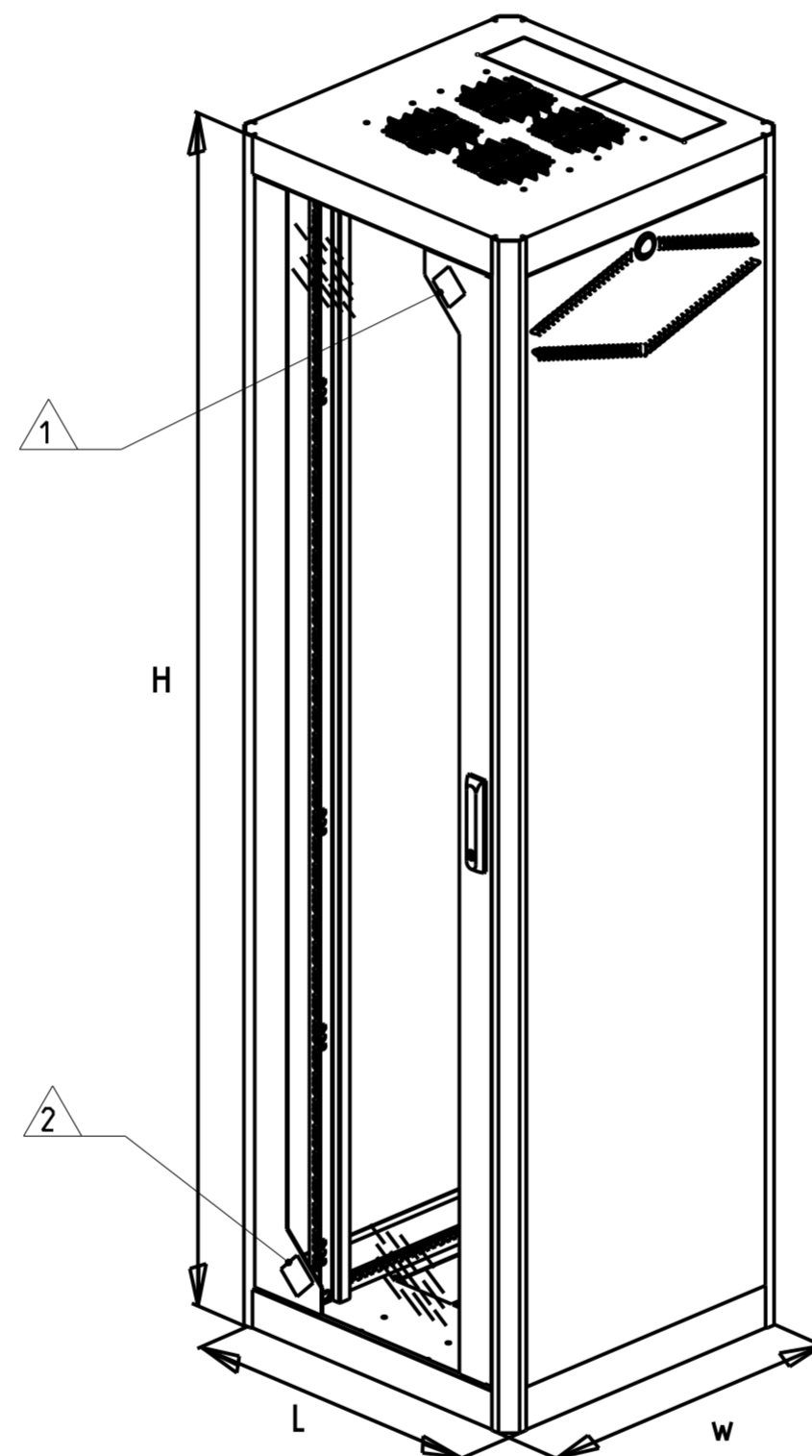


THIS DRAWING IS UNPUBLISHED
 2016 COMMSCOPE, INC. CONFIDENTIAL
 RELEASED FOR PUBLICATION
 NOTICE: THESE DRAWINGS AND SPECIFICATIONS ARE THE PROPRIETARY PROPERTY OF COMMSCOPE, INC. AND MAY BE USED ONLY FOR THE SPECIFIC PURPOSE AUTHORIZED IN WRITING BY COMMSCOPE, INC.

REVISIONS				
P	LTR	DESCRIPTION	DATE	APVD
B2		ADDED DASH 4--3	24MAR2015	RM JS
B3		40022928MCO	07JUL2015	LC JS
C		REV PER BNS_CD_BRAND	02FEB2017	GG DC

- 1 COMMSCOPE LOGO LOCATED APPROX. AS SHOWN. WHITE RAL 9010 FILLED
- 2 TEMPERED GLASS LOCKABLE FRONT DOORS, TWO WINGS (LEFT AND RIGHT):
 - open frame 2.0 mm steel - black RAL 9005
 - tempered glass lockable front door with reverse facility
 - 19" panel mount (1 pair) steel, zinc plated 2.0 mm
 - earth kit - 4 adjustable feet included
- 3 METAL LOCKABLE REAR DOORS, TWO WINGS (LEFT AND RIGHT):
 - open frame 2.0 mm steel - black RAL 9005
 - 19" panel mount (1 pair) steel, zinc plated 2.0 mm
 - earth kit - 4 adjustable feet included
- 4 FRONT PORT GLASS, REAR PORT PERFORATED:
 - grey RAL 7035
 - offset 19" mounts
 - full open base
 - top with open slotted on the sides
- 5 IMR (Intelligent Management Rack):
 - SNMP management trough ethernet internal card
 - external display
 - temperature, humidity sensors
 - fan and door remote control
- 6 FRONT AND REAR DOORS PERFORATED (75%)



42	1957	600	800	5-1711362-7	6
42	1957	600	800	4-1711362-3	4
42	1957	600	800	3-1711362-3	3
42	1957	600	800	2-1711362-3	2
47	2179	800	800	1-1711362-8	5
42	1957	800	800	1-1711362-7	5
38	1779	800	800	1-1711362-6	5
27	1290	800	800	1-1711362-5	5
47	2179	600	800	1-1711362-4	5
42	1957	600	800	1-1711362-3	5
38	1779	600	800	1-1711362-2	5
27	1290	600	800	1-1711362-1	2 5
47	2179	800	800	1711362-8	
42	1957	800	800	1711362-7	
38	1779	800	800	1711362-6	
27	1290	800	800	1711362-5	
47	2179	600	800	1711362-4	
42	1957	600	800	1711362-3	
38	1779	600	800	1711362-2	
27	1290	600	800	1711362-1	
UNITS	H (mm)	W (mm)	L (mm)	PART NUMBER	

- LOAD RATING AND SAFETY SPECIFICATION 400 KG

STANDARDS

- UNI EN 12150-1
- EN 60529 IP20
- IEC 297-1

THIS DRAWING IS A CONTROLLED DOCUMENT.		DWN L. COBACHO 07SEP2005	COMMSCOPE, INC.	
		CHK A. CARRERAS 07SEP2005		
		APVD J. SANABRA 07SEP2005	NAME RACK 800-19 INCHES	
DIMENSIONS: mm		PRODUCT SPEC -		
TOLERANCES UNLESS OTHERWISE SPECIFIED:		APPLICATION SPEC -		
0 PLC ±		SIZE A2		
1 PLC ±		CAGE CODE -		
2 PLC ±		DRAWING NO C-1711362		
3 PLC ±		RESTRICTED TO -		
4 PLC ±		SCALE -		
ANGLES ±		SHEET 1 OF 1		
FINISH		REV C		
MATERIAL		Customer Drawing		