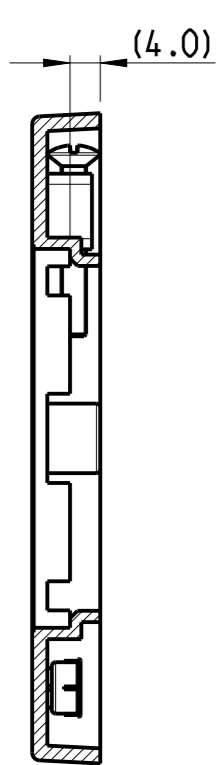
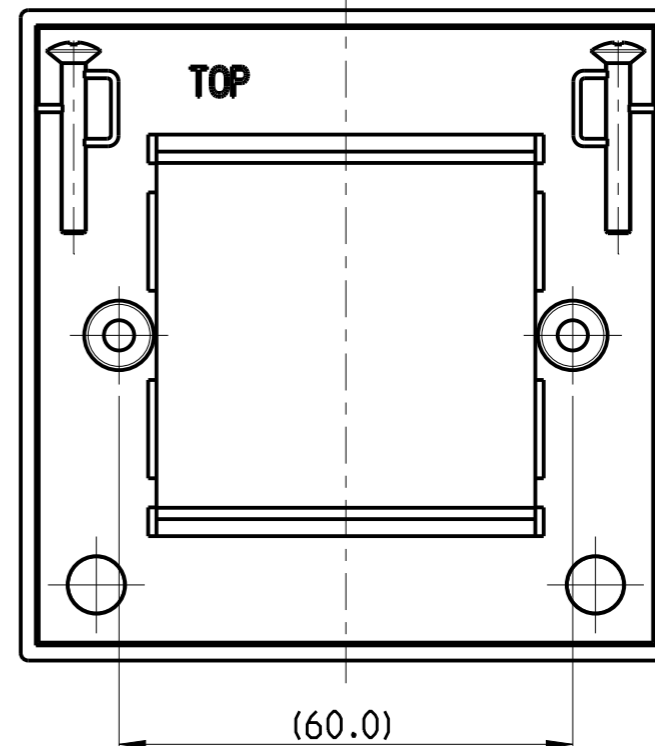
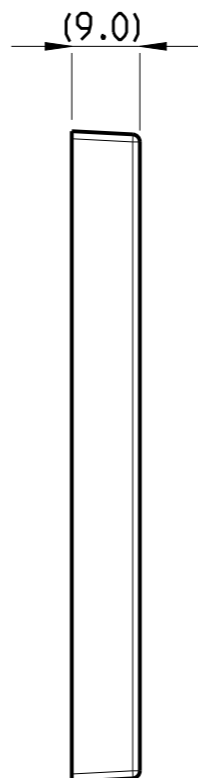
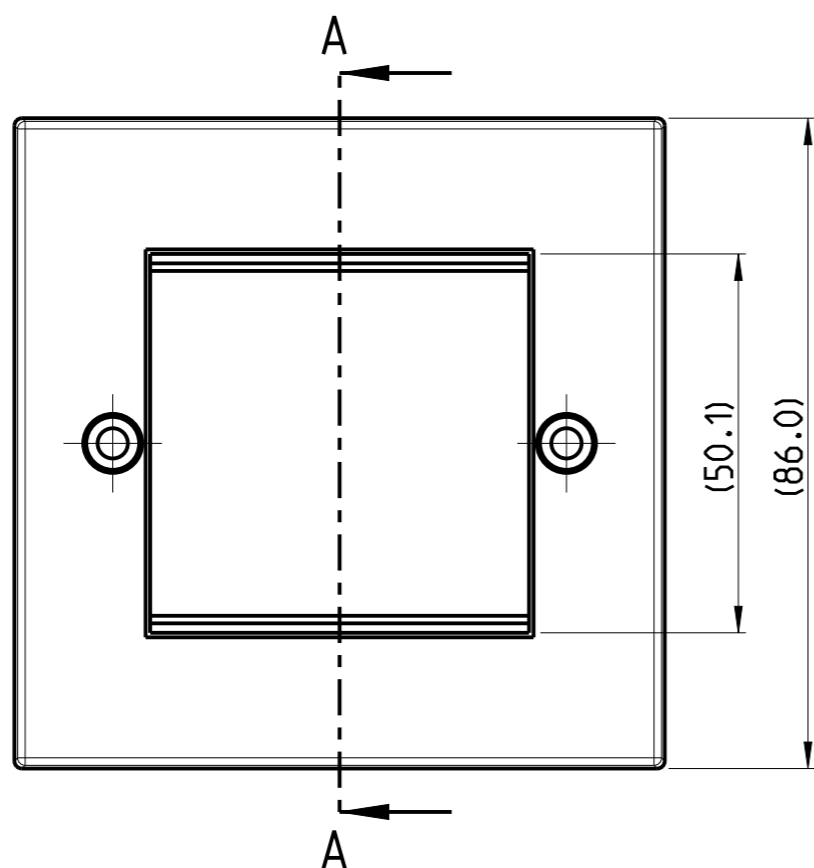


THIS DRAWING IS UNPUBLISHED  
 RELEASED FOR PUBLICATION  
 © 2016 COMMScope, INC. CONFIDENTIAL  
 NOTICE: THESE DRAWINGS AND SPECIFICATIONS ARE THE PROPRIETARY PROPERTY OF COMMScope, INC. AND MAY BE USED ONLY FOR THE SPECIFIC PURPOSE AUTHORIZED IN WRITING BY COMMScope, INC.

REVISIONS					
P	LTR	DESCRIPTION	DATE	DWN	APVD
A		DATA TABLE REMOVED	25OCT2005	MP	JS
B		REV PER BNS_CD_BRAND	02FEB2017	GG	DC

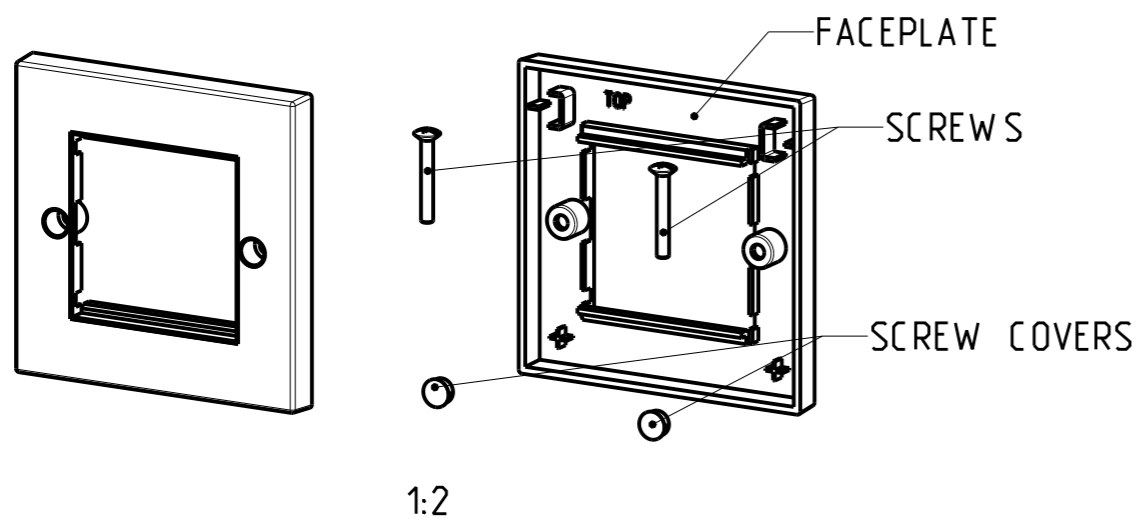


A-A



1. PRODUCT DESCRIPTION:  
SINGLE GANG UNLOADED 50x50 BS FACEPLATE
2. PLASTIC COLOUR: WHITE RAL 9003

PN 1711399-1 AS SHOWN



THIS DRAWING IS A CONTROLLED DOCUMENT.		DWN L. COBACHO 06OCT2005	<b>COMMScope, INC.</b> NAME SINGLE GANG UNLOADED 50x50 FACEPLATE					
DIMENSIONS: mm		CHK A. CARRERAS 06OCT2005				SIZE A3	CAGE CODE -	DRAWING NO C-1711399
TOLERANCES UNLESS OTHERWISE SPECIFIED:		APVD J. SANABRA 06OCT2005				RESTRICTED TO -	SCALE 1:1	
0 PLC ± 1 PLC ± 2 PLC ± 3 PLC ± 4 PLC ± ANGLES ±		PRODUCT SPEC -				SHEET 1 OF 1		
MATERIAL -		FINISH -	WEIGHT -	REV B				
Customer Drawing								