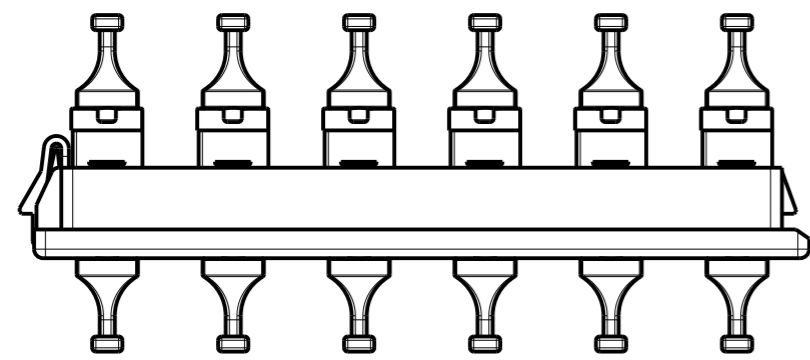
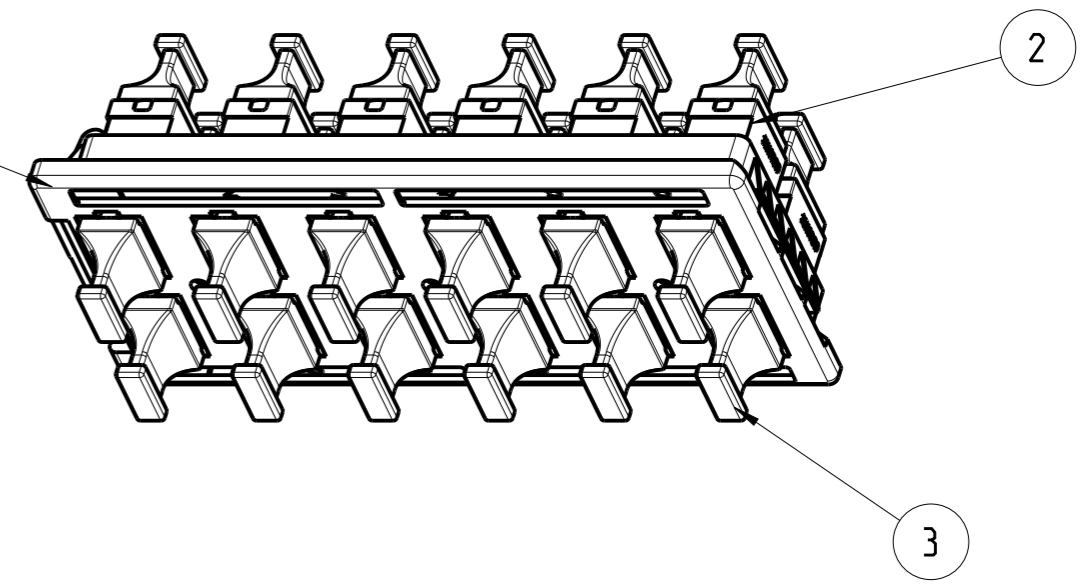
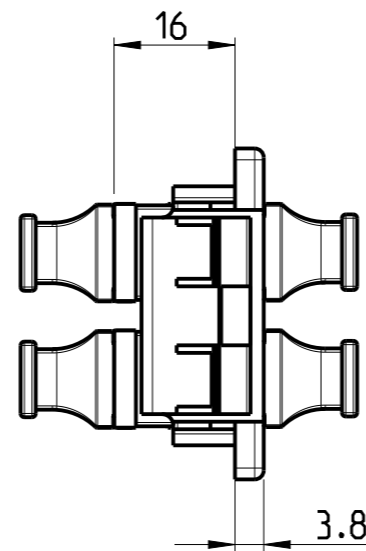
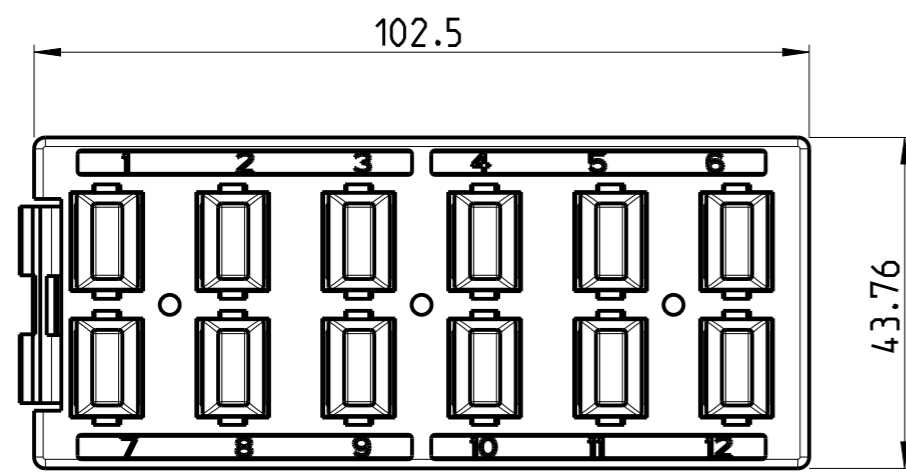


THIS DRAWING IS UNPUBLISHED. RELEASED FOR PUBLICATION

© 2016 COMMSCOPE, INC. CONFIDENTIAL NOTICE: THESE DRAWINGS AND SPECIFICATIONS ARE THE PROPRIETARY PROPERTY OF COMMSCOPE, INC. AND MAY BE USED ONLY FOR THE SPECIFIC PURPOSE AUTHORIZED IN WRITING BY COMMSCOPE, INC.

| REVISIONS |     |                      |           |     |      |
|-----------|-----|----------------------|-----------|-----|------|
| P         | LTR | DESCRIPTION          | DATE      | DWN | APVD |
|           | A   | INITIAL RELEASE      | 19JAN2011 | RM  | JS   |
|           | A1  | ADDED PORT NUMBERING | 14JUN2011 | RM  | JS   |
|           | A2  | PART RELEASED        | 27SEP2011 | RM  | JS   |
|           | B   | REV PER BNS_CD_BRAND | 07FEB2017 | GG  | DC   |

1. ITEMS 1,2 AND 3 SUPPLIED ASSEMBLED



| QTY | DESCRIPTION                | ITEM |
|-----|----------------------------|------|
| 24  | FOAC PLUG DUCT CAP         | 3    |
| 12  | ADAPTER, MPO, SC FOOTPRINT | 2    |
| 1   | QUICK FIT HOUSING 12XMPO   | 1    |

|   |  |                             |   |                         |                    |
|---|--|-----------------------------|---|-------------------------|--------------------|
| THIS DRAWING IS A CONTROLLED DOCUMENT.                          |  | DWN<br>R.MATEO<br>19JAN2011 | <h2 style="text-align: center;">COMMSCOPE, INC.</h2> <h3 style="text-align: center;">QUICK FIT HOUSING 12XMPO COUPLER ASSY</h3> |                         |                    |
| DIMENSIONS:<br>mm   |  | CHK<br>A.PUELL<br>19JAN2011 |   |                         |                    |
| TOLERANCES UNLESS OTHERWISE SPECIFIED:                          |  | APVD<br>J.SANABRA           |   |                         |                    |
| 0 PLC ±<br>1 PLC ±<br>2 PLC ±<br>3 PLC ±<br>4 PLC ±<br>ANGLES ± |  | PRODUCT SPEC<br>-           |   |                         |                    |
| MATERIAL<br>-   |  | FINISH<br>-                 | APPLICATION SPEC<br>-   | WEIGHT<br>-             | SIZE<br>A3         |
| CUSTOMER DRAWING  |  |                             | CAGE CODE<br>-  | DRAWING NO<br>C-1711987 | RESTRICTED TO<br>- |
|   |  |                             | SCALE<br>1:1  | SHEET<br>1 OF 1         | REV<br>B           |