

4

3

2

1

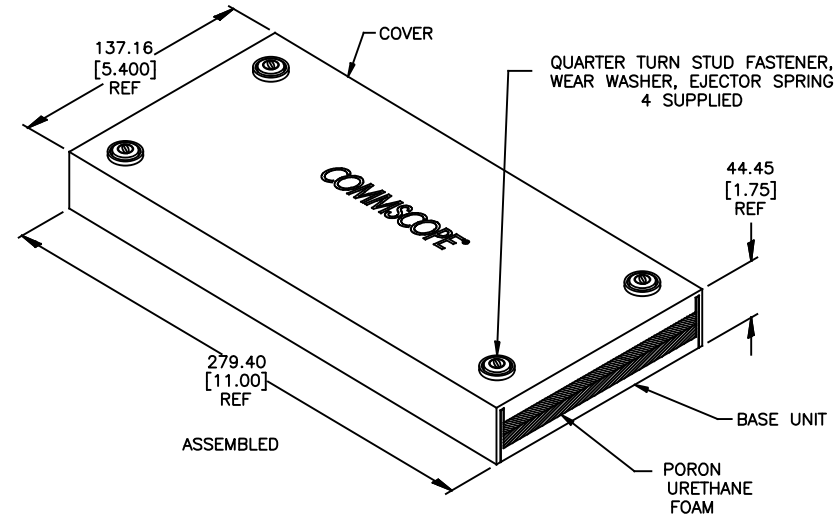
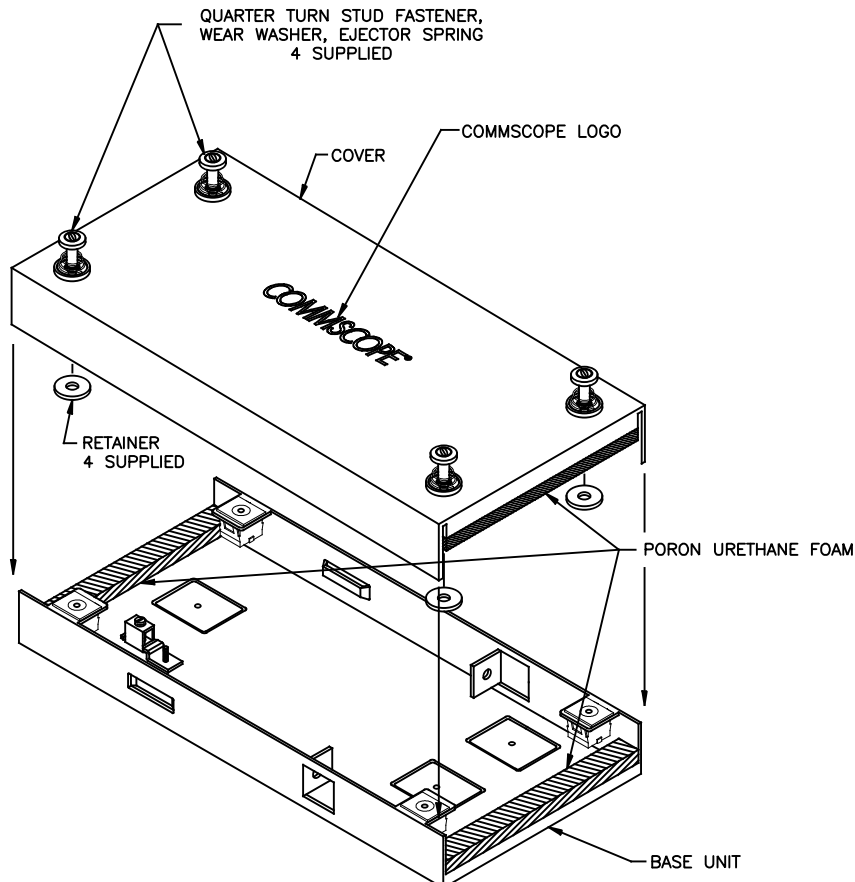
THIS DRAWING IS UNPUBLISHED. RELEASED FOR PUBLICATION

© 2016 Commscope, INC. Confidential

NOTE: These drawings and specifications are the property of COMMSCOPE, INC. and may be used only for the specific purpose authorized in writing by COMMSCOPE, INC.

LOC	DIST	REVISIONS				
		REV	DESCRIPTION	DATE	DRW	APPD
HM	00	C	REV. ECO-15-004826	24MAR2015	GG	TE
		D	REV PER ECN 8000018234	01FEB2017	GG	TE

- ENCLOSURE HAS 3 EMBOSSED MOUNTING HOLES ON BASE UNIT.
- PORON FOAM ON BOTH ENDS (4 PLACES)
- HOLDS ONE (1) FIBER OPTIC CASSETTE.
- MOUNTING HARDWARE INCLUDED:
(3) #8 X .50 LG/ TYPE AB PAN HEAD SCREWS
- FINISH: BLACK POWDER COAT, MEDIUM TEXTURE.
- TOOLHEAD RECESS KEY PROVIDED WITH -2 ASSEMBLY.



6	TOOL	1777215-2
	PHILLIPS	1777215-1
	STUD HEAD SIZES	PART NO.

THIS DRAWING IS A CONTROLLED DOCUMENT.		DRW	L HALL	16MAY2008	COMMSCOPE, INC.	
DIMENSIONS:		CHK	J. HOFFER	21MAY08	EAZ ENCLOSURE	
mm[INCHES]		APPD	J. HOFFER	21MAY08	-	
TOLERANCES UNLESS OTHERWISE SPECIFIED:		NAME		-		
0 PLC	± .00	PRODUCT SPEC		-		
1 PLC	± .01	APPLICATION SPEC		-		
2 PLC	± .02	SIZE		A2		
3 PLC	± .03	CAGE CODE		-		
4 PLC	± .04	DRAWING NO		©=1777215		
ANGLES	± .01	RESTRICTED TO		-		
MATERIAL	16 AWG ALUMINUM	WEIGHT		-		
FINISH	BLACK POWDER COATED	CUSTOMER DRAWING		SCALE NTS SHEET 1 of 1 REV D		