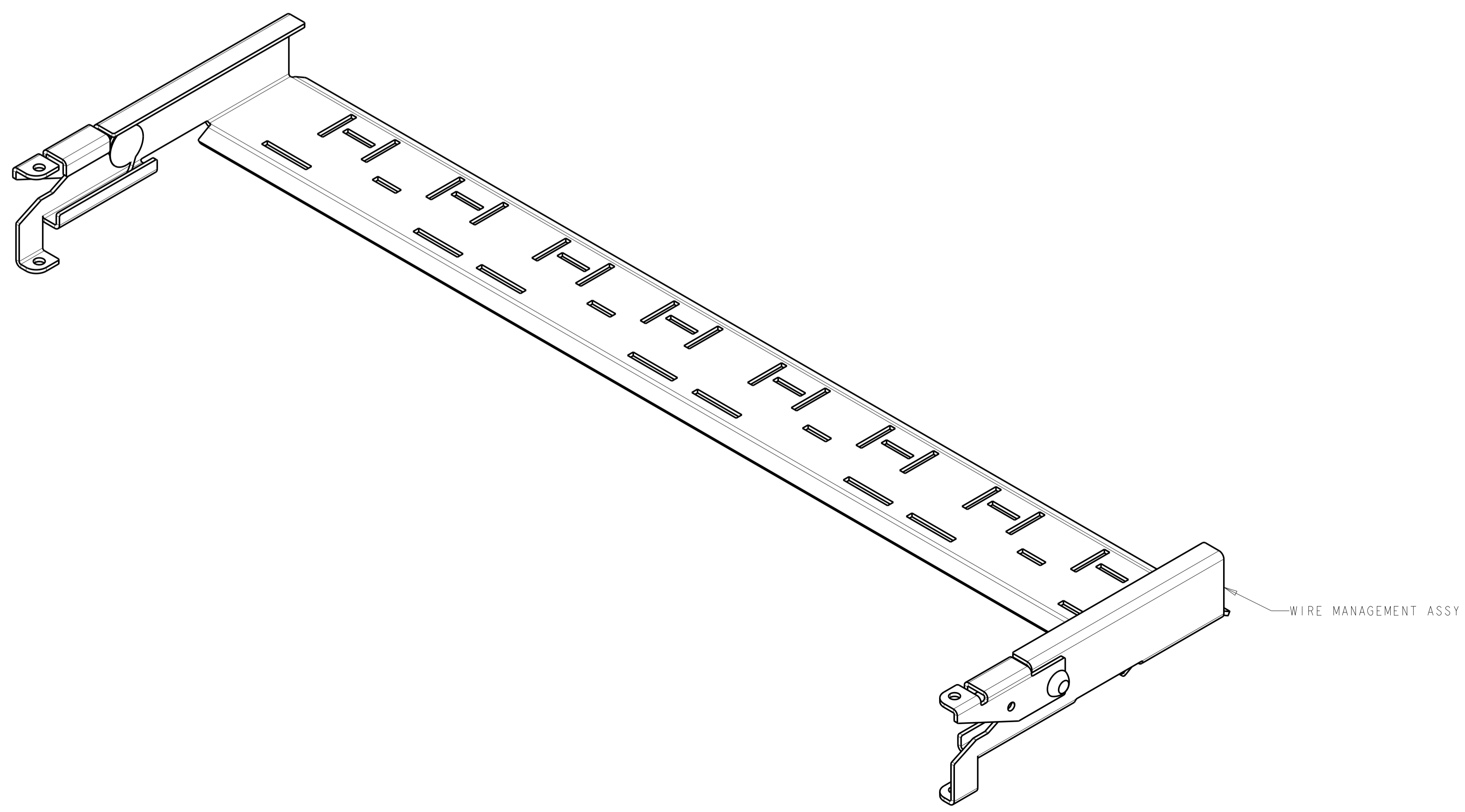
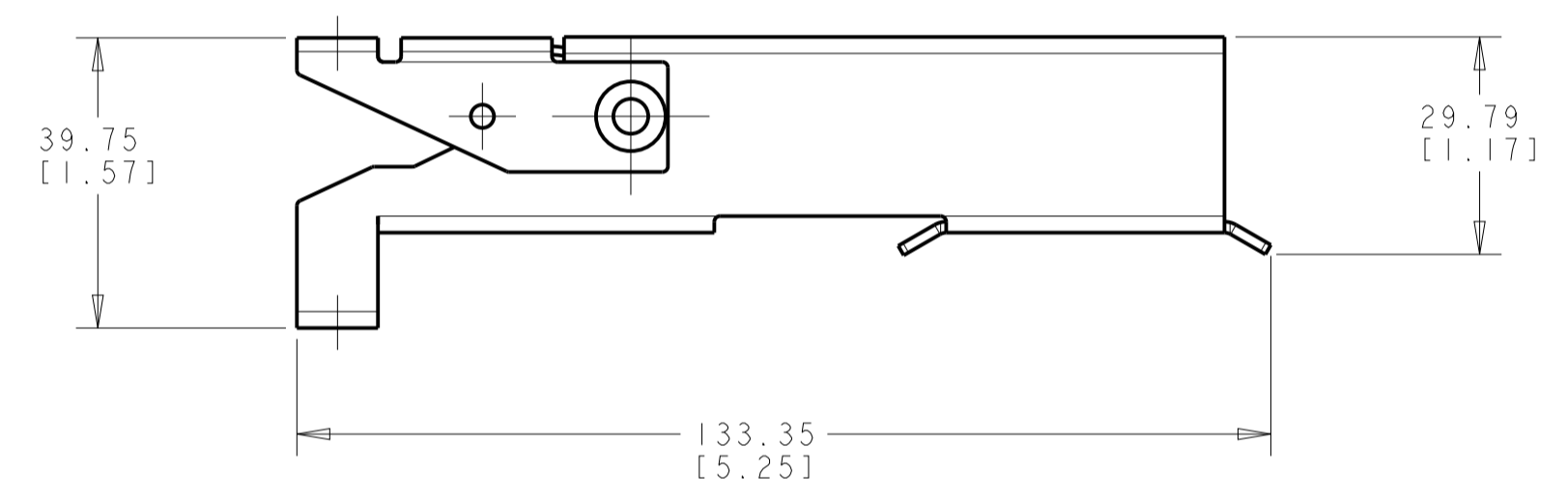
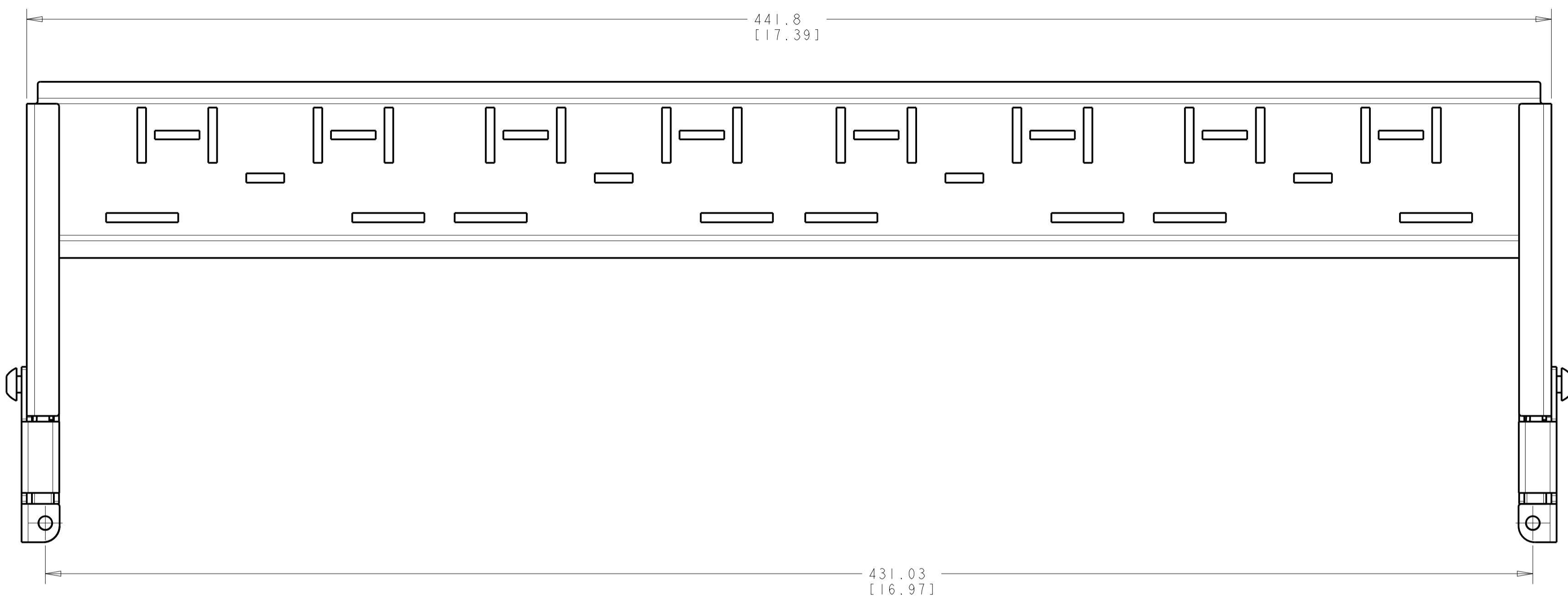


REVISIONS				
REV	LTN	DESCRIPTION	DATE	APP'D
A		RLSD; ECO-07-027318	04DEC2007	GG SH
B		REV PER BNS_CD_BRAND	07FEB2017	GG DC



1933425-1
PART NUMBER

THIS DRAWING IS A CONTROLLED DOCUMENT.		DWN J MCNEAL 14NOV2007 CHK S HERNDON 14NOV2007 APVD S HERNDON 14NOV2007	COMMSCOPE, INC. IU CABLE MANAGEMENT ASSEMBLY	
DIMENSIONS: mm [INCHES]	TOLERANCES UNLESS OTHERWISE SPECIFIED: 0 PLC ± 1 PLC ± 2 PLC ± 3 PLC ± 4 PLC ± ANGLES ±	PRODUCT SPEC APPLICATION SPEC WEIGHT CUSTOMER DRAWING	SIZE A1 C=1933425 SCALE 1:1	RESTRICTED TO SHEET 1 OF 1 REV B