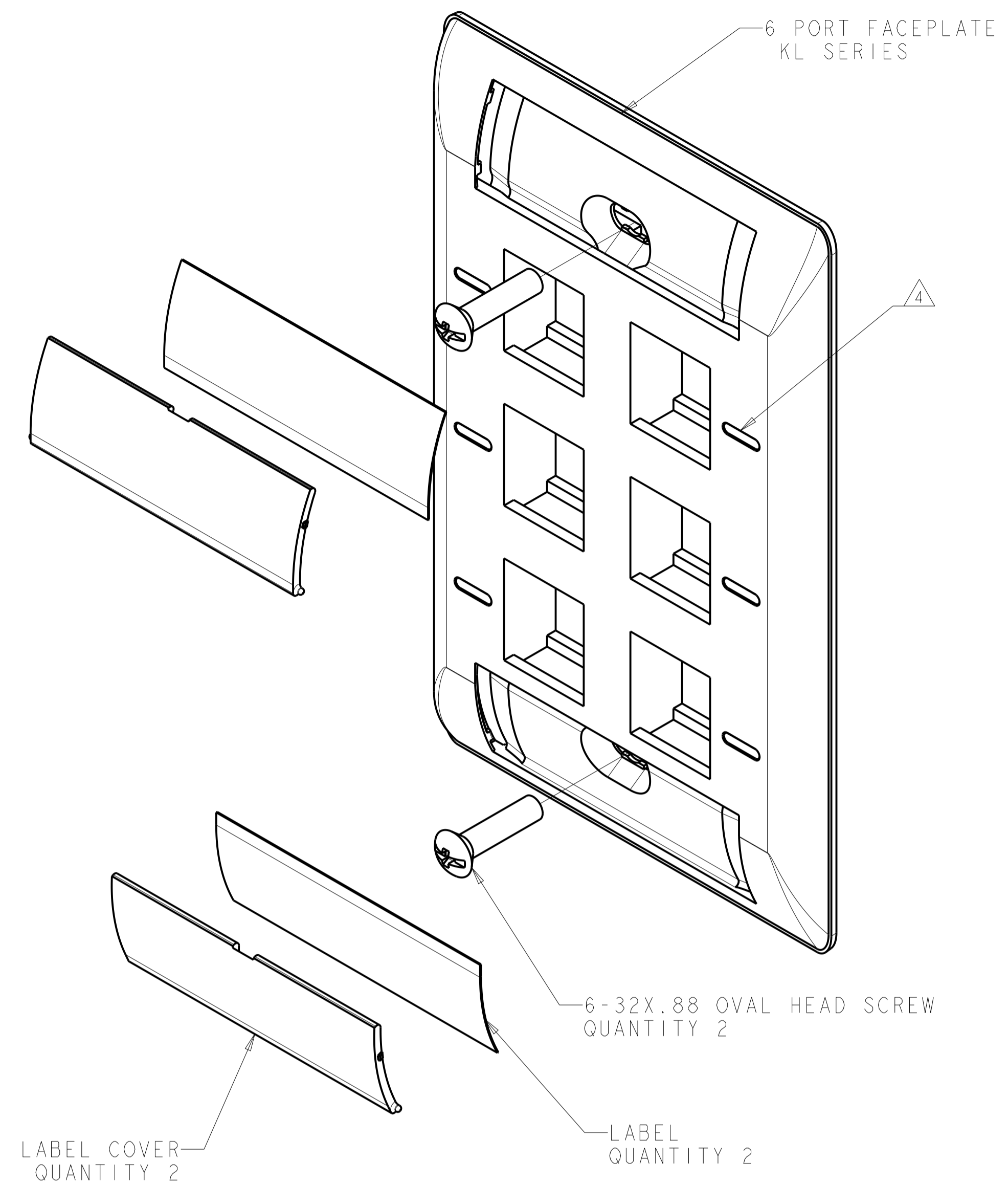
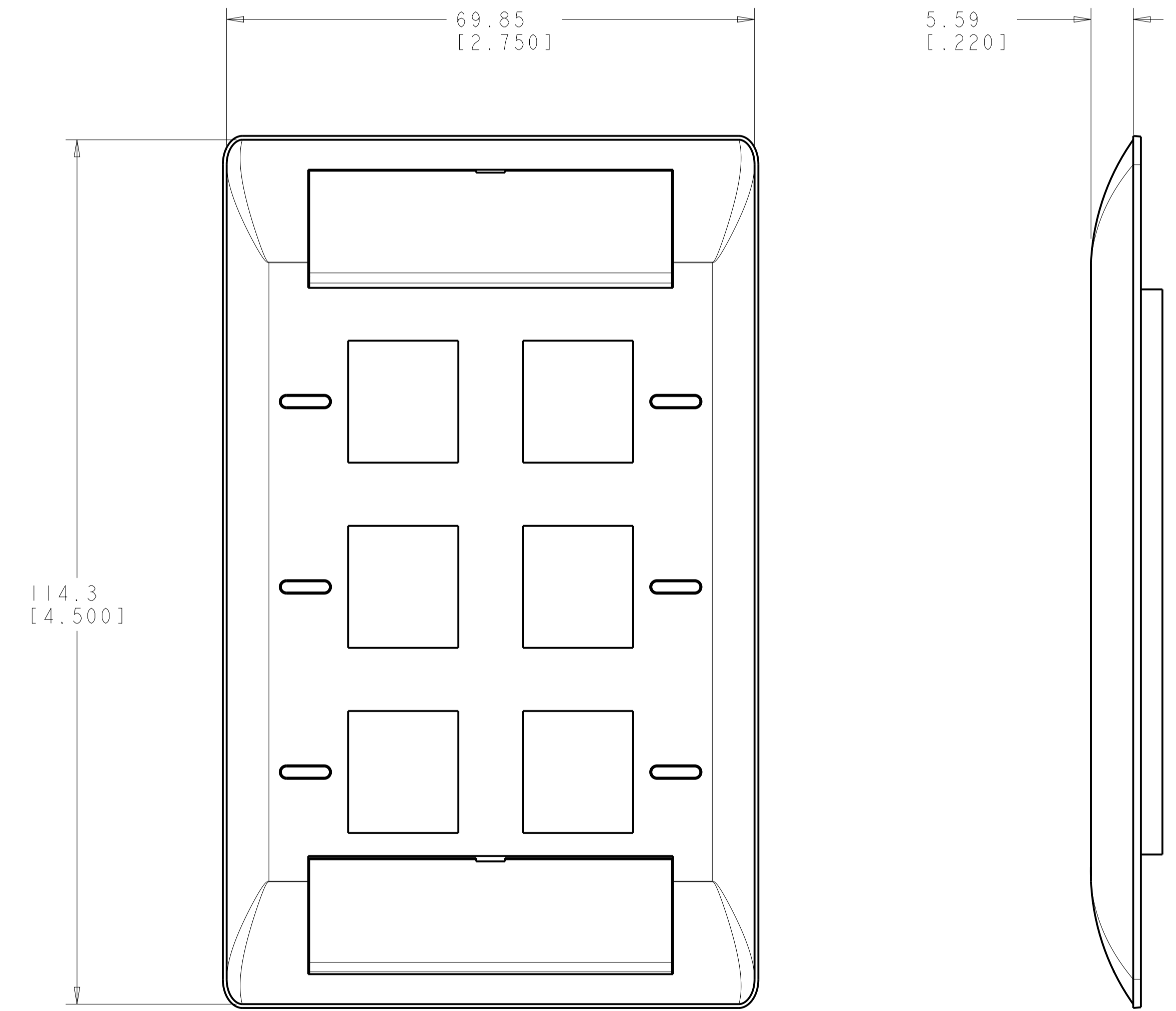


REVISIONS				
REV	LTN	DESCRIPTION	DATE	APP'D
A		RLSD; ECO-10-003803	09FEB2010	GG RA
B		REV; ECO-10-005392	10MAR2010	GG RA
C		REV PER BNS_CD_BRAND	01FEB2017	GG DC



- ⚠ DIMENSIONS ARE NOMINAL UNLESS OTHERWISE SPECIFIED.
- ⚠ MATERIAL:
FACEPLATE - POLYCARBONATE MOLDING COMPOUND. SEE TABLE FOR COLORS.
SCREWS - ZINC PLATED CARBON STEEL.
LABEL COVER - POLYCARBONATE MOLDING COMPOUND, CLEAR.
LABEL - WHITE INDEX PAPER.
- 3. THIS KIT SHIPPED NOT ASSEMBLED.
- ⚠ MOLD OVER ICON FEATURE.



ALPINE WHITE	1-2111040-3
ELECTRIC IVORY	1-2111040-1
NEMA GRAY	2111040-4
WHITE	2111040-3
BLACK	2111040-2
LIGHT ALMOND	2111040-1
COLOR	PART NUMBER

THIS DRAWING IS A CONTROLLED DOCUMENT.		DWN: G. GARRETT 31MAR2009 CHK: R. ASHBY 31MAR2009 APP'D: R. ASHBY 31MAR2009	COMMSCOPE, INC. NAME: KIT, FACEPLATE, COMMERCIAL, SINGLE GANG, 6 PORT, KL SERIES	
DIMENSIONS: MM [INCHES] 0 PLC ± 1 PLC ± 2 PLC ± 3 PLC ± 4 PLC ± ANGLES ±	TOLERANCES UNLESS OTHERWISE SPECIFIED: ± ± ± ± ±	PRODUCT SPEC APPLICATION SPEC WEIGHT CUSTOMER DRAWING	SIZE: A1 CAGE CODE: C=2111040 SCALE: 2:1	SHEET 1 OF 1 REV C