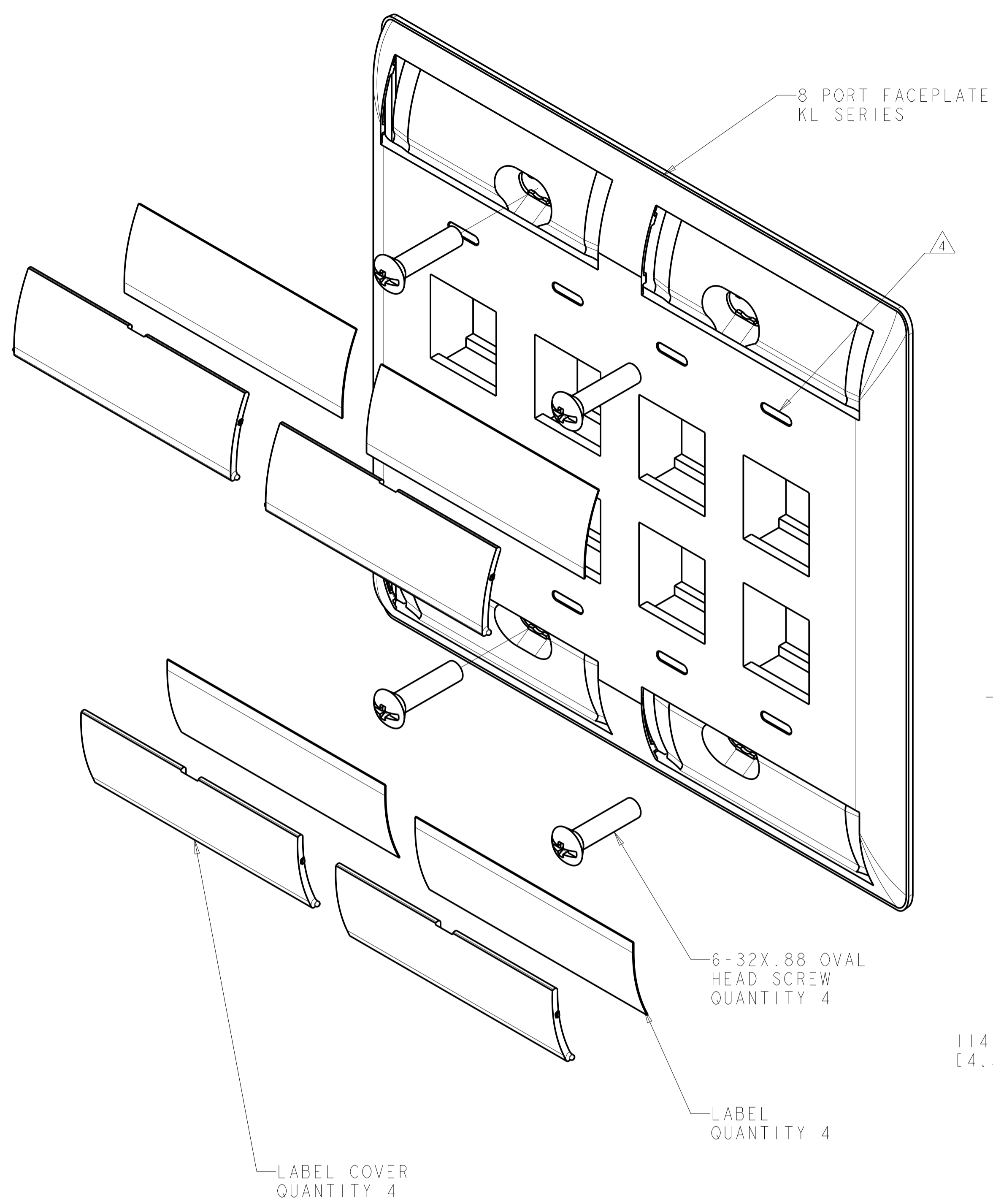
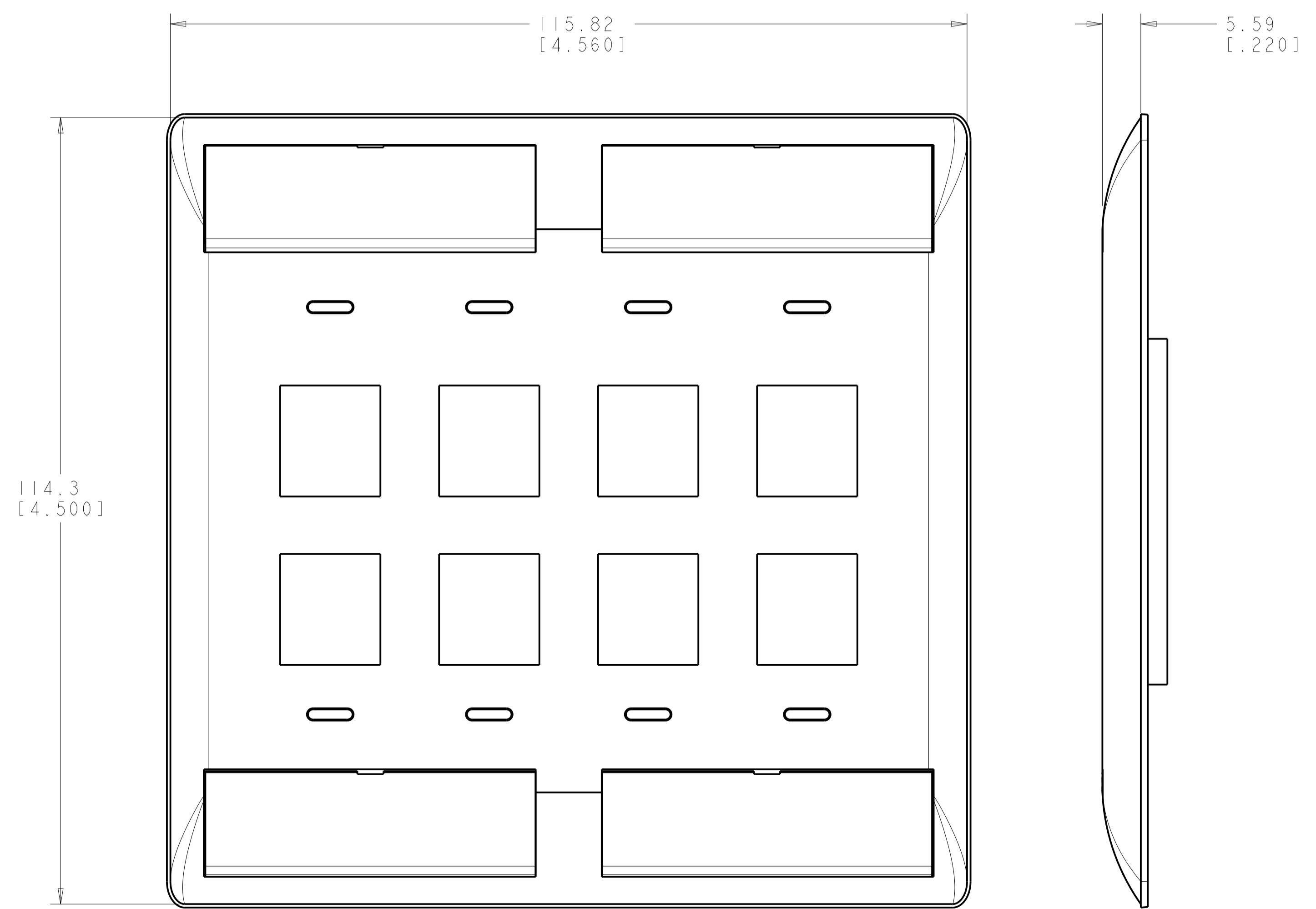


REVISIONS				
P.	LTN	DESCRIPTION	DATE	APP'D
A		RLSD; ECO-10-003803	09FEB2010	GG RA
B		REV; ECO-10-005392	10MAR2010	GG RA
C		REV PER BNS_CD_BRAND	01FEB2017	GG DC



- 1. DIMENSIONS ARE NOMINAL UNLESS OTHERWISE SPECIFIED.
- 2. MATERIAL:  
 FACEPLATE - POLYCARBONATE MOLDING COMPOUND. SEE TABLE FOR COLORS.  
 SCREWS - ZINC PLATED CARBON STEEL.  
 LABEL COVER - POLYCARBONATE MOLDING COMPOUND, CLEAR.  
 LABEL - WHITE INDEX PAPER.
- 3. THIS KIT SHIPPED NOT ASSEMBLED.
- 4. MOLD OVER ICON FEATURE.



ALPINE WHITE	1-2111042-3
ELECTRIC IVORY	1-2111042-1
NEMA GRAY	2111042-4
WHITE	2111042-3
BLACK	2111042-2
LIGHT ALMOND	2111042-1
COLOR	PART NUMBER

THIS DRAWING IS A CONTROLLED DOCUMENT.		DWN: G. GARRETT 31MAR2009 CHK: R. ASHBY 31MAR2009 APP'D: P. ASHBY 31MAR2009	<b>COMMSCOPE, INC.</b> NAME: KIT, FACEPLATE, COMMERCIAL, DOUBLE GANG, 8 PORT, KL SERIES	
DIMENSIONS: MM [INCHES] TOLERANCES UNLESS OTHERWISE SPECIFIED: 0 PLC ± 1 PLC ± 2 PLC ± 3 PLC ± 4 PLC ± ANGLES ±	FINISH: ± ANGLE: ±	PRODUCT SPEC: - APPLICATION SPEC: - WEIGHT: - CUSTOMER DRAWING	SIZE: A1 CAGE CODE: - DRAWING NO: C=2111042 SCALE: 2:1 SHEET: 1 OF 1 REV: C	RESTRICTED TO