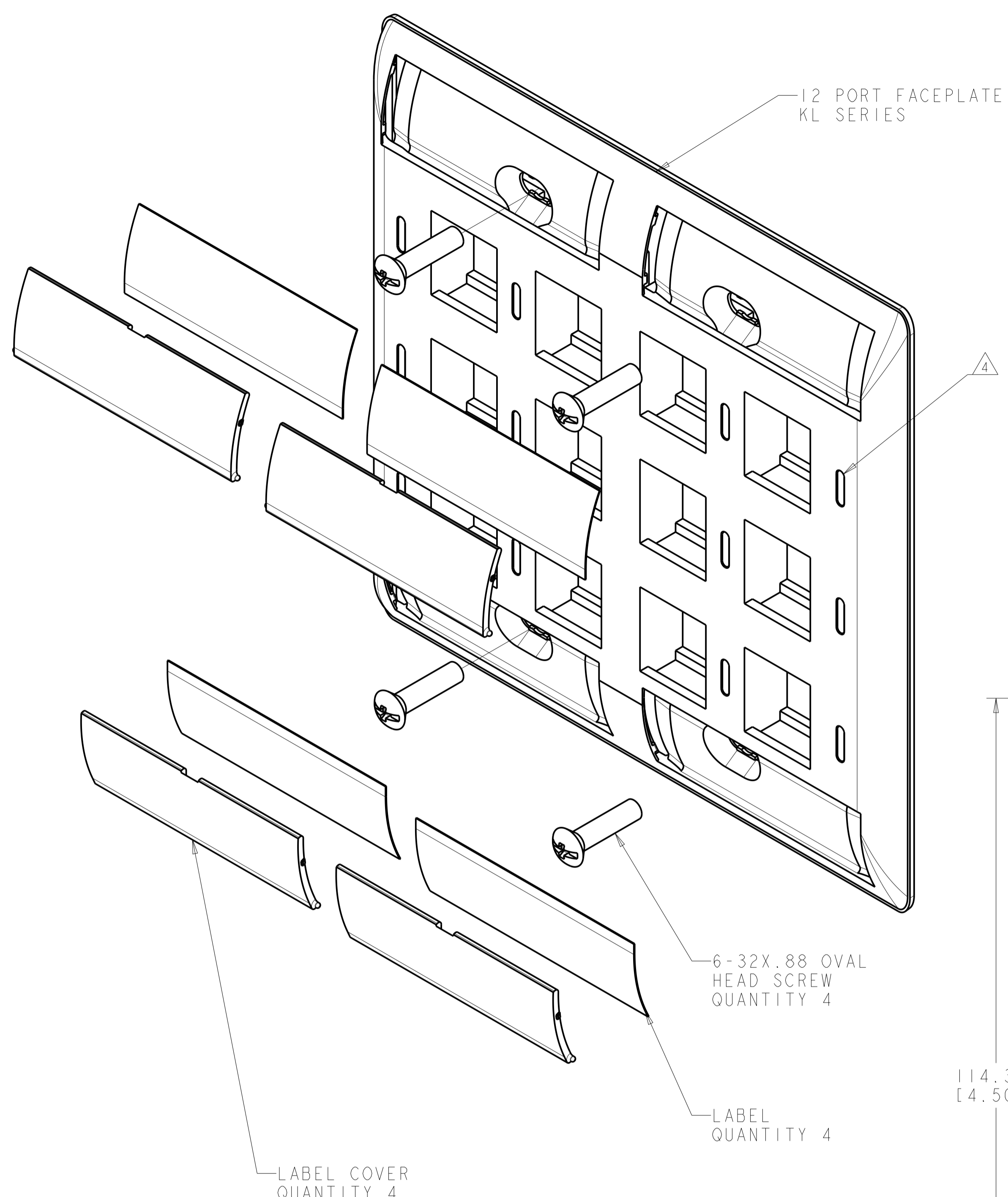
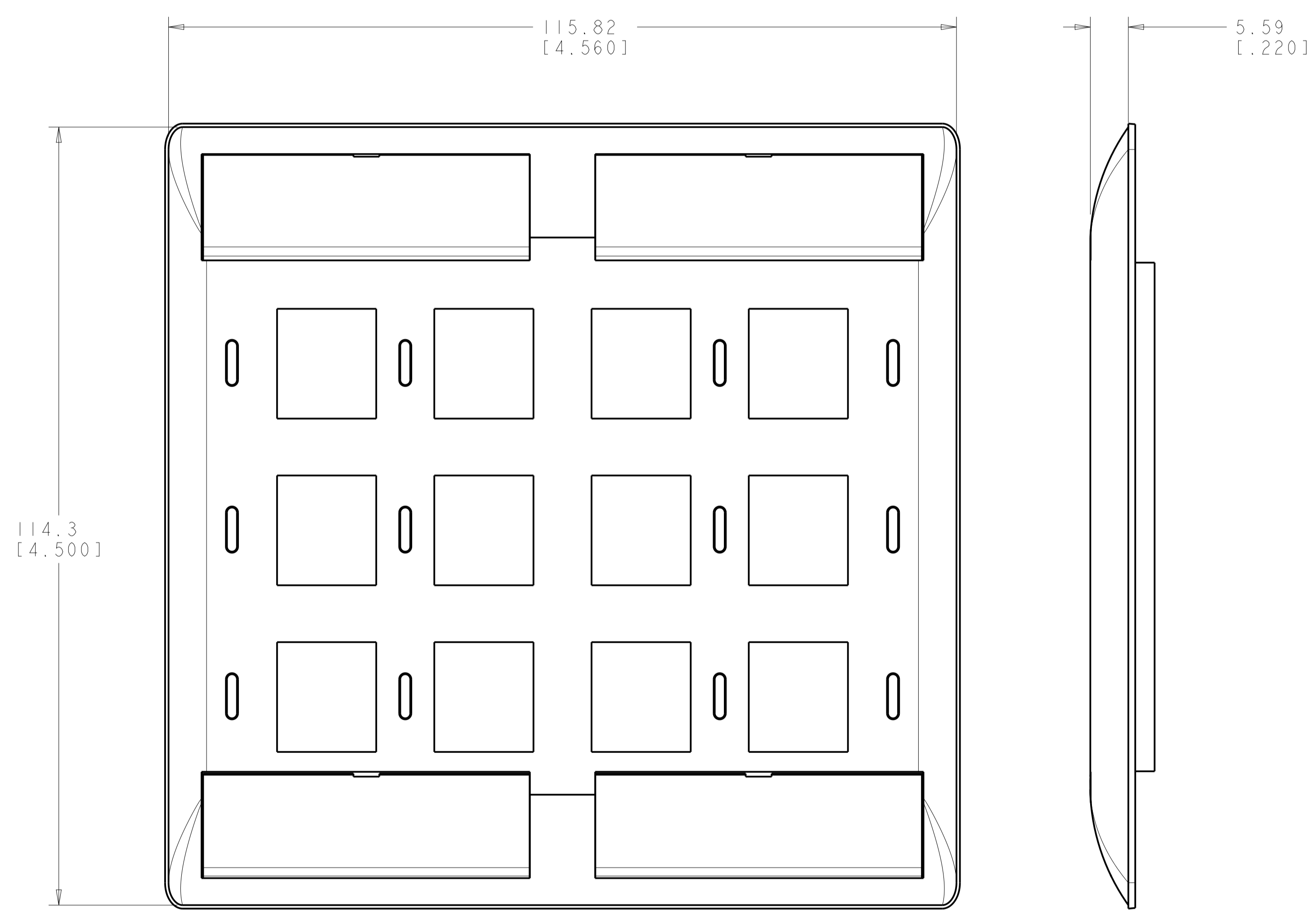


REVISIONS				
REV	LTN	DESCRIPTION	DATE	APP'D
A	RLSD;	ECO-10-003803	09FEB2010	GG RA
B	REV;	ECO-10-005392	10MAR2010	GG RA
C	REV PER	BNS_CD_BRAND	01FEB2017	GG DC



- 1. DIMENSIONS ARE NOMINAL UNLESS OTHERWISE SPECIFIED.
- 2. MATERIAL:
 FACEPLATE - POLYCARBONATE MOLDING COMPOUND. SEE TABLE FOR COLORS.
 SCREWS - ZINC PLATED CARBON STEEL.
 LABEL COVER - POLYCARBONATE MOLDING COMPOUND, CLEAR.
 LABEL - WHITE INDEX PAPER.
- 3. THIS KIT SHIPPED NOT ASSEMBLED.
- 4. MOLD OVER ICON FEATURE.



ALPINE WHITE	1-2111043-3
ELECTRIC IVORY	1-2111043-1
NEMA GRAY	2111043-4
WHITE	2111043-3
BLACK	2111043-2
LIGHT ALMOND	2111043-1
COLOR	PART NUMBER

THIS DRAWING IS A CONTROLLED DOCUMENT.		OWN: G. GARRETT 31MAR2009	COMMSCOPE, INC.	
DIMENSIONS: MM [INCHES]		CHK: R. ASHBY 31MAR2009	KIT, FACEPLATE, COMMERCIAL, DOUBLE GANG, 12 PORT, KL SERIES	
TOLERANCES UNLESS OTHERWISE SPECIFIED:		APP'D: P. ASHBY 31MAR2009	NAME	
0 PLC	±	PRODUCT SPEC	-	
1 PLC	±	APPLICATION SPEC	-	
2 PLC	±	WEIGHT	-	
3 PLC	±	CUSTOMER DRAWING	-	
4 PLC	±	SCALE	2:1	
ANGLES	±	SHEET	1 OF 1	
FINISH	±	REV	C	