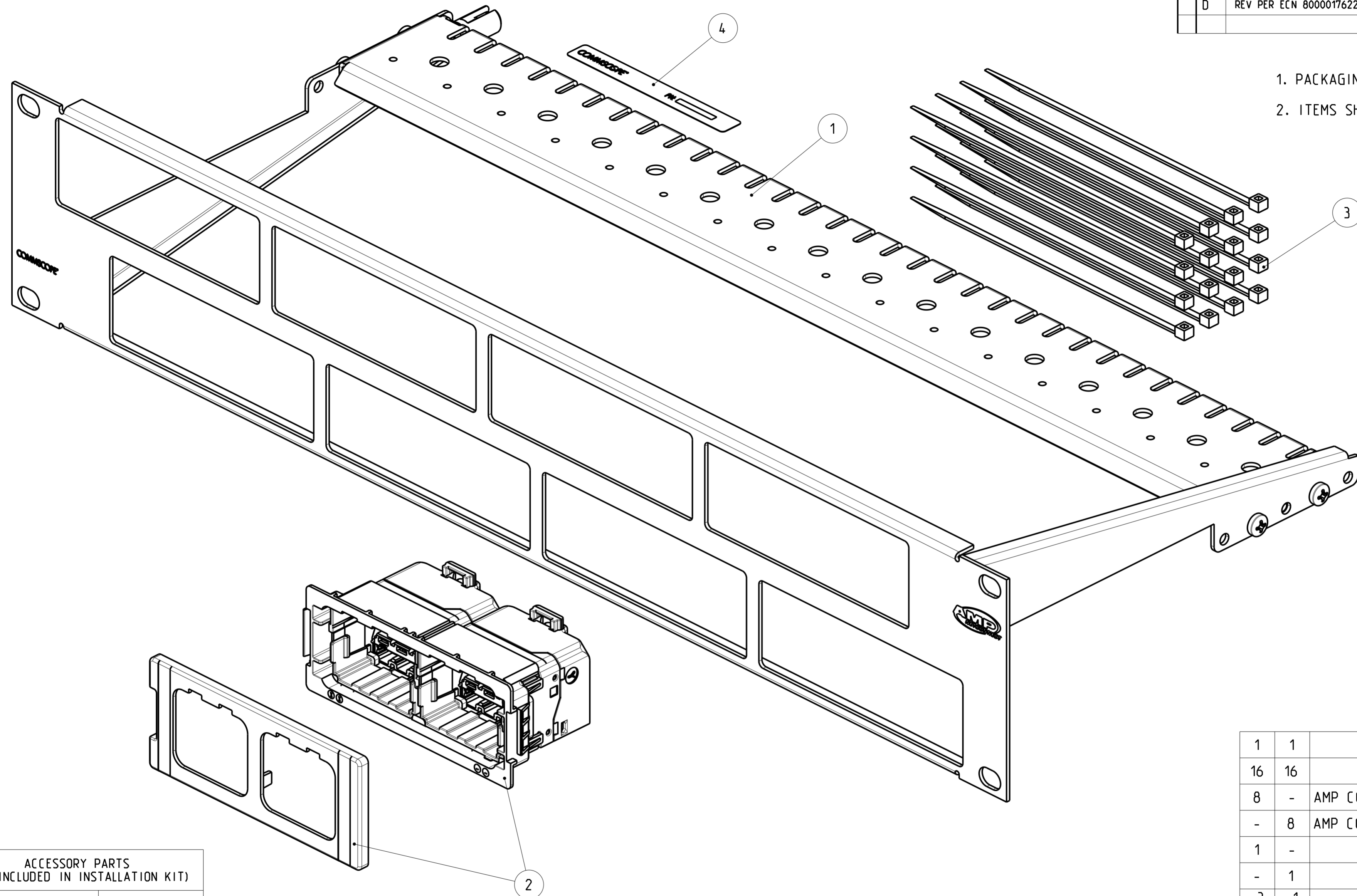


THIS DRAWING IS UNPUBLISHED
 RELEASED FOR PUBLICATION 2013
 © 2016 COMMSCOPE INC. CONFIDENTIAL AMP España, S.L. NOTICE: THESE DRAWINGS AND SPECIFICATIONS ARE THE PROPRIETARY PROPERTY OF COMMSCOPE, INC. AND MAY BE USED ONLY FOR THE SPECIFIC PURPOSE AUTHORIZED IN WRITING BY COMMSCOPE, INC.

REVISIONS				
P	LTR	DESCRIPTION	DATE	APVD
B1		ADDED NEW -1	26JUN2012	LC JS
C		SEE ECR-13-015498	09OCT2013	LC JS
D		REV PER ECN 8000017622	14DEC2016	GG AS



- 1. PACKAGING ACC. TO SPEC.
- 2. ITEMS SHIPPED NOT ASSEMBLED

ACCESSORY PARTS
(NOT INCLUDED IN INSTALLATION KIT)

DESCRIPTION	PART NUMBER
AMP CO INSERTS	SEE CATALOGUE
LABELS FOR AMP CO DUAL INSERTS	2-0101021-X
IDENTIFICATION ICONS	Y-0558176-X Y-0558198-X Y-0558199-X Y-0558821-X Y-1375092-X

REQUIRED TOOL FOR TERMINATION
(NOT INCLUDED IN INSTALLATION KIT)

DESCRIPTION	PART NUMBER
PISTOL-GRIP TOOL	1711500-1
ADAPTER FOR AMP CO	1711784-1
ALTERNATIVE TOOL: IMPACT TOOL	1375308-1 1583608-1

QTY	DESCRIPTION	ITEM
1	PN LABEL	4
16	CABLE TIE	3
8	AMP CO ULTRA QUICK-FIT KIT /B	2
-	AMP CO ULTRA QUICK-FIT KIT /A	
1	PATCH PANEL /B	1
-	PATCH PANEL /LG	
-3	-1	

THIS DRAWING IS A CONTROLLED DOCUMENT.

DIMENSIONS:	TOLERANCES UNLESS OTHERWISE SPECIFIED:
mm	0 PLC ± 1 PLC ± 2 PLC ± 3 PLC ± 4 PLC ± ANGLES ± FINISH
MATERIAL	-

DWN	L. COBACHO	31MAY2012
CHK	A. CARRERAS	31MAY2012
APVD	J. SANABRA	31MAY2012
PRODUCT SPEC	108-93037	
APPLICATION SPEC	114-93024	
WEIGHT	-	
Customer Drawing		

COMMSCOPE, INC.			
NAME			
AMP CO ULTRA QUICK-FIT 16 PORT PATCH PANEL			
SIZE	CAGE CODE	DRAWING NO	RESTRICTED TO
A2	-	C-2153113	-
SCALE	1:1	SHEET	1 OF 1
REV	D		