

THIS DRAWING IS UNPUBLISHED.
© 2016 COMMSCOPE, INC. CONFIDENTIAL

RELEASED FOR PUBLICATION
NOTICE: THESE DRAWINGS AND SPECIFICATIONS ARE THE PROPRIETARY PROPERTY OF COMMSCOPE, INC. AND MAY BE USED ONLY FOR THE SPECIFIC PURPOSE AUTHORIZED IN WRITING BY COMMSCOPE, INC.

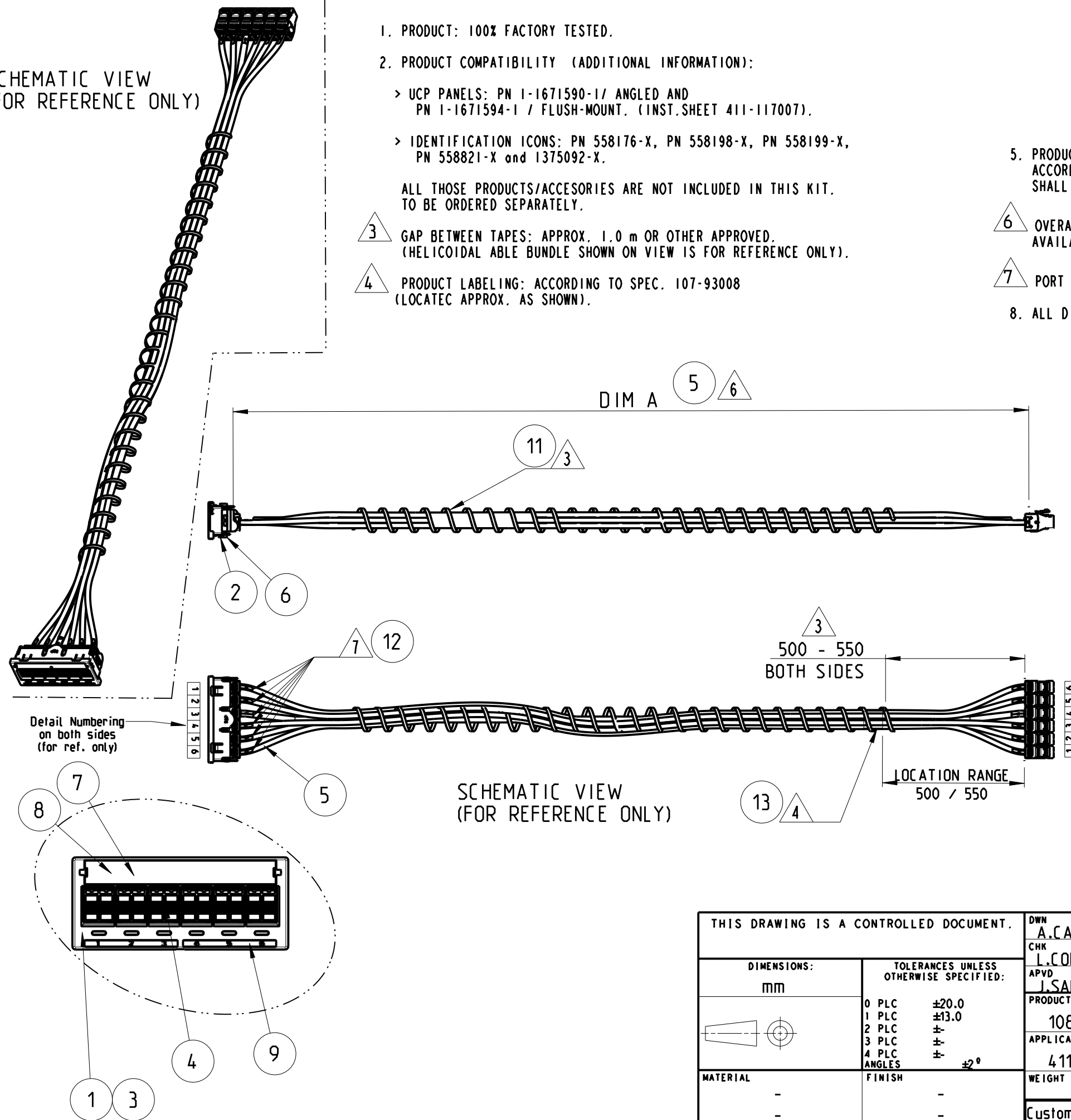
REVISIONS

| P | LTR | DESCRIPTION | DATE | DWN | APVD |
|---|-----|-----------------------|-----------|-----|------|
| A | | FIRST ISSUE. RELEASED | 05FEB2014 | ACG | JS |
| B | | ECR-15-000067. | 12JAN2015 | ACG | JS |
| C | | REV PER BNS_CD_BRAND | 06FEB2017 | GG | DC |

SCHEMATIC VIEW
(FOR REFERENCE ONLY)

- PRODUCT: 100% FACTORY TESTED.
 - PRODUCT COMPATIBILITY (ADDITIONAL INFORMATION):
 - > UCP PANELS: PN 1-1671590-1 / ANGLED AND PN 1-1671594-1 / FLUSH-MOUNT. (INST.SHEET 411-117007).
 - > IDENTIFICATION ICONS: PN 558176-X, PN 558198-X, PN 558199-X, PN 558821-X and 1375092-X.
- ALL THOSE PRODUCTS/ACCESORIES ARE NOT INCLUDED IN THIS KIT. TO BE ORDERED SEPARATELY.
- △ 3 GAP BETWEEN TAPES: APPROX. 1.0 m OR OTHER APPROVED. (HELICOIDAL ABL E BUNDLE SHOWN ON VIEW IS FOR REFERENCE ONLY).
 - △ 4 PRODUCT LABELING: ACCORDING TO SPEC. 107-93008 (LOCATEC APPROX. AS SHOWN).

- PRODUCT PACKAGING: ACCORDING TO PACK. SPEC. 107-117011, WITH CORRESPONDING LABEL. SHALL CONFORM TO SPEC. 107-64
- △ 6 OVERALL LENGTH OF CABLE ASSEMBLY (DIM A): Min. -0, Max: +2% AVAILABLE LENGTHS: Refer to COMMSCOPE Catalogue.
- △ 7 PORT ID LABELS, ACCORDING TO DETAIL NUMBERING (BOTH SIDES).
8. ALL DIMENSIONS ARE SHOWN FOR REFERENCE ONLY.



| | | | |
|----------------|-------------|---|------|
| 3 | WHITE | PRODUCT LABEL (NOT SHOWN) (2 on ends-1 packaging box) | 13 |
| 2 | TRANSP. | NUMBER LABELS. for EACH INDV.CABLE | 12 |
| Depends/Length | WHITE | TAPE for CABLE BUNDLE | 11 |
| 1 | -- | QC - document 108-117000 (NOT SHOWN) | 10 |
| 1 | BLACK | ID LABEL 1-6 | 9 |
| 1 | TRANSP. | LABEL COVER | 8 |
| 1 | WHITE PAPER | LABEL SHEET | 7 |
| 1 | -- | GROUNDING SPRING CLIP | 6 |
| Depends/Length | -- | CABLE CAT. 7A. S/FTP. LSFRZH. | 5 |
| 12 | -- | AMP-TWIST 7AS SL JACK | 4 |
| 1 | -- | METAL FRAME. SIGMA-LINK QUICK-FIT | 3 |
| 1 | BLACK | HOLDER. SIGMA-LINK QUICK-FIT | 2 |
| 1 | BLACK | FRONT COVER. SIGMA-LINK QUICK-FIT | 1 |
| QTY. | COLOR | DESCRIPTION | ITEM |

THIS DRAWING IS A CONTROLLED DOCUMENT.

| | | | | |
|-------------|--|--------------|-----------|---|
| DIMENSIONS: | TOLERANCES UNLESS OTHERWISE SPECIFIED: | DWN | 05FEB2014 | COMMSCOPE, INC. S-Link QF Cable Assembly STP Class FA / H to J |
| mm | | CHK | 05FEB2014 | |
| | | APVD | 05FEB2014 | |
| | | PRODUCT SPEC | | |
| | 0 PLC ±20.0 | 108-93036 | | NAME |
| | 1 PLC ±13.0 | 411-117007 | | SIZE |
| | 2 PLC ± | | | CAGE CODE |
| | 3 PLC ± | | | DRAWING NO |
| | 4 PLC ± | | | RESTRICTED TO |
| | ANGLES ±° | | | |
| MATERIAL | FINISH | WEIGHT | | |
| - | - | - | | |
| - | - | - | | |

Customer Drawing

SCALE NTS SHEET 1 OF 1 REV C