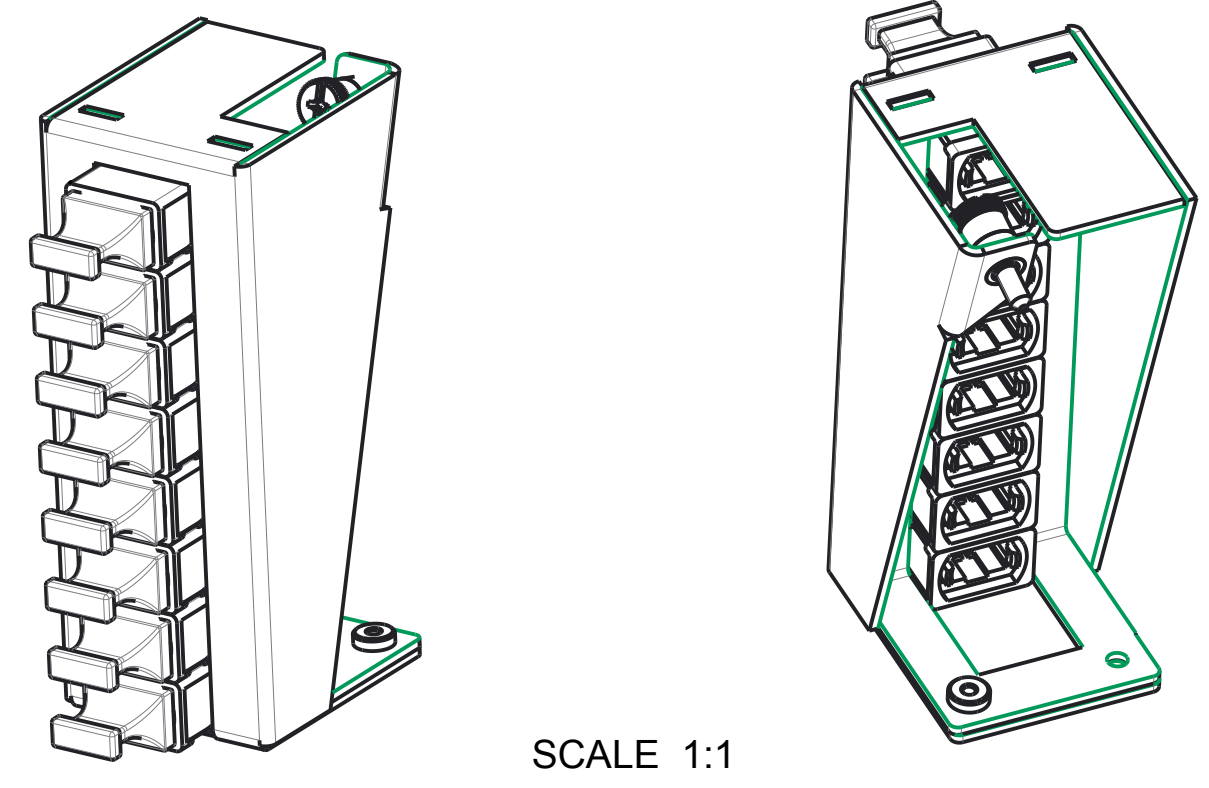
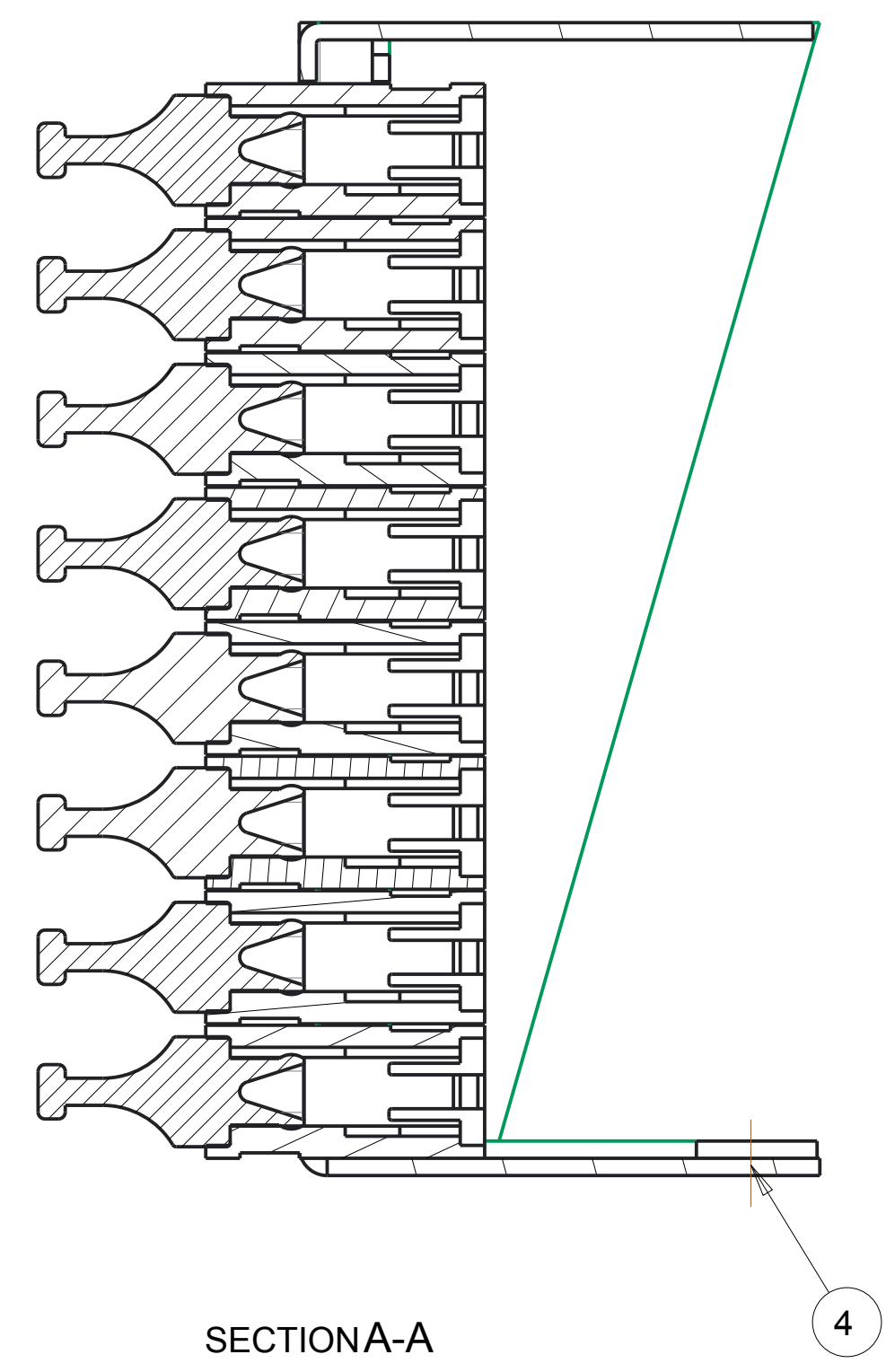
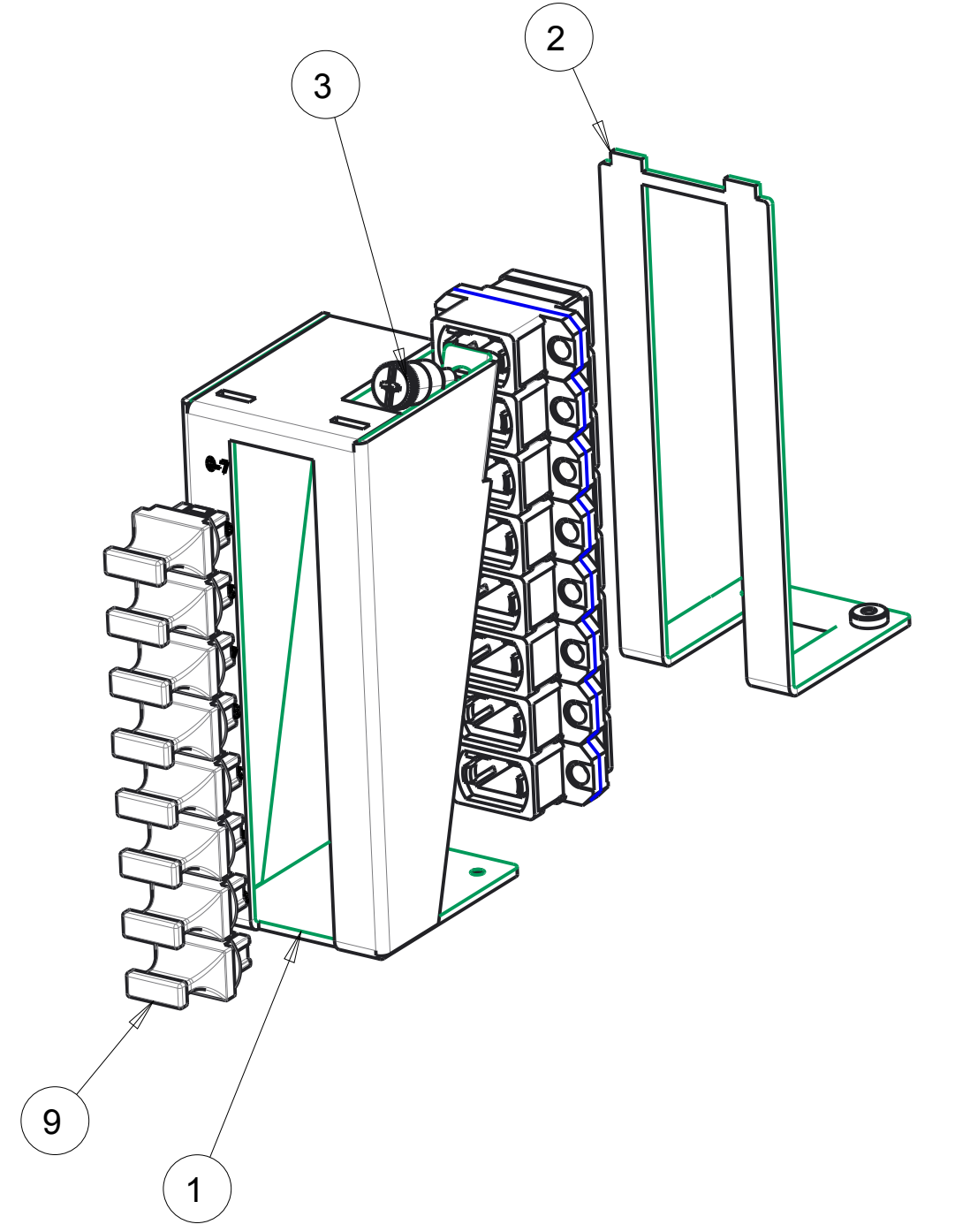


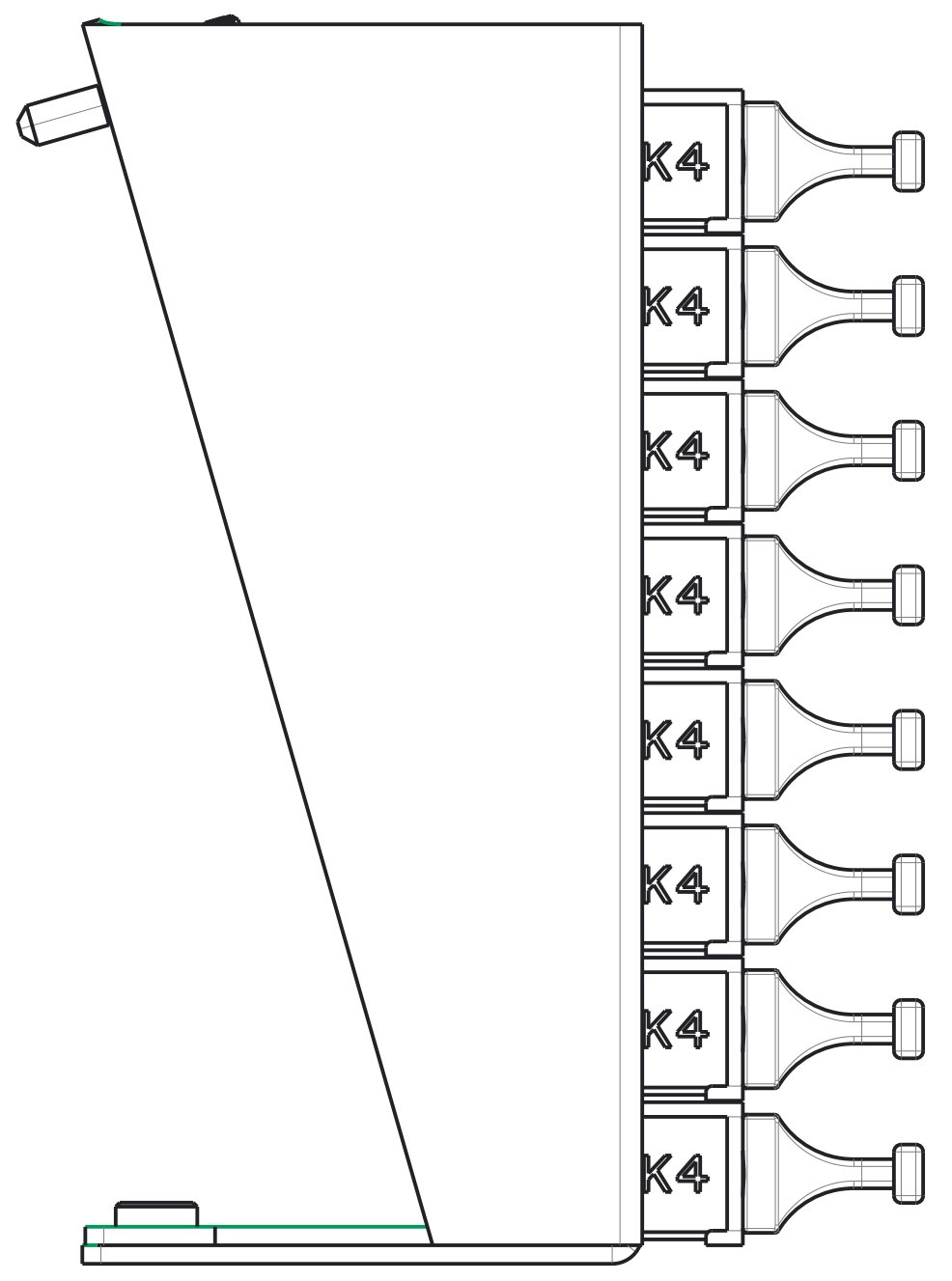
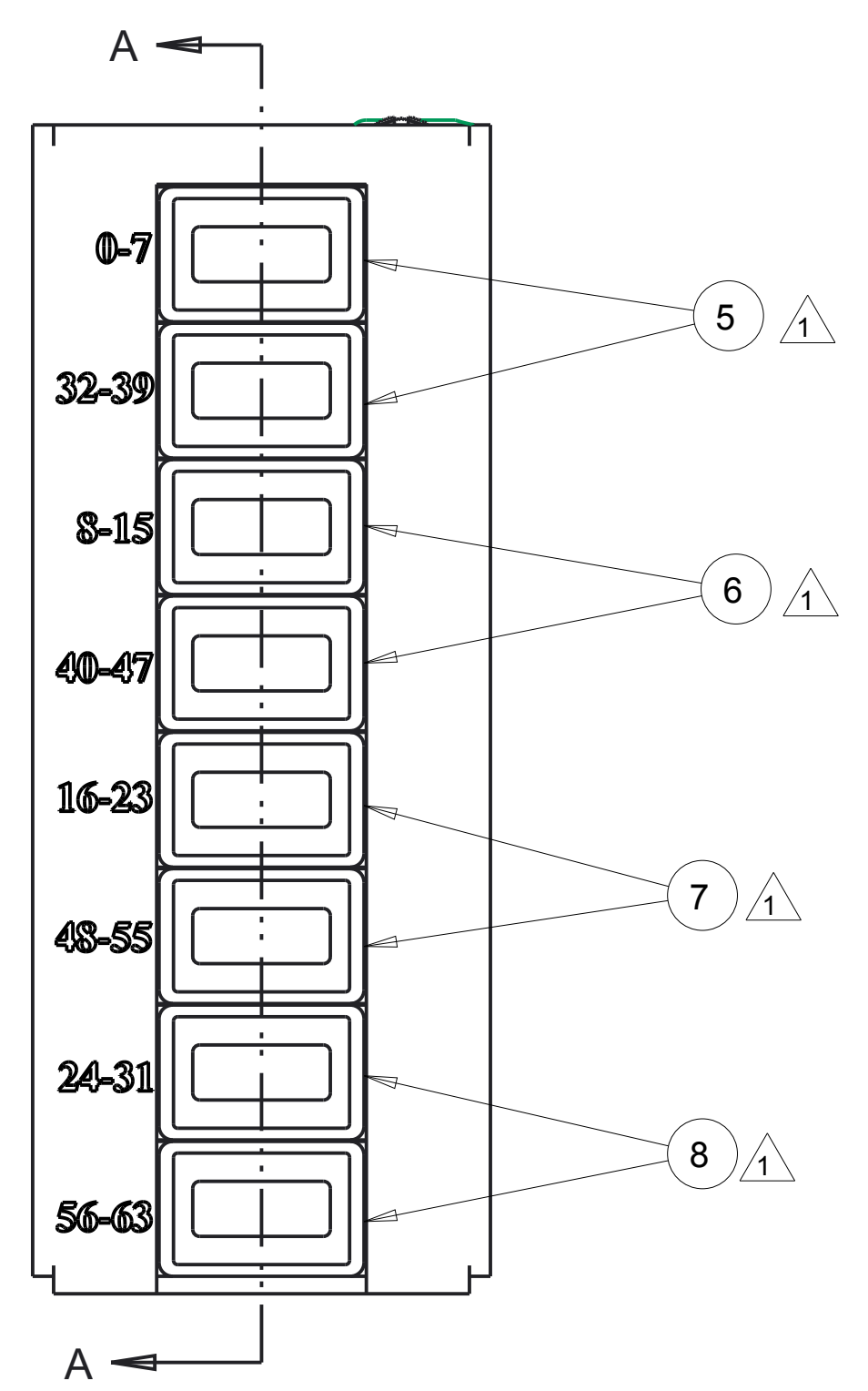
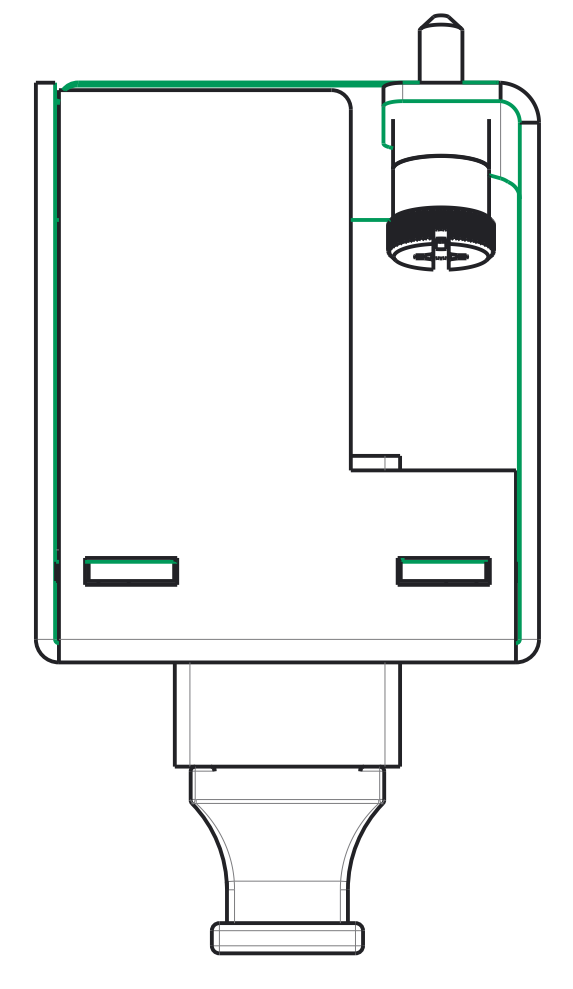
1 INSTALL MPO ADAPTERS WITH THE WHITE STRIPE ON THE RIGHT SIDE FOR CONSISTENCY.



SCALE 1:1



SECTION A-A



QTY	PART NUMBER	DESCRIPTION	ITEM NO.
8	2055647-1	MPO DUST CAP PLUG	9
2	1-1754048-2	ADAPTER, MPO, VIOLET	8
2	1-1754048-0	ADAPTER, MPO, AQUA	7
2	1-1754048-8	ADAPTER, MPO, SLATE	6
2	1-1754048-7	ADAPTER, MPO, ORANGE	5
1	STEEL	SCREW, 2-56 X 1/8", 100 deg FH	4
1	52-19-53-4	CAPTIVE SCREW (SOUTHCO)	3
1	2193015-1	ADAPTER MOUNT PLATE	2
1	2193014-1	ADAPTER PLATE	1

REV	DESCRIPTION	DATE	DWN	APVD
C	REBRANDING	17MAR2017		
B	REV PER ECO-12-016359	13SEP2012	JB	JS
A	RELEASE PER ECO-12-006356	03APR2012	JB	JS

DIMENSIONS:		TOLERANCES UNLESS OTHERWISE SPECIFIED:	
inch	0 PLC ±	1 PLC ±	2 PLC ±
	3 PLC ±	4 PLC ±	
ANGLES ±	SURFACE TEXTURE		

DWN: J. BURWELL 25MAY2011
 CHR: J. SHIPE 25MAY2011
 APVD: J. SHIPE
 NAME: ADAPTER PLATE ASSEMBLY, 64 PORT, GEN 2
 SCALE: 2:1 SIZE: A1 DRAWING NO: 2193016 SHEET 1 OF 1 REV C

MATERIAL: - HEAT TREAT: -

COMMSCOPE, INC.