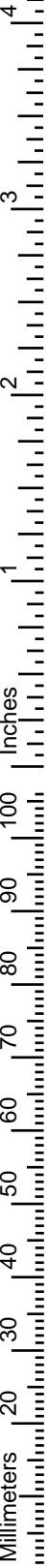
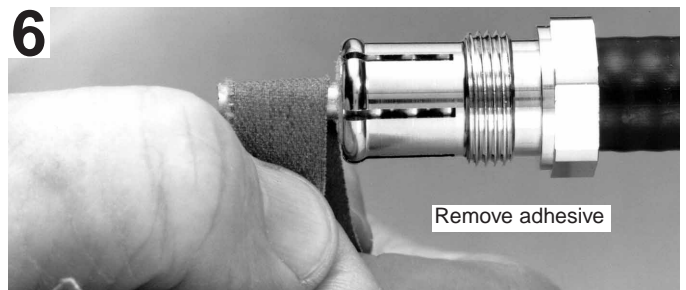
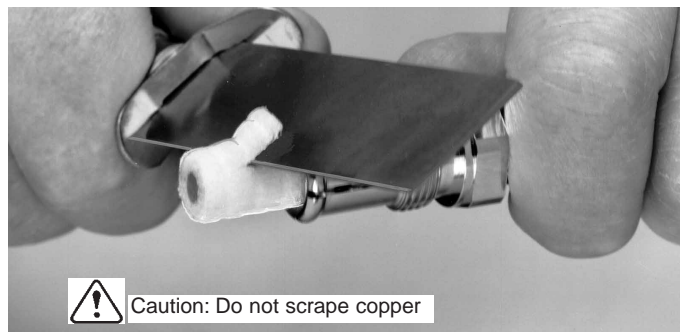
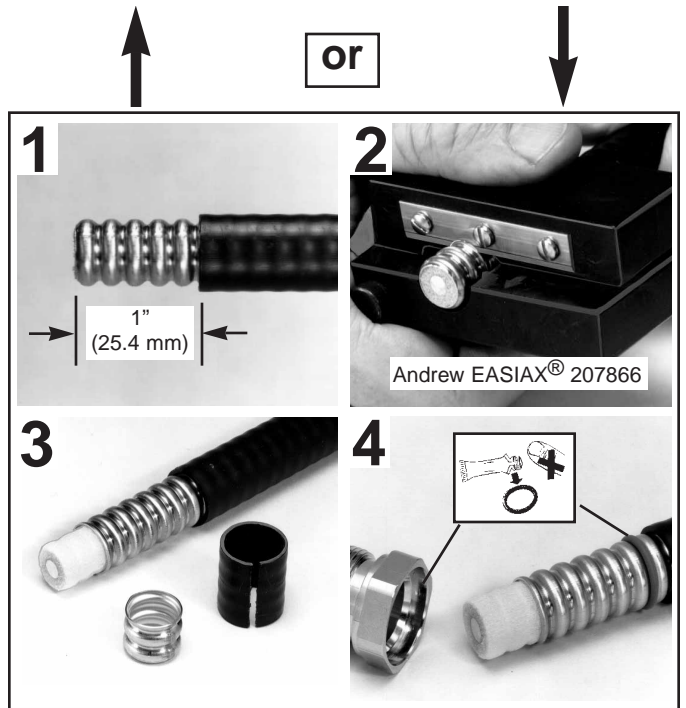
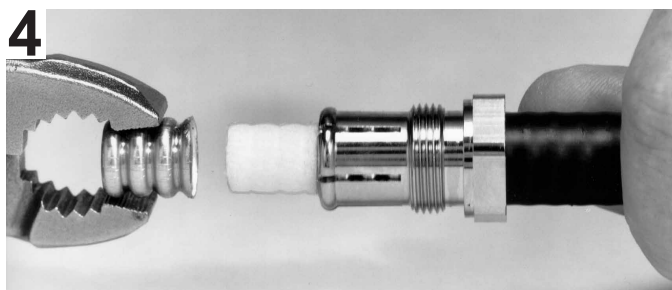
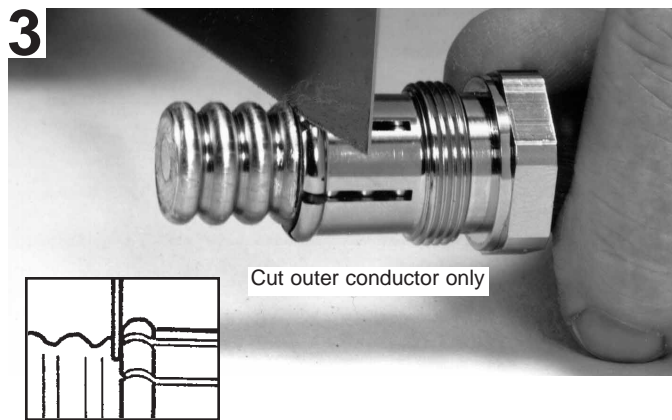
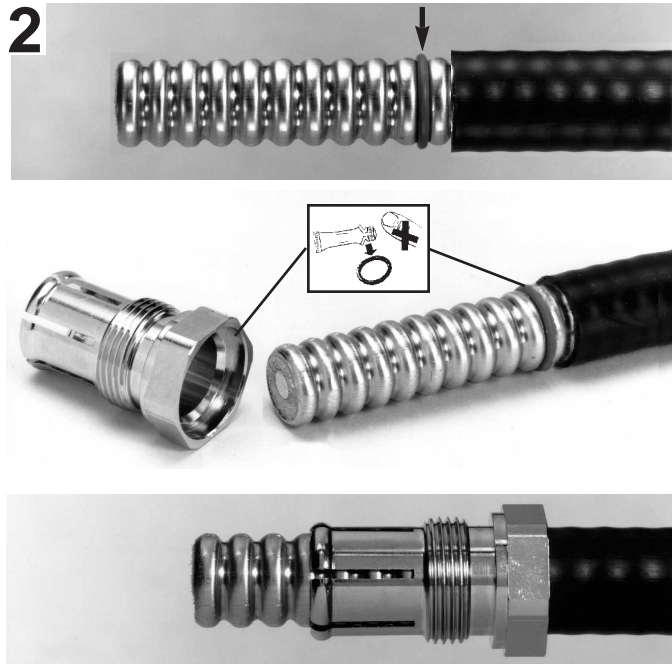
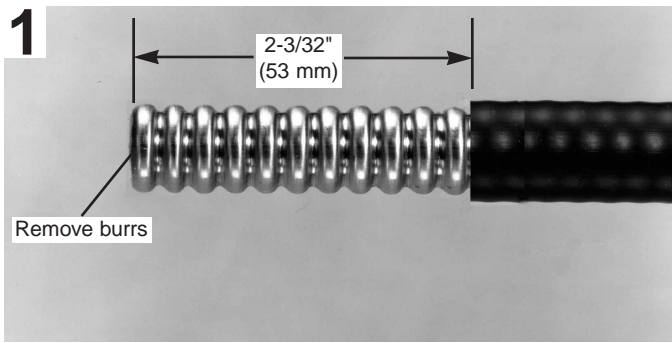


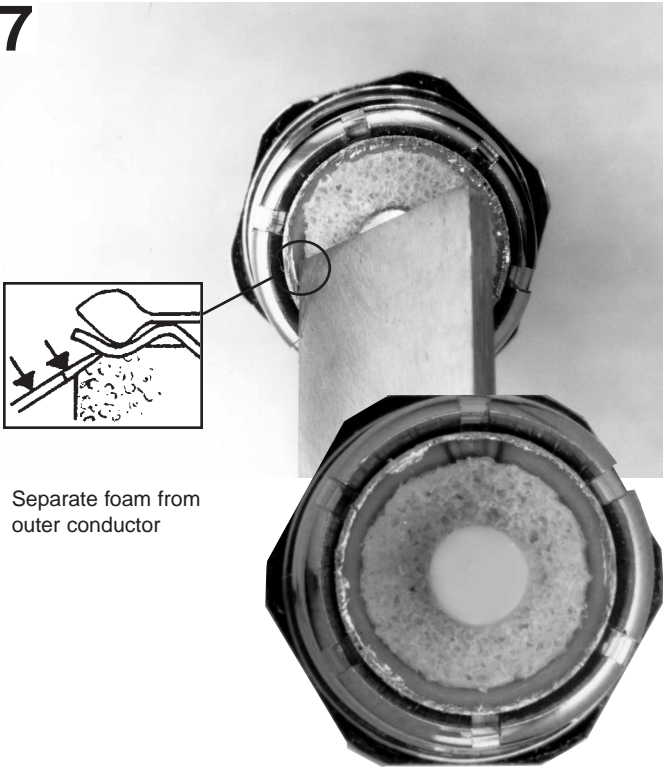
# Connectors

for HELIAX® LDF4-50A Coaxial Cable



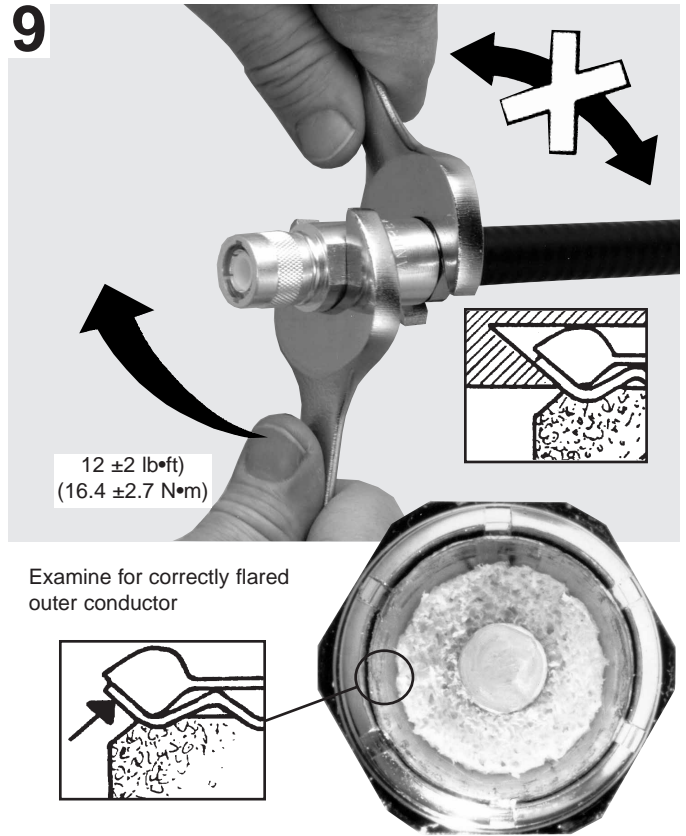


7



Separate foam from outer conductor

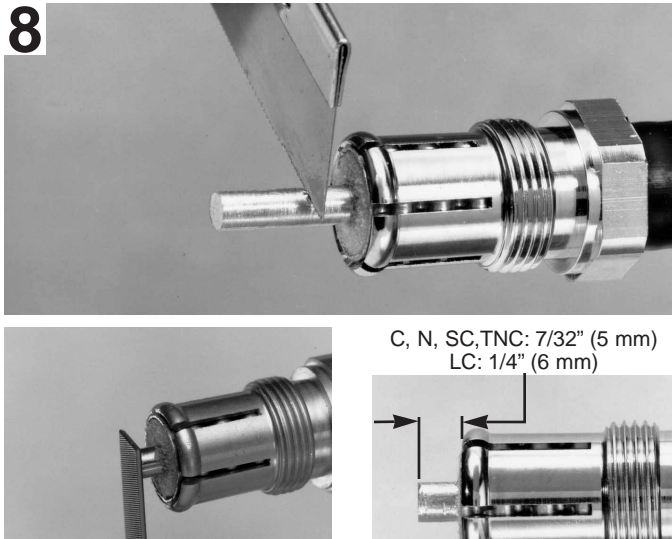
9



12 ± 2 lb•ft  
(16.4 ± 2.7 N•m)

Examine for correctly flared outer conductor

8



C, N, SC, TNC: 7/32" (5 mm)  
LC: 1/4" (6 mm)

10

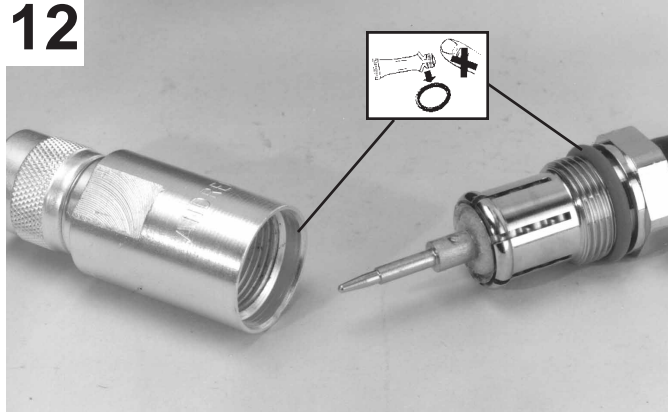


11

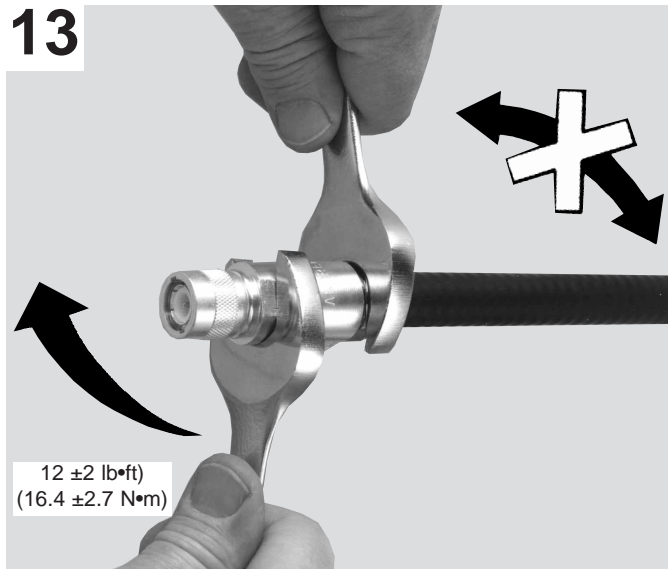


Remove excess solder

12



13



---

### Notice

The installation, maintenance, or removal of antenna systems requires qualified, experienced personnel. Andrew installation instructions are written for such personnel. Antenna systems should be inspected once a year by qualified personnel to verify proper installation, maintenance, and condition of equipment.

Andrew disclaims any liability or responsibility for the results of improper or unsafe installation practices.

---



Andrew Corporation  
10500 West 153rd Street  
Orland Park, IL U.S.A. 60462

Telephone: 708/349-3300  
FAX (U.S.A.): 1-800-349-5444  
Internet: <http://www.andrew.com>

Customer Service, 24 hours: U.S.A. • Canada • Mexico: 1-800/255-1479  
U.K.: 0800 250055 • Other Europe: +44 1592 782612

Printed in U.S.A. 11/98  
Copyright © 1998 by Andrew Corporation