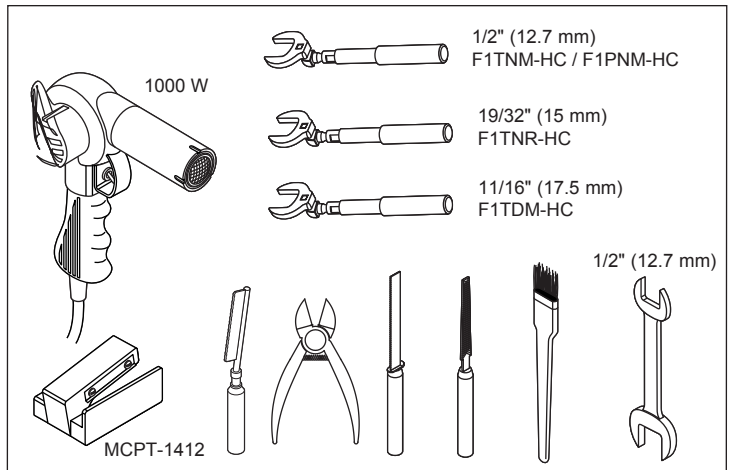
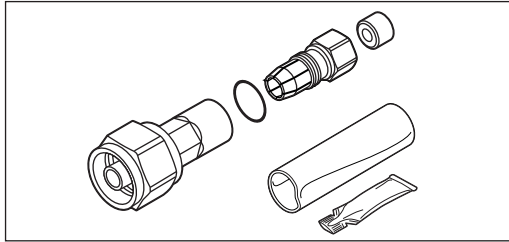
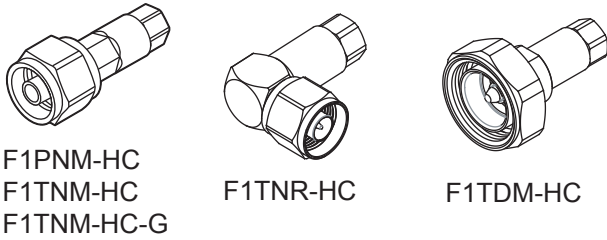


## Connector Installation

for HELIAX® FSJ1-50A Cables

Bulletin 237645 Revision H Page 1 of 2

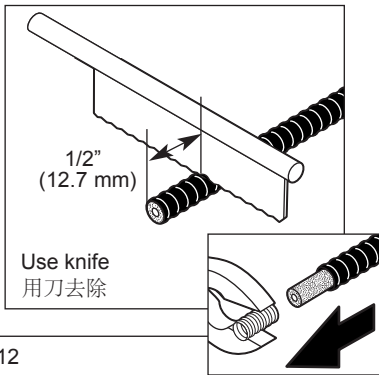
CommScope Infrastructure Academy offers installation training.



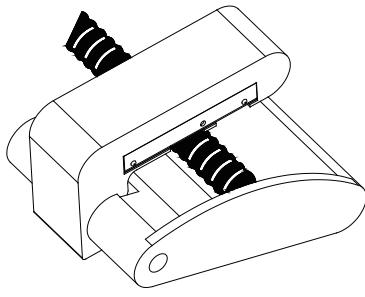
**1**

Straighten cable, Cut cable, Remove jacket and outer conductor.

将电缆拉直，切割电缆，去除外皮和外导管。



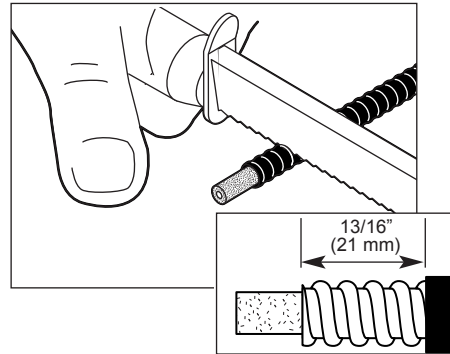
Or use MCPT-1412  
或者用工具去除



**2**

Trim cable jacket.

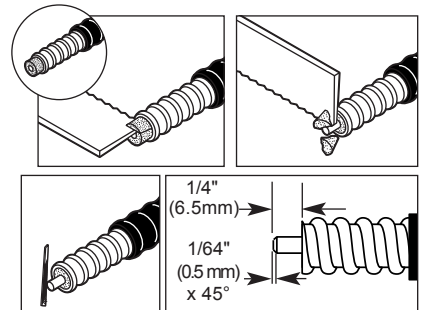
修整电缆外皮。



**3**

Trim inner conductor, Remove foam and adhesive, taper inner conductor.

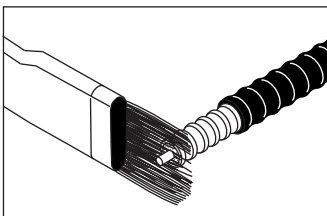
修整内导体，去除泡沫塑料和粘合剂，锥削内导体。



**4**

Remove deburr and debris.

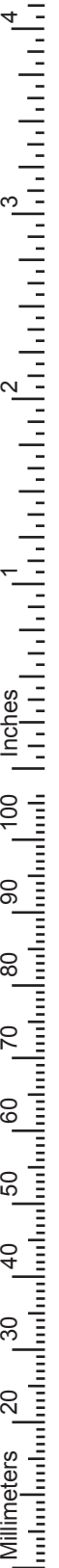
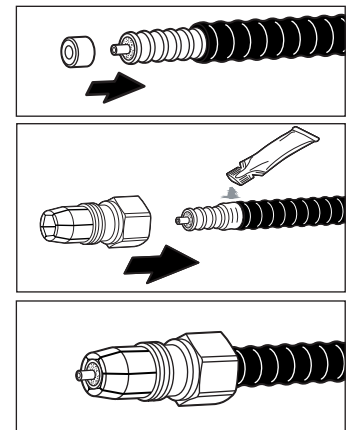
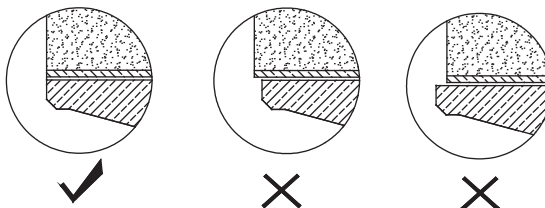
去除毛刺和残屑



**5**

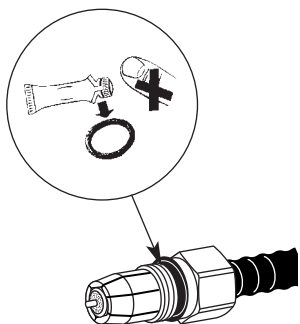
Add threaded gasket, grease, and clamping nut.

加螺纹垫圈，油脂和紧固螺母。  
Ensure the planes of cable & clamping nut are on one line as below.  
保证电缆端面与紧固螺母端面齐平，如图所示：



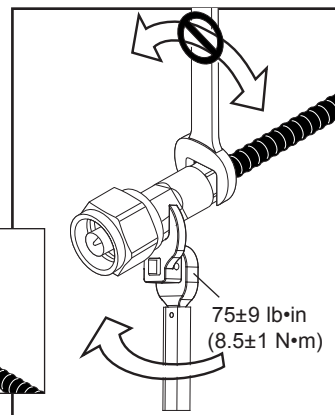
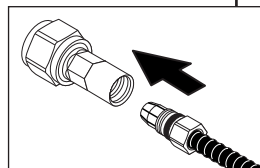
### 6

Add O-ring and grease.  
加O型圈和油脂



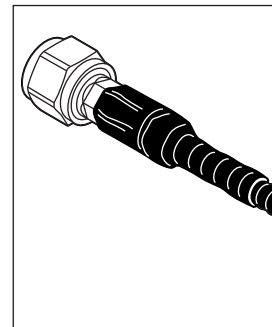
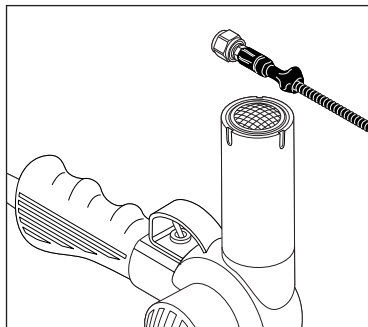
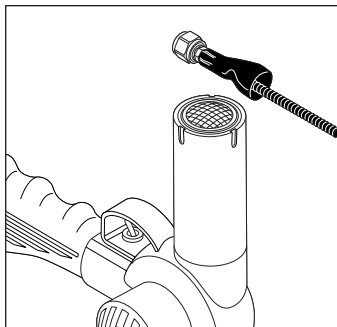
### 7

Attach connector body.  
安装接头体



### 8

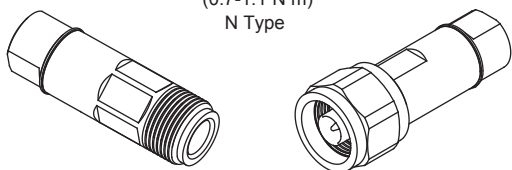
Apply heat shrink tube.  
加热缩紧套管



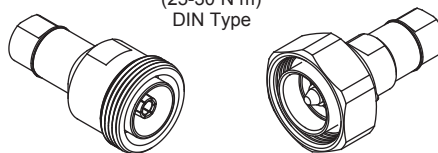
### 9


Coupling Torque.  
配合扭矩.

6.2-9.7 lb-in  
(0.7-1.1 N·m)  
N Type



220-265 lb-in  
(25-30 N·m)  
DIN Type



	表一 有毒有害物质或元素名称及含量标识格式					
	有毒有害物质或元素					
部件名称 (Part Name)	铅 (Pb)	汞 (Hg)	镉 (Cd)	六价铬 (Cr6+)	多溴联苯 (PBB)	多溴二苯醚 (PBDE)
连接器 (Connector)	X	○	○	○	○	○

○: 表示有毒有害物质在该部件所有的均质材料中的含量均在SJ/T 11363-2006规定的限量要求以下。  
X: 表示该有毒有害物质至少在该部件的某一均质材料中的含量超出SJ/T 11363-2006规定的限量要求。

#### CommScope

1100 CommScope Place SE P.O. Box 339, Hickory, NC 28603-0339  
(828) 324-2200 (800) 982-1708  
www.commscope.com

#### Customer Service 24 hours

North America: +1-800-255-1479 (toll free)  
Any country: +1-779-435-6500  
email: acicustomersupportcenter@commscope.com

Notice: CommScope disclaims any liability or responsibility for the results of improper or unsafe installation, inspection, maintenance, or removal practices.  
Aviso: CommScope no acepta ninguna obligación ni responsabilidad como resultado de prácticas incorrectas o peligrosas de instalación, inspección, mantenimiento o retiro.  
Avis: CommScope décline toute responsabilité pour les conséquences de procédures d'installation, d'inspection, d'entretien ou de retrait incorrectes ou dangereuses.  
Hinweis: CommScope lehnt jede Haftung oder Verantwortung für Schäden ab, die aufgrund unsachgemäßer Installation, Überprüfung, Wartung oder Demontage auftreten.  
Atenção: A CommScope abdica do direito de toda responsabilidade pelos resultados de práticas inadequadas e sem segurança de instalação, inspeção, manutenção ou remoção.  
Avvertenza: CommScope declina eventuali responsabilità derivanti dall'esecuzione di procedure di installazione, ispezione, manutenzione e smontaggio improprie o poco sicure.  
注意: CommScope 公司申明對於不恰當或不安全的安裝、檢驗、維修或拆卸操作所導致的後果不負責任 何義務和責任