

REVISIONS			
P	LR	DESCRIPTION	DATE
F	REV PER	40060283CMO	07MAR2018
	DWN	GG	MS

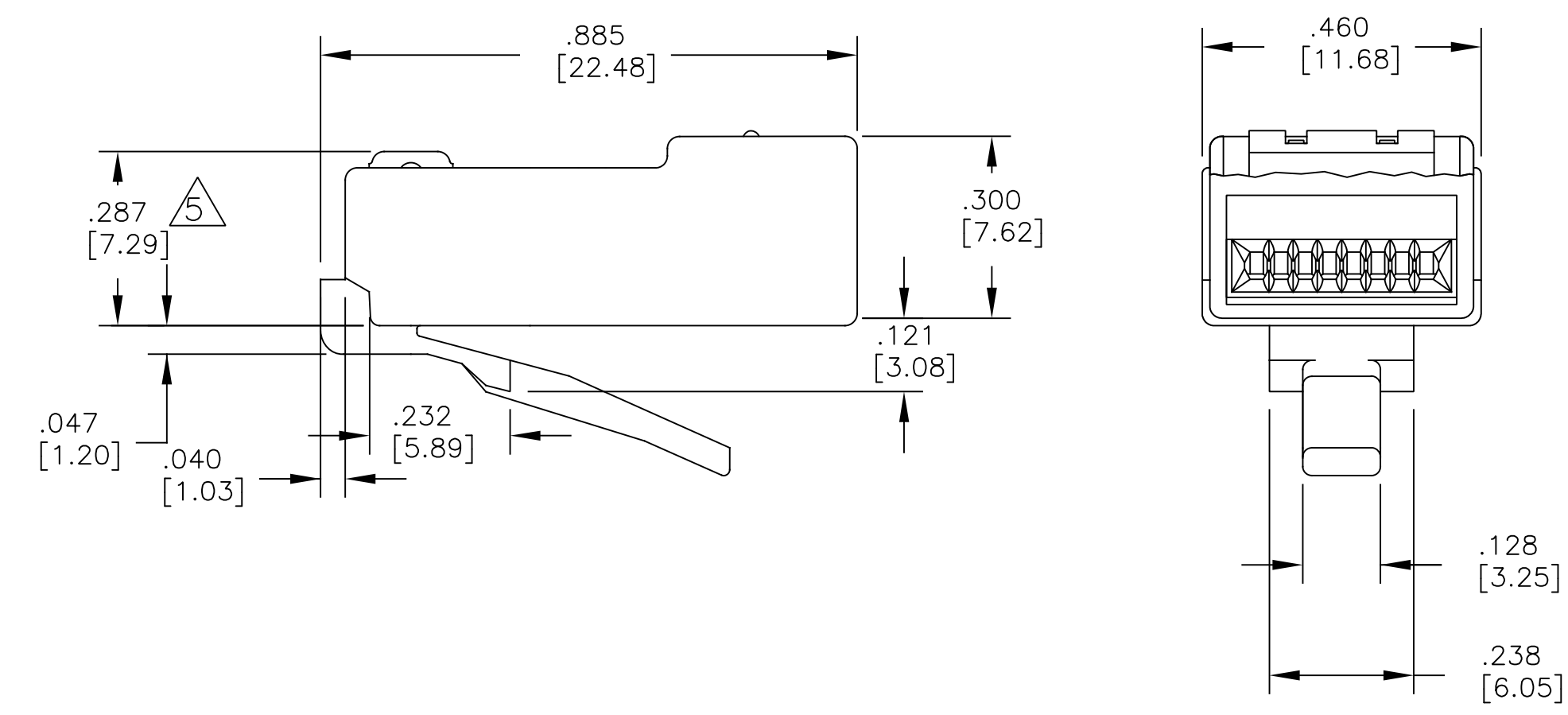
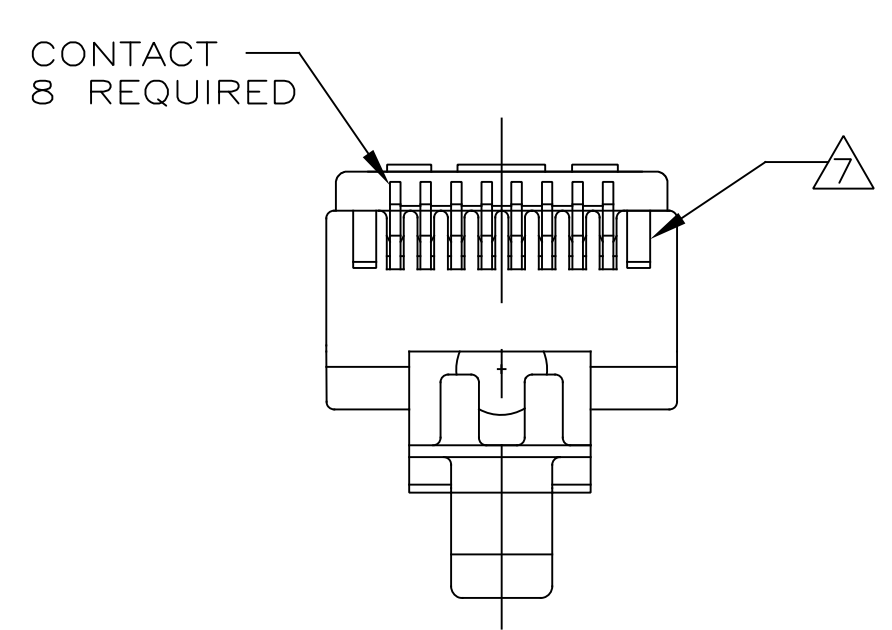
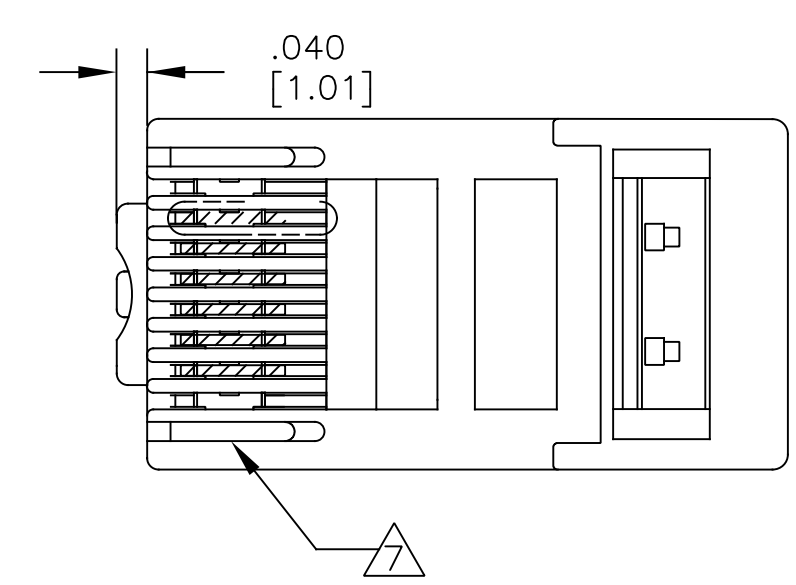
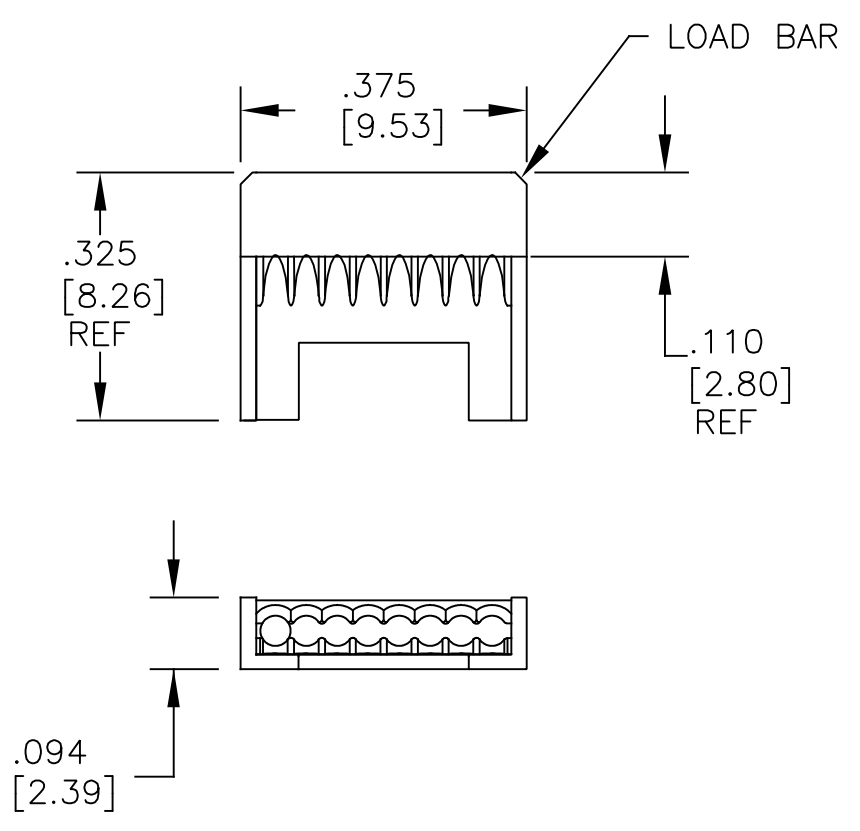
MP-5E

U=UNSHIELDED
S=SHIELDED

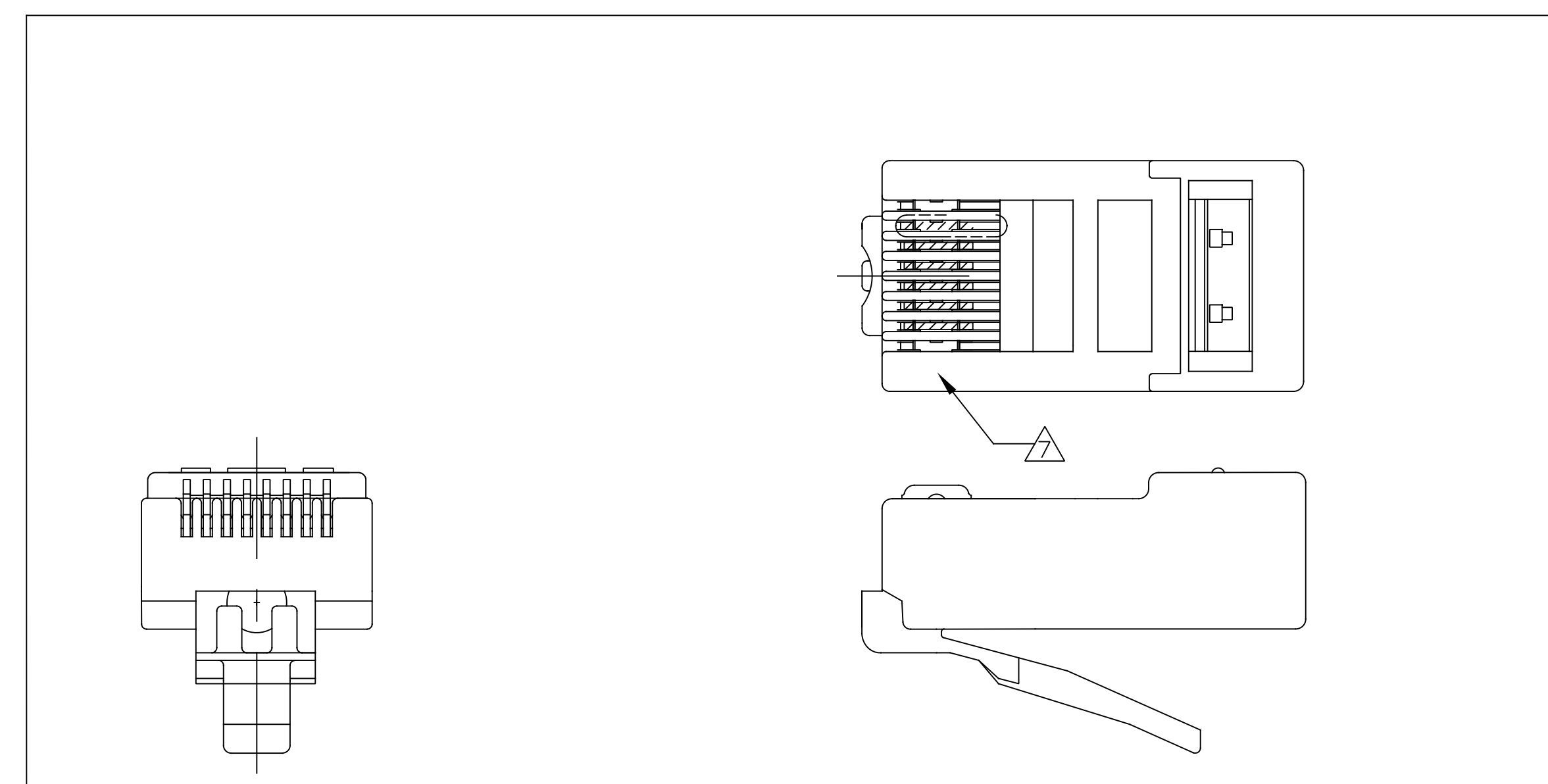
PACKAGE SIZE
5 = 500
1 = 100

1. DIMENSIONS ARE NOMINAL UNLESS OTHERWISE SPECIFIED.
2. MATERIAL: HOUSING- POLYCARBONATE, CLEAR
LOAD BAR - PBT, BLACK
TERMINAL- .305 [.012] THICK PHOSPHOR BRONZE PLATED WITH 1.27µm [.00005] MINIMUM THICK GOLD IN LOCALIZED PLATE AREA OVER 2.54µm [.000100] MINIMUM THICK NICKEL UNDERPLATE.

SHIELD, OPTIONAL- COPPER ALLOY WITH 1.27µm [.000050] MINIMUM SEMI-BRIGHT (SATIN) NICKEL.
3. PLUG WILL ACCEPT 24-26 AWG STRANDED CONDUCTOR WITH A SINGLE INSULATION OF 0.89-0.99 [.035-.039] OR 23-24 AWG SOLID CONDUCTOR WITH A SINGLE INSULATION OF 0.89-0.99 [.035-.039].
4. PLUG WILL ACCEPT A CABLE WITH A PLIABLE JACKET OF Ø4.83 [.190] TO 5.59 [.220] OR A RIGID JACKET OF Ø4.83 [.190] TO 5.08 [.200].
5. TERMINATED DIMENSION 5.89 [.232] - 6.15 [.242].
6. UL RECOGNIZED FILE NUMBER E114344.
7. OPEN OR CLOSED CONSTRUCTION (CORING) ON EITHER SIDE OF CONTACTS (2 PLACES) IS ALLOWED IN INDICATED AREA.



UNSHIELDED MOD PLUG 8 POSITION
8 CONTACT PLUG



UNSHIELDED MOD PLUG 8 POSITION
ALTERNATE CONSTRUCTION
8 CONTACT PLUG

PACKAGE	MATERIAL	CATALOG NUMBER
100	6-569278-3	MP-5EU-1
500	6-569278-2	MP-5EU-5
UNSHIELDED CATALOG NUMBER VERSIONS		

THIS DRAWING IS A CONTROLLED DOCUMENT.

DWN: G. GARRETT	09JUN2015	COMMSCOPE, INC.
CHK: J. GENIAC	09JUN2015	
APVD: J. GENIAC	09JUN2015	
NAME:		
DIMENSIONS: INCHES (mm)	TOLERANCES UNLESS OTHERWISE SPECIFIED:	PRODUCT SPEC: 108-1163
		APPLICATION SPEC: 114-6016
		WEIGHT: -
		CUSTOMER DRAWING

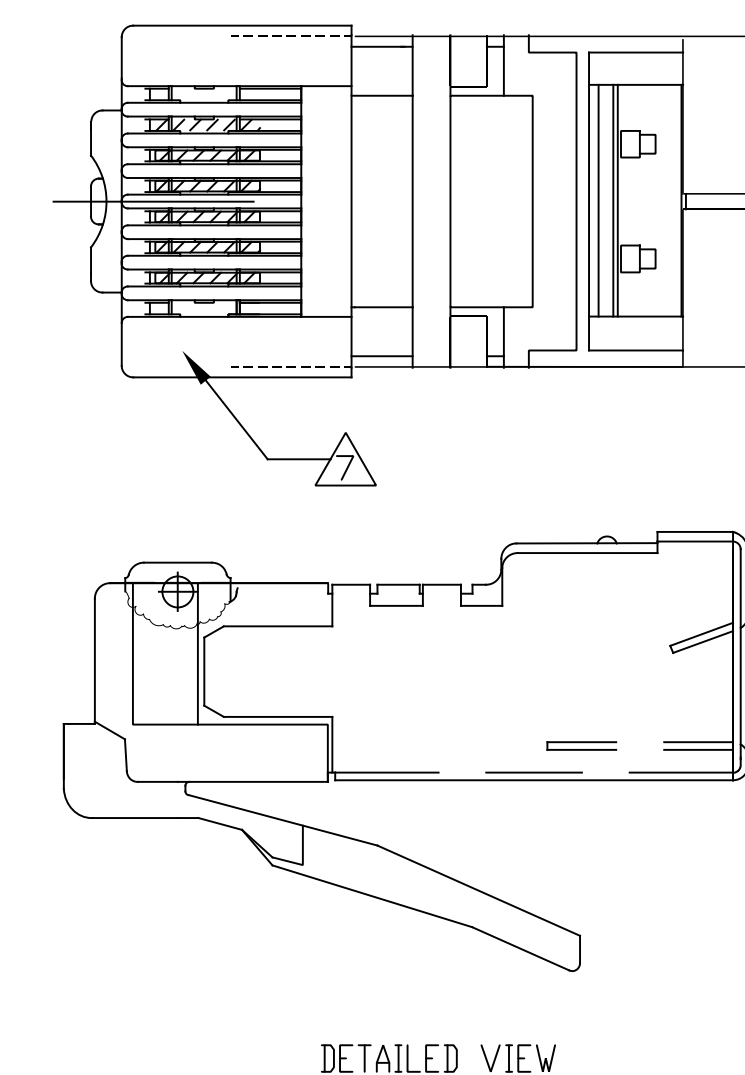
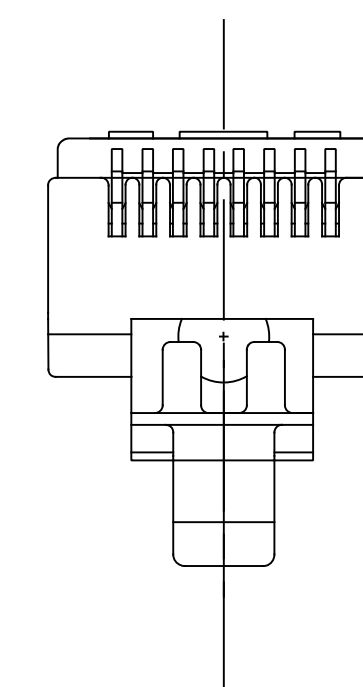
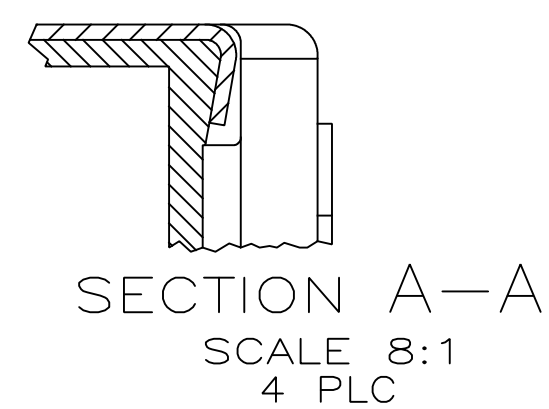
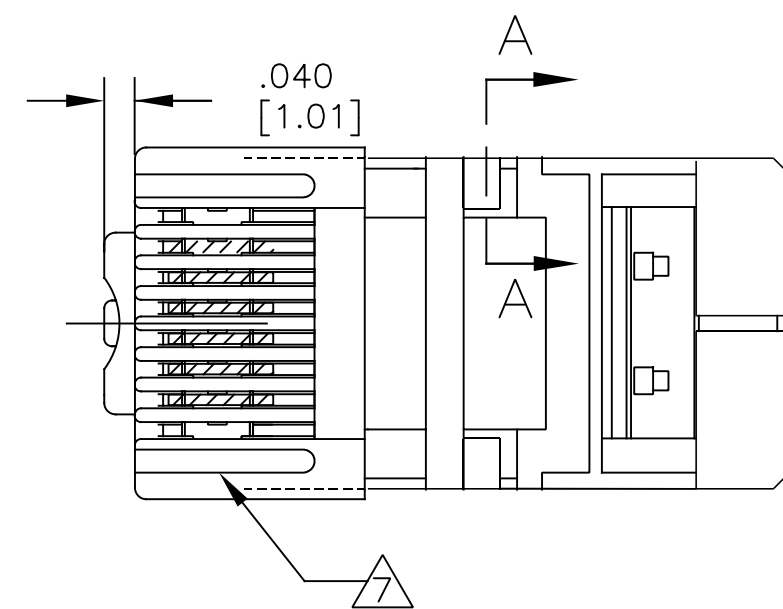
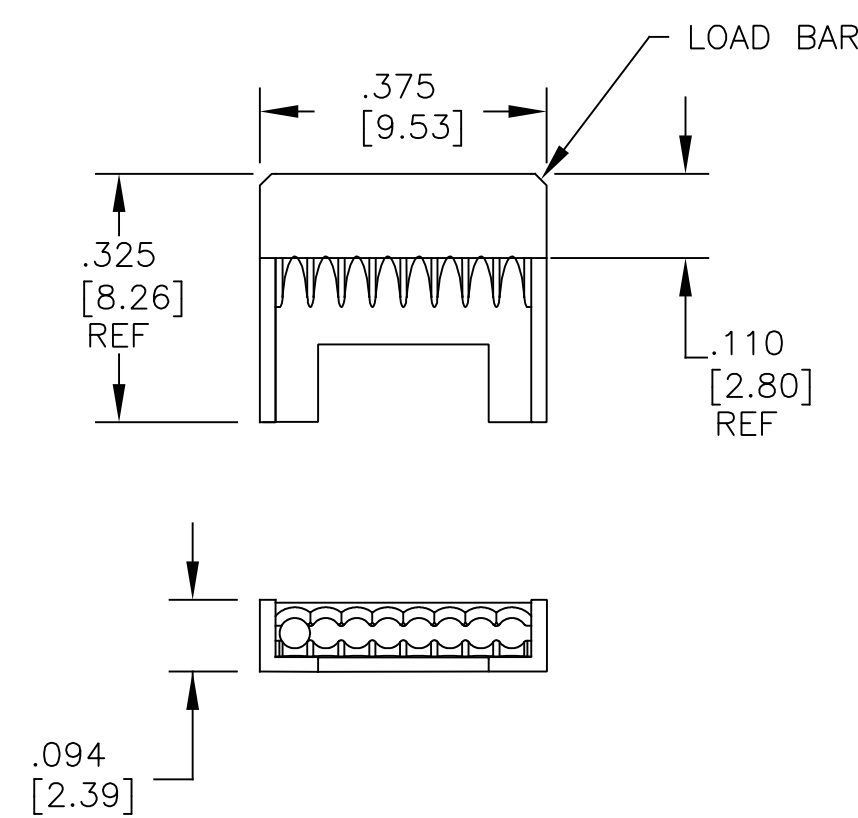
SIZE: A1	CAGE CODE: -	DRAWING NO: 2843004	RESTRICTED TO: -
SCALE: 4:1	SHEET: 1 OF 2	REV: F	

REVISIONS					
P	LTR	DESCRIPTION	DATE	DNW	APVD
-	-	SEE SHEET 1	-	-	-

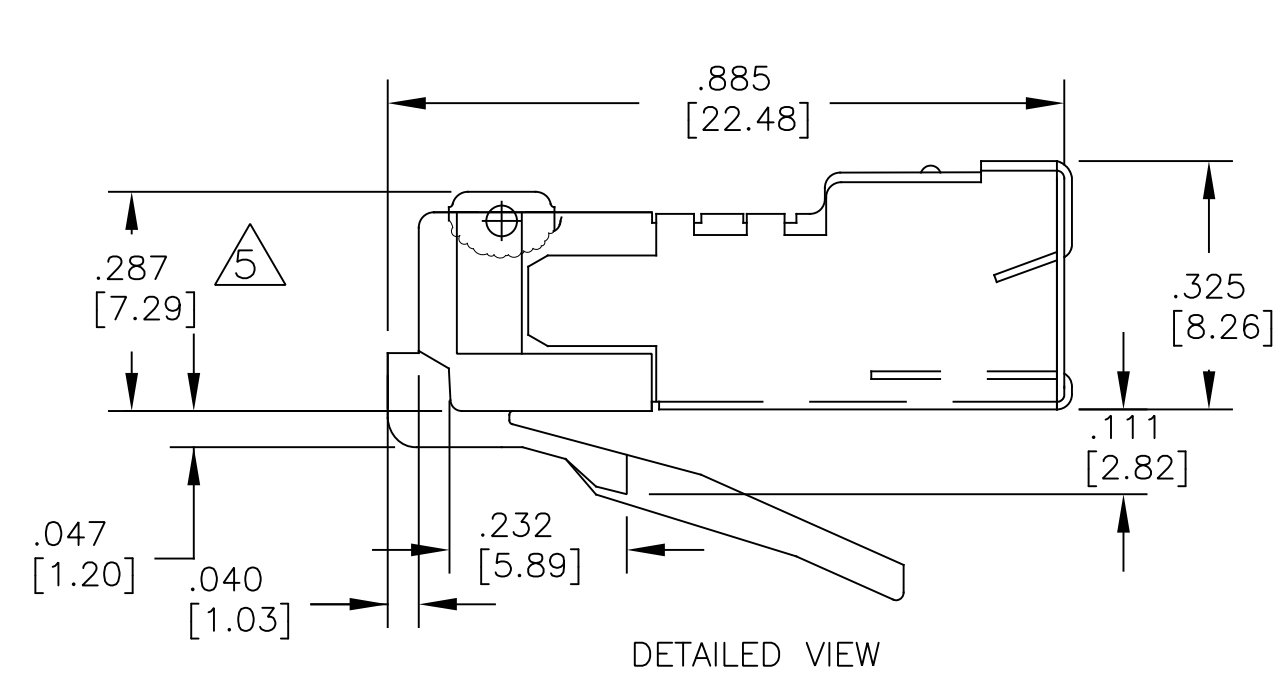
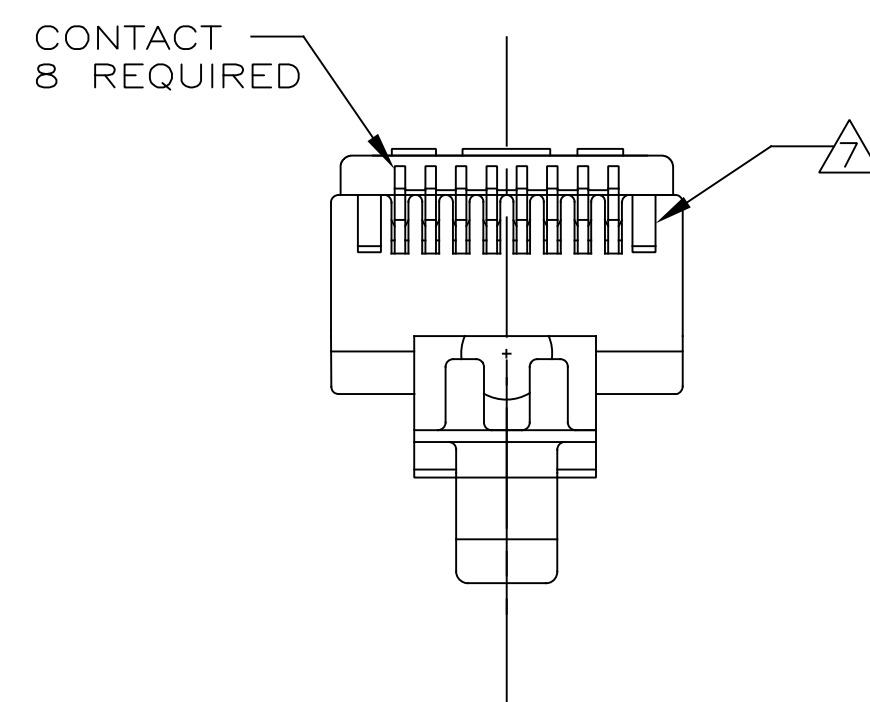
MP-5E

U=UNSHIELDED
S=SHIELDED

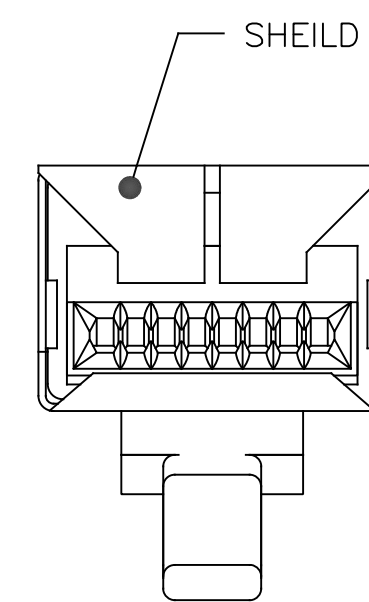
PACKAGE SIZE
5 = 500
1 = 100



DETAILED VIEW



SHIELDED MOD PLUG 8 POSITION
8 CONTACT PLUG



SHIELDED MOD PLUG 8 POSITION
ALTERNATE CONSTRUCTION Δ
8 CONTACT PLUG

100	6-569550-3	MP-5ES-1
500	6-569550-2	MP-5ES-5
PACKAGE	MATERIAL	CATALOG NUMBER
SHIELDED CATALOG NUMBER VERSIONS		

THIS DRAWING IS A CONTROLLED DOCUMENT.		DNW G. GARRETT 09JUN2015	COMMSCOPE, INC.	
DIMENSIONS: INCHES (mm)		CHK J. GENIAC 09JUN2015	NAME	
TOLERANCES UNLESS OTHERWISE SPECIFIED:		APVD J. GENIAC 09JUN2015	PRODUCT SPEC	
0 PLC ± .010		108-1163		
1 PLC ± .005		APPLICATION SPEC		
2 PLC ± .003		114-6016		
3 PLC ± .002		WEIGHT		
4 PLC ± .001		A1		
ANGLES ± .001		C=2843004		
FINISH		CUSTOMER DRAWING		
		SCALE 4:1 SHEET 2 OF 2 REV F		