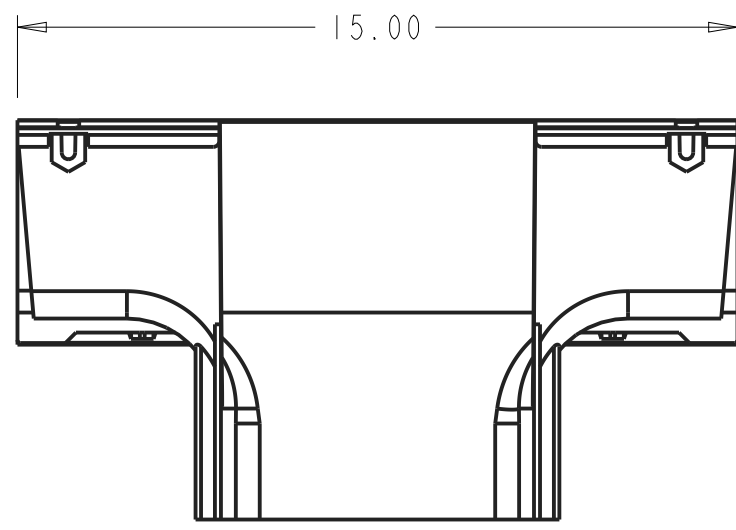
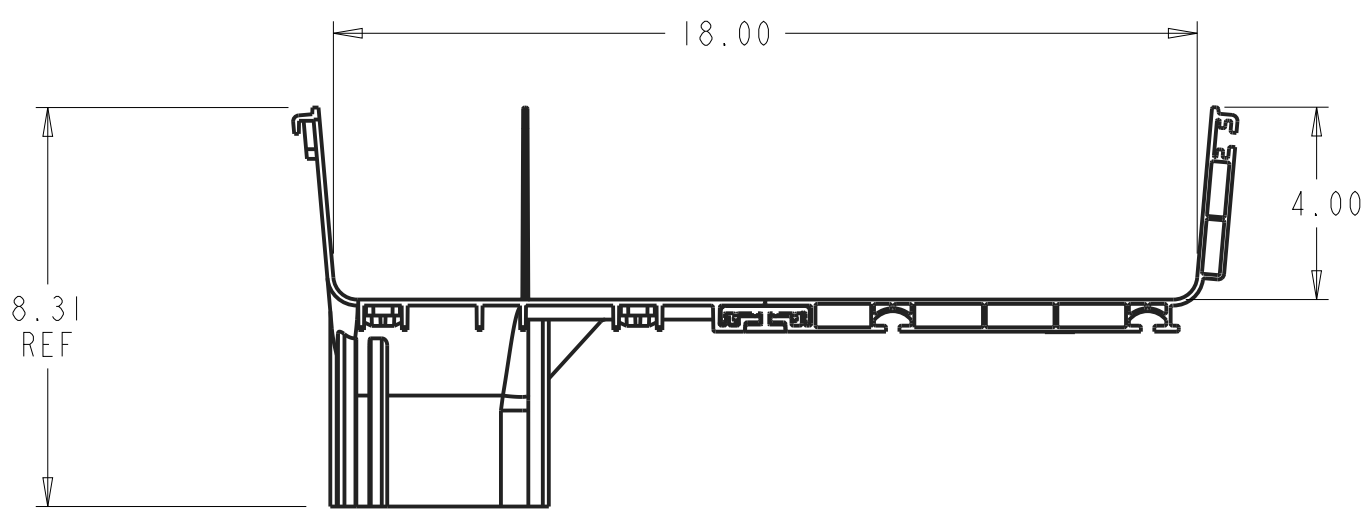
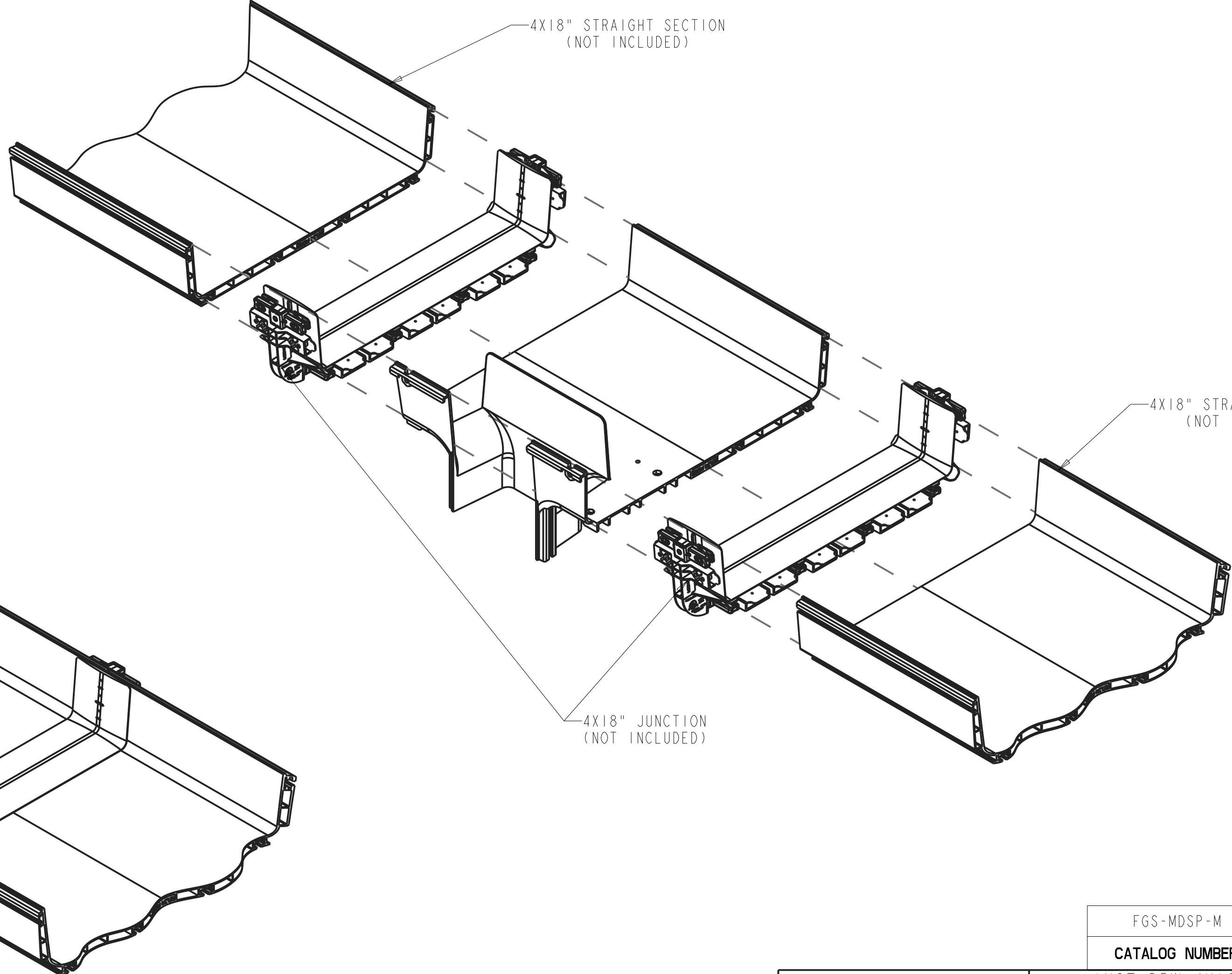


REV	MCO	DWN	DATE
I	40032663MCO	HUH	06-AUG-16
A	8000018122	HUH	17-JAN-17



NOTES:  
 1. TO INSTALL THE SINGLE EXIT DOWNSPOUT USE TWO 4X18" JUNCTIONS (NOT INCLUDED) BETWEEN THE DOWNSPOUT AND THE STRAIGHT SECTIONS AS SHOWN.



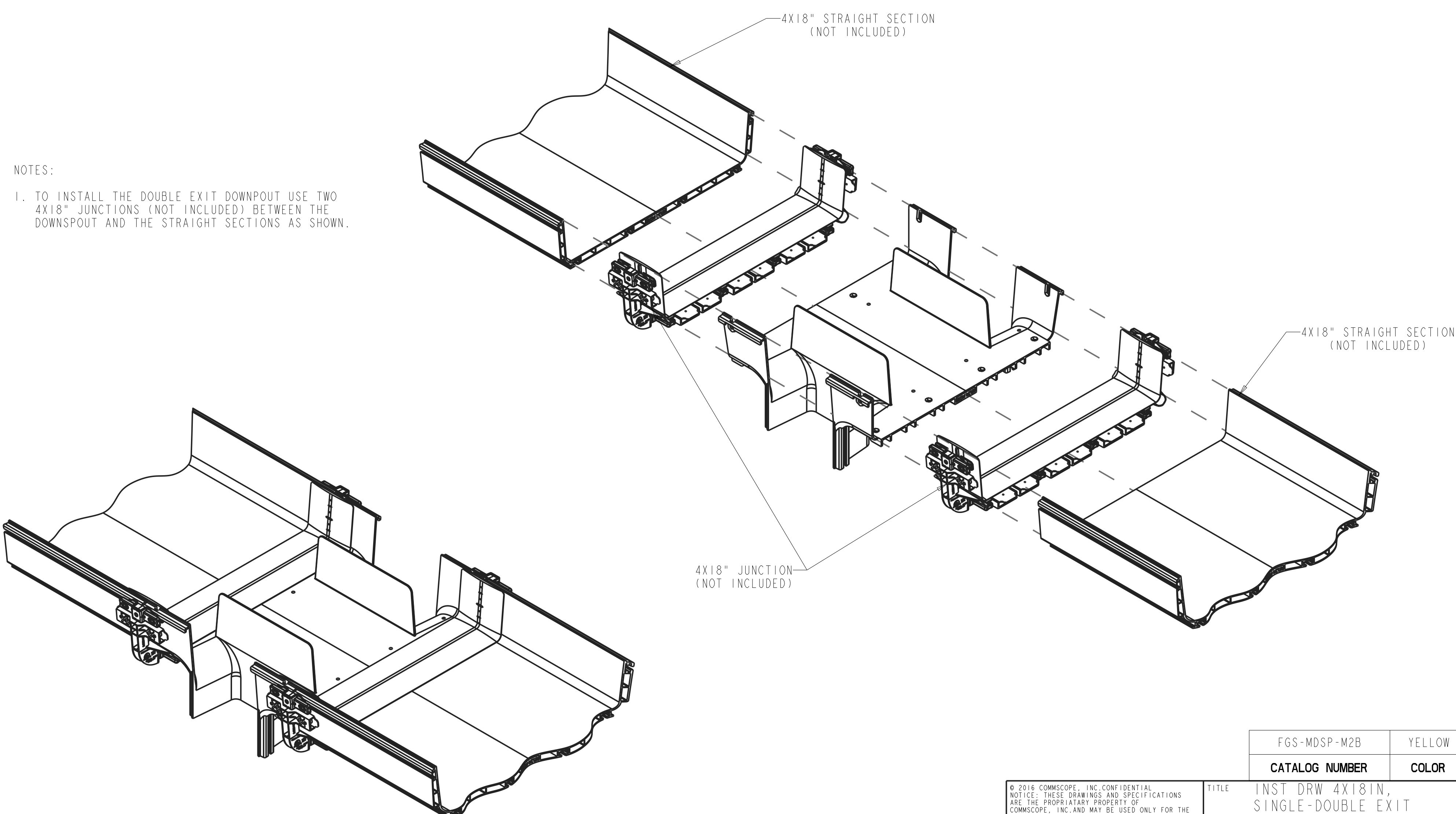
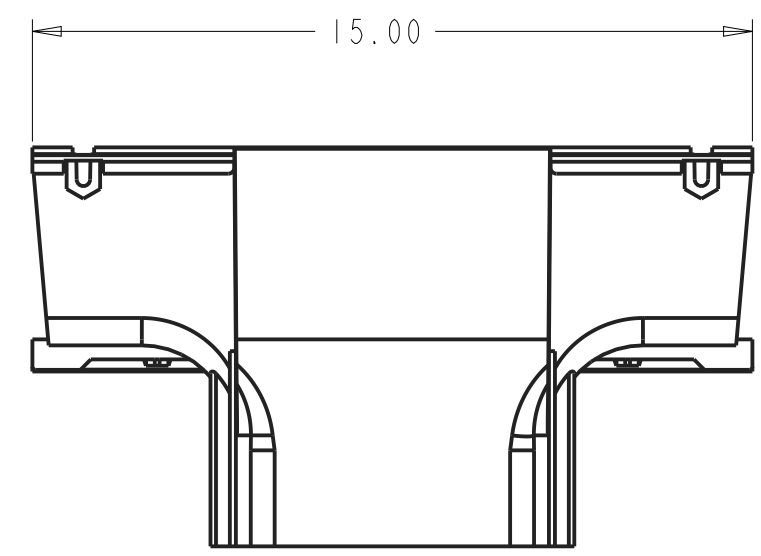
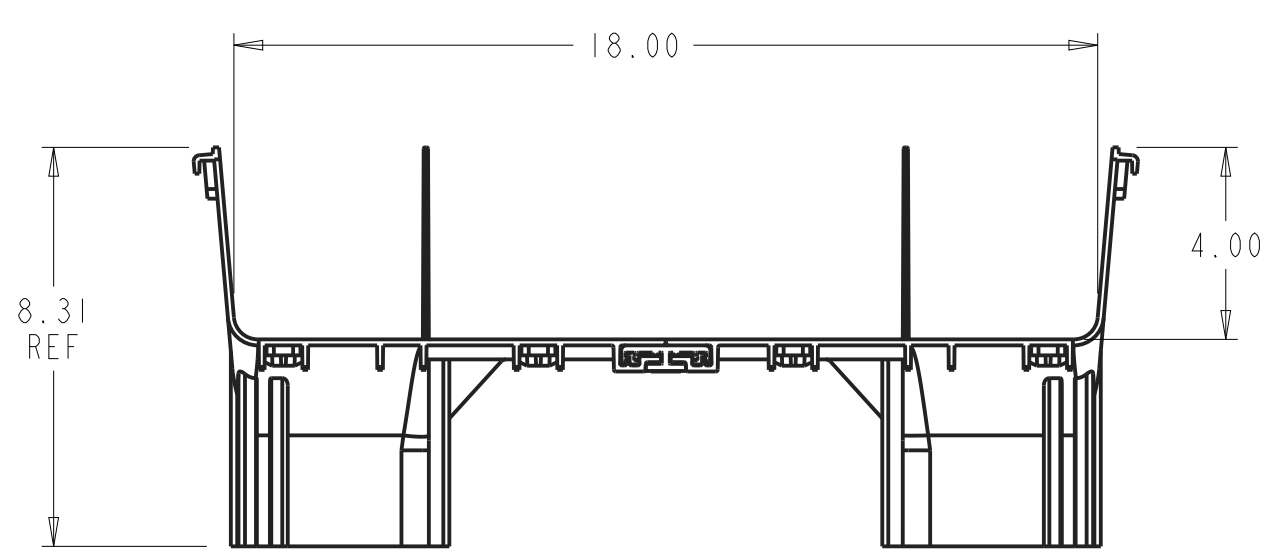
4X18 SINGLE EXIT DOWNSPOUT INSTALLED

COMMSCOPE, INC.

© 2016 COMMSCOPE, INC. CONFIDENTIAL  
 NOTICE: THESE DRAWINGS AND SPECIFICATIONS ARE THE PROPRIETARY PROPERTY OF COMMSCOPE, INC. AND MAY BE USED ONLY FOR THE SPECIFIC PURPOSE AUTHORIZED IN WRITING BY COMMSCOPE, INC.  
 ALL DIMS AND TOLERANCES .XX:±N/A ARE INCHES UNLESS .XXX:±N/A OTHERWISE SPECIFIED ANGULAR:±N/A  
 DO NOT SCALE DRAWING

FGS-MDSP-M		YELLOW	
CATALOG NUMBER		COLOR	
TITLE		INST DRW 4X18IN, SINGLE-DOUBLE EXIT DOWNSPOUT	
DRAWING NUMBER		300100118380	
ENGR: HECTOR UREÑO		SHT. 1 OF 2	
DWN: HECTOR UREÑO		A REV	

DIMENSIONS IN INCHES  
 THIRD ANGLE PROJECTION



NOTES:  
 1. TO INSTALL THE DOUBLE EXIT DOWNSPOUT USE TWO 4X18" JUNCTIONS (NOT INCLUDED) BETWEEN THE DOWNSPOUT AND THE STRAIGHT SECTIONS AS SHOWN.

4X18 DOUBLE EXIT DOWNSPOUT INSTALLED

COMMSCOPE, INC.

FGS-MDSP-M2B	YELLOW
<b>CATALOG NUMBER</b>	<b>COLOR</b>

<small>© 2016 COMMSCOPE, INC. CONFIDENTIAL          NOTICE: THESE DRAWINGS AND SPECIFICATIONS ARE THE PROPRIETARY PROPERTY OF COMMSCOPE, INC. AND MAY BE USED ONLY FOR THE SPECIFIC PURPOSE AUTHORIZED IN WRITING BY COMMSCOPE, INC.</small>	TITLE	INST DRW 4X18IN, SINGLE-DOUBLE EXIT DOWNSPOUT	
	DRAWING NUMBER	300100118380	
<small>ALL DIMS AND TOLERANCES .XX:±N/A          ARE INCHES UNLESS .XXX:±N/A          OTHERWISE SPECIFIED ANGULAR:±N/A</small>	C SIZE	A	REV
DO NOT SCALE DRAWING	ENGR: HECTOR UREÑO DWN: HECTOR UREÑO	SHT. 2 OF 2	

DIMENSIONS IN INCHES  
THIRD ANGLE PROJECTION