

A

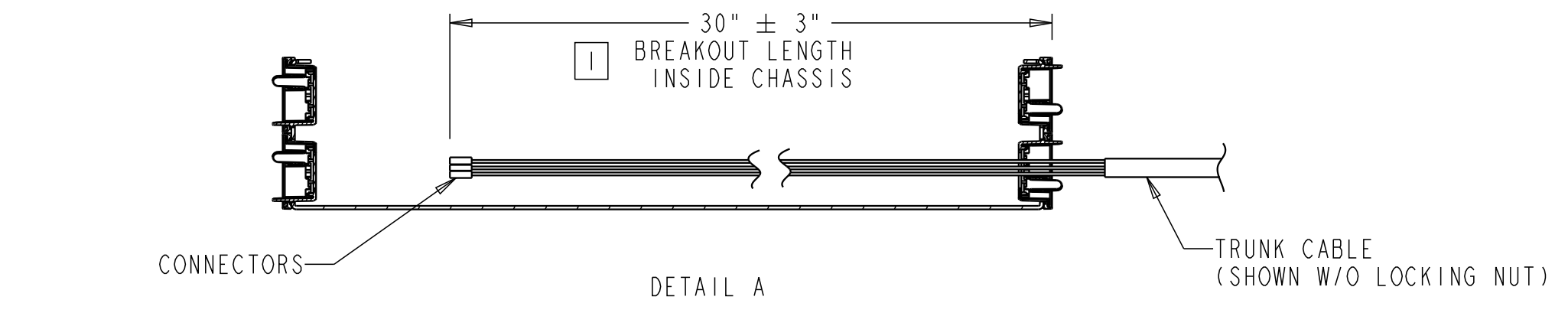
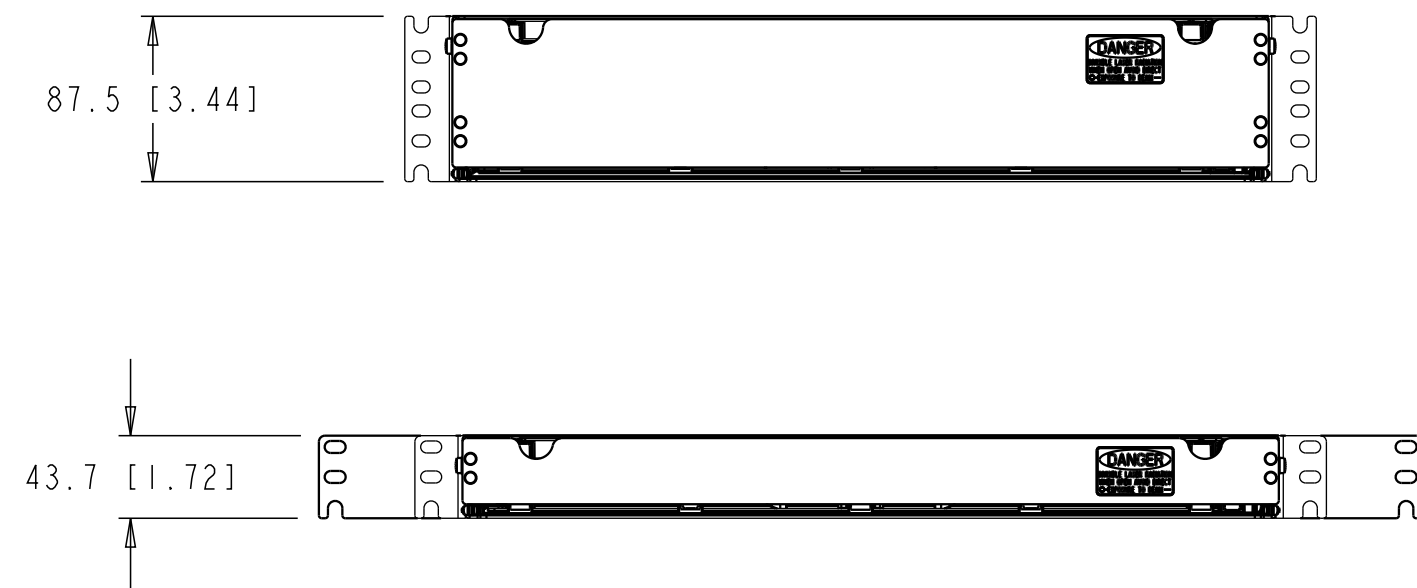
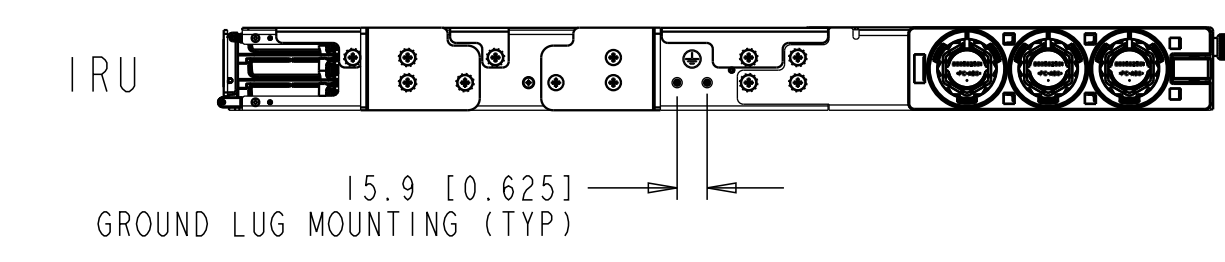
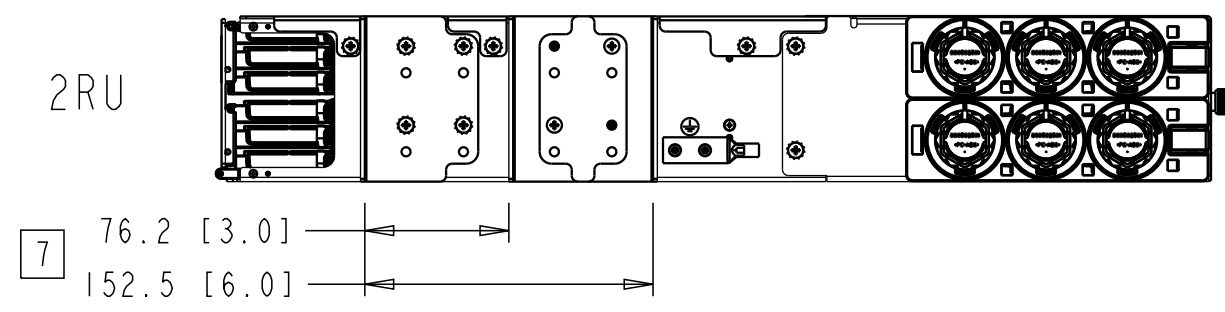
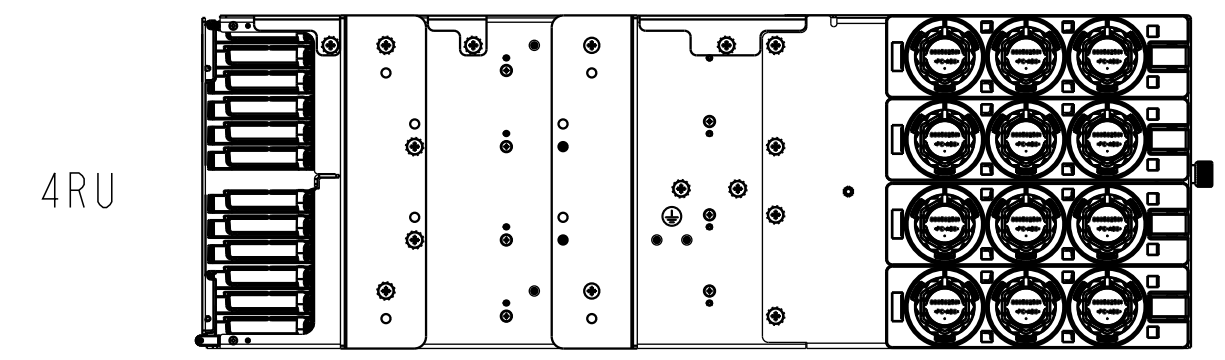
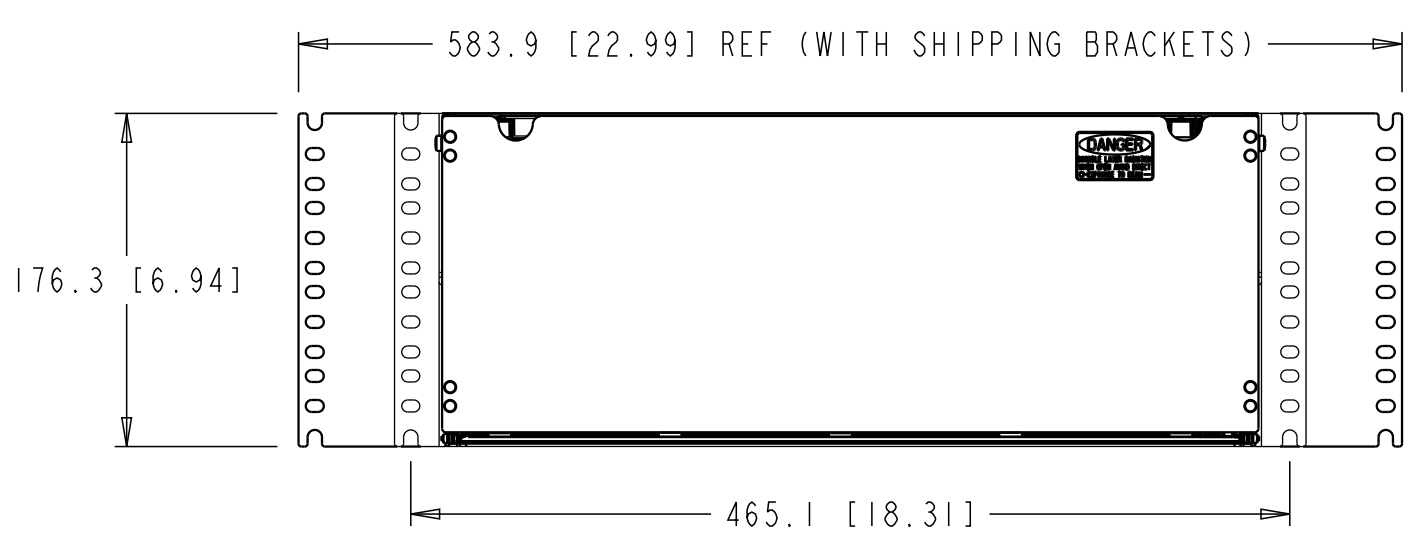
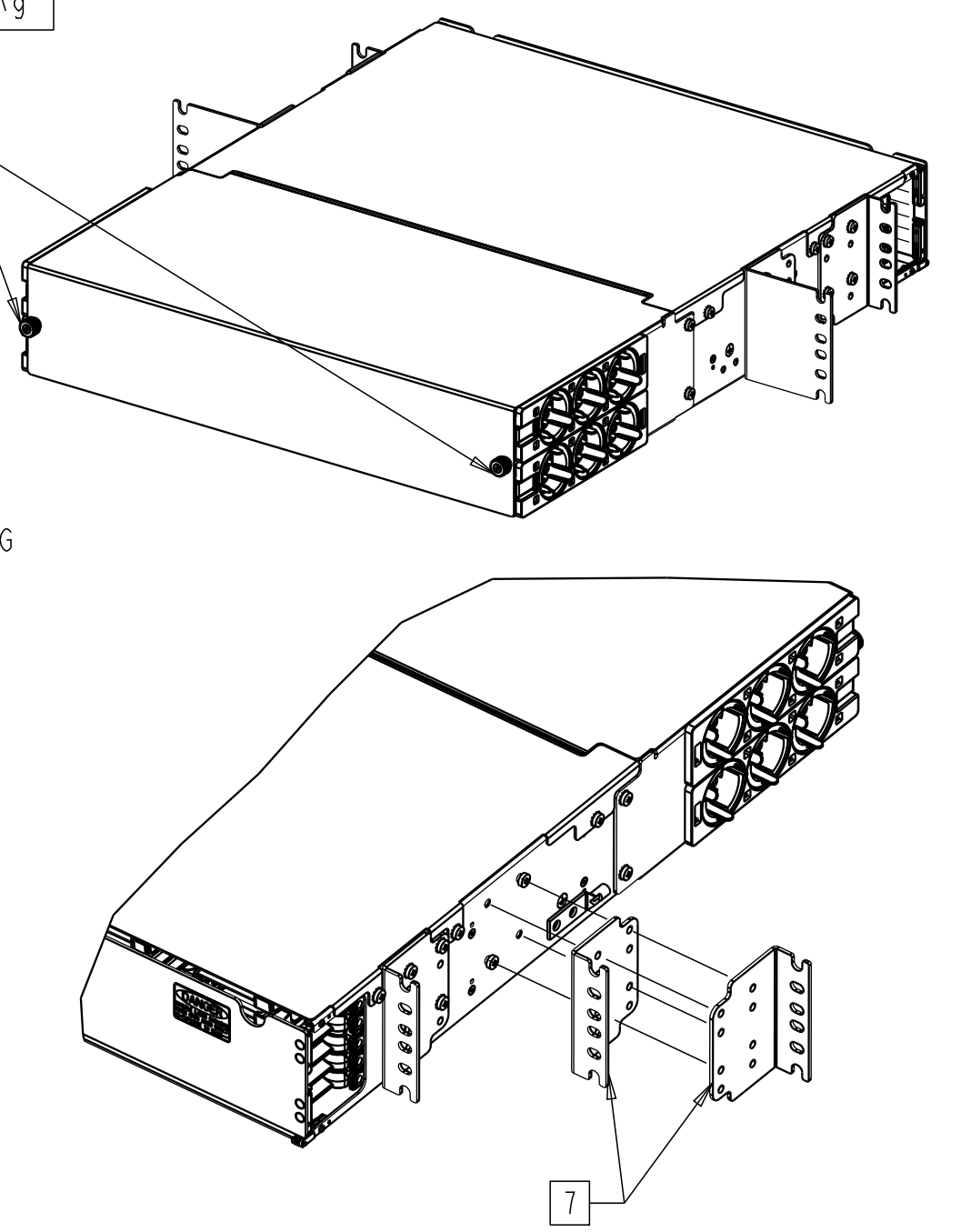
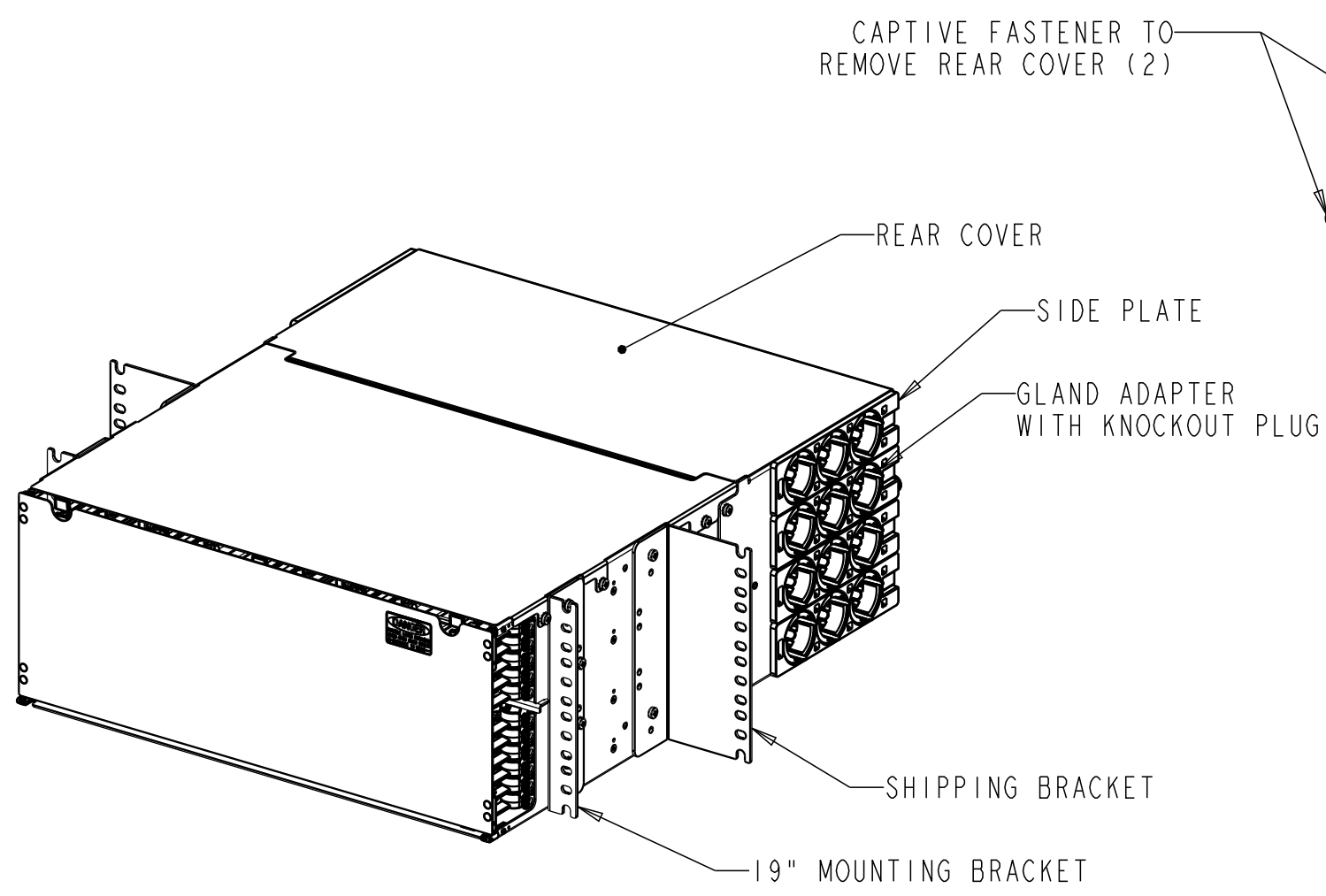
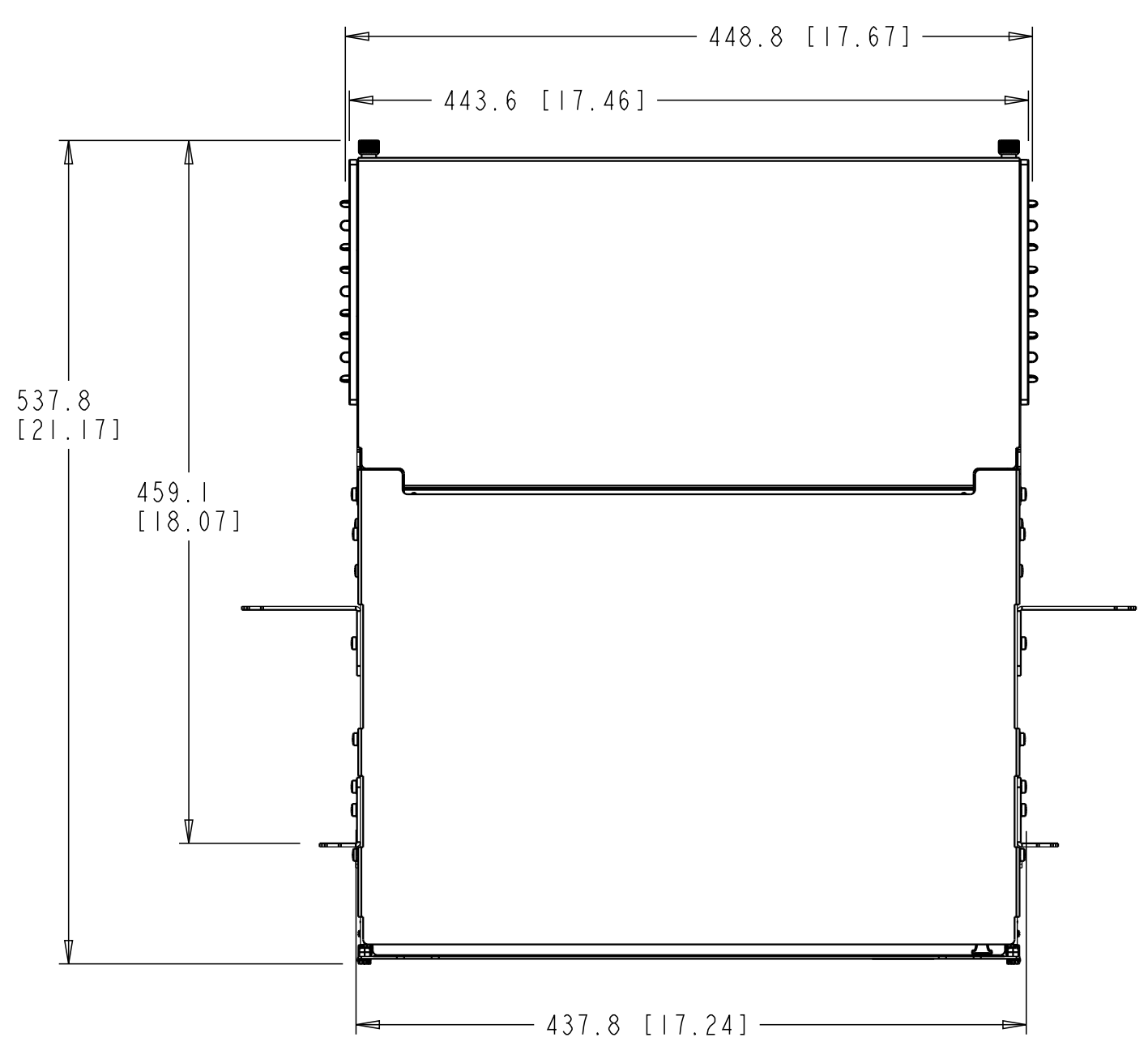
B

C

D

WEIGHT	WITHOUT PACKAGING	WITH PACKAGING
1RU	14.0 lb / 6.4 Kg	19.5 lb / 8.9 Kg
2RU	19.4 lb / 8.8 Kg	25.6 lb / 11.6 Kg
4RU	32.4 lb / 14.7 Kg	42.0 lb / 19.1 Kg

REV	MCO	DWN	DATE
A	40033060MCO	RCS	23-AUG-16
B	40032998MCO	RCS	03-OCT-16



- NOTES:
- RECOMMENDED BREAKOUT LENGTH INSIDE CHASSIS IS 760mm ± 76mm (30.0" ± 3.0"). (SEE DETAIL 'A') MAXIMUM BREAKOUT TUBE DIAMETER IS 3.8mm.
 - ARMORED CABLE SHOULD BE SECURED AND GROUNDED TO RACK OR CABINET. BREAKOUTS FROM ARMORED CABLE SHOULD FOLLOW NOTE #1 FOR BREAKOUT LENGTH INSIDE CHASSIS.
 - RECOMMENDED MAXIMUM DIAMETER OF BREAKOUT BUNDLE: 20.3mm (0.80"). MINIMUM DIAMETER: NONE.
 - RECOMMENDED FURCATION TUBE DIAMETER: 1.6mm - 3.0mm. MAXIMUM FURCATION TUBE DIAMETER: 3.8mm
 - REMOVE REAR SIDE PLATES OR GLAND ADAPTERS TO INSTALL CHASSIS IN RACK/CABINET, IF NECESSARY.
 - SHIP ALONG HARDWARE INSTALLATION PACK INCLUDES:
 - 4 - #12-24 SCREWS AND LOCK WASHERS
 - 4 - M6 SCREWS AND LOCK WASHERS
 - VELCRO STRAP - (5')
 - 2 - M4 X 6mm SCREWS/WASHERS FOR GROUNDING LUG (LUG NOT INCLUDED).
 - OPTIONAL MOUNTING BRACKET POSITIONS (ALL CHASSIS).
 - REDUCED BEND RADIUS (RBR) FIBER RECOMMENDED FOR OPTIMUM OPTICAL PERFORMANCE.

300100118739	B
TCPN	REV

© 2016 COMMSCOPE, INC. CONFIDENTIAL NOTICE: THESE DRAWINGS AND SPECIFICATIONS ARE THE PROPRIETARY PROPERTY OF COMMSCOPE, INC. AND MAY BE USED ONLY FOR THE SPECIFIC PURPOSE AUTHORIZED IN WRITING BY COMMSCOPE, INC.		TITLE EHD CHASSIS INSTALL DRAWING	
ALL DIMS AND TOLERANCES ARE MILLIMETERS UNLESS OTHERWISE SPECIFIED	ANGULAR: EN/A	C SIZE DRAWING NUMBER 300100118739	B REV
DO NOT SCALE DRAWING	ENGR: DAVE JOHNSEN DWN: R. SCHOENFELDER	SHT. 1 OF 1	

COMMSCOPE, INC.

DIMENSIONS IN MILLIMETERS FIRST ANGLE PROJECTION