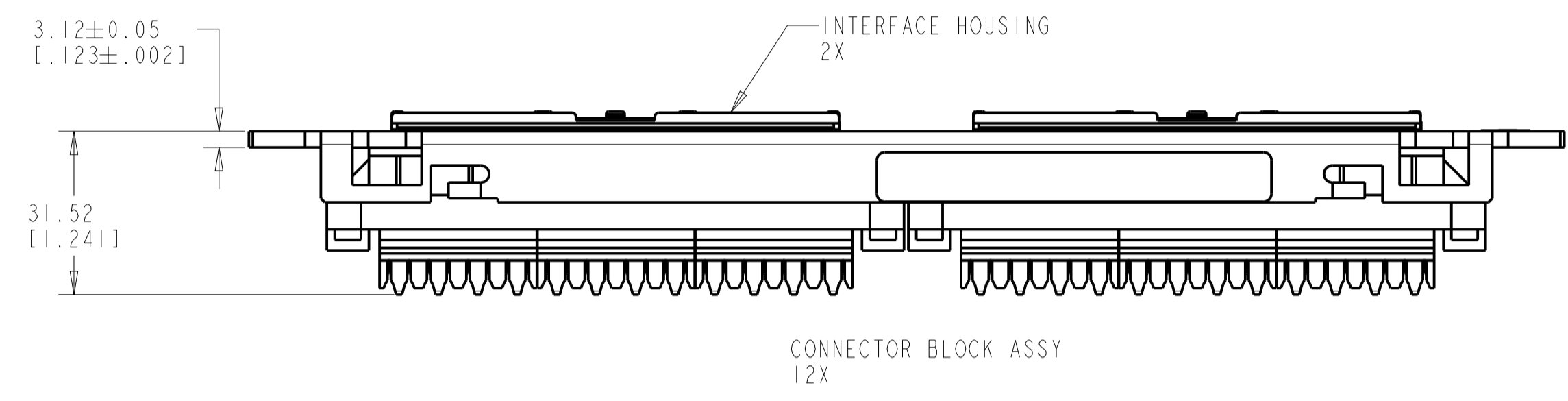
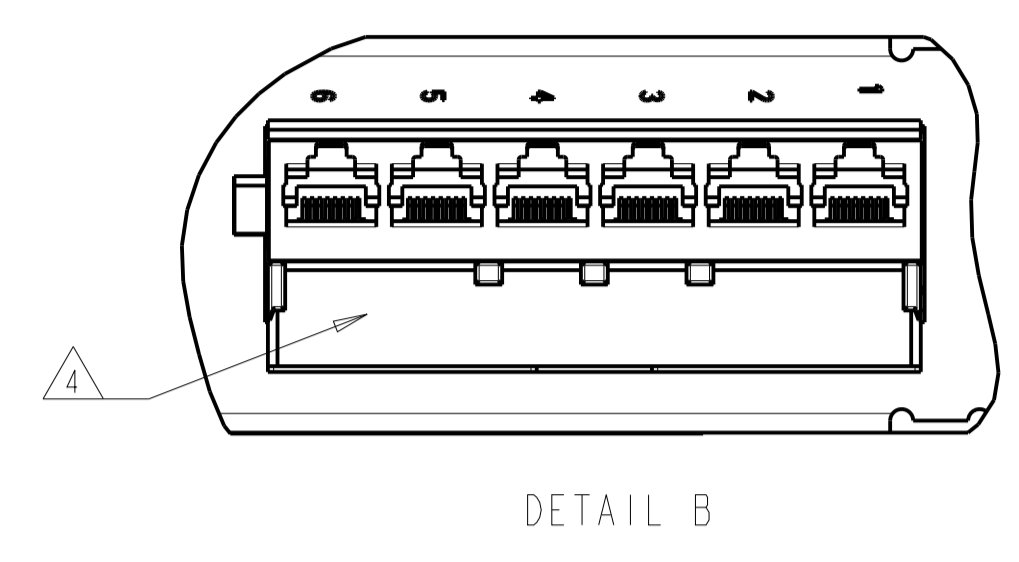
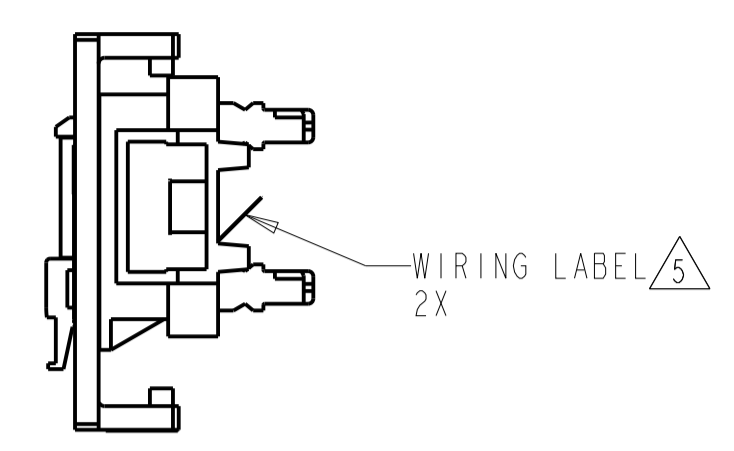
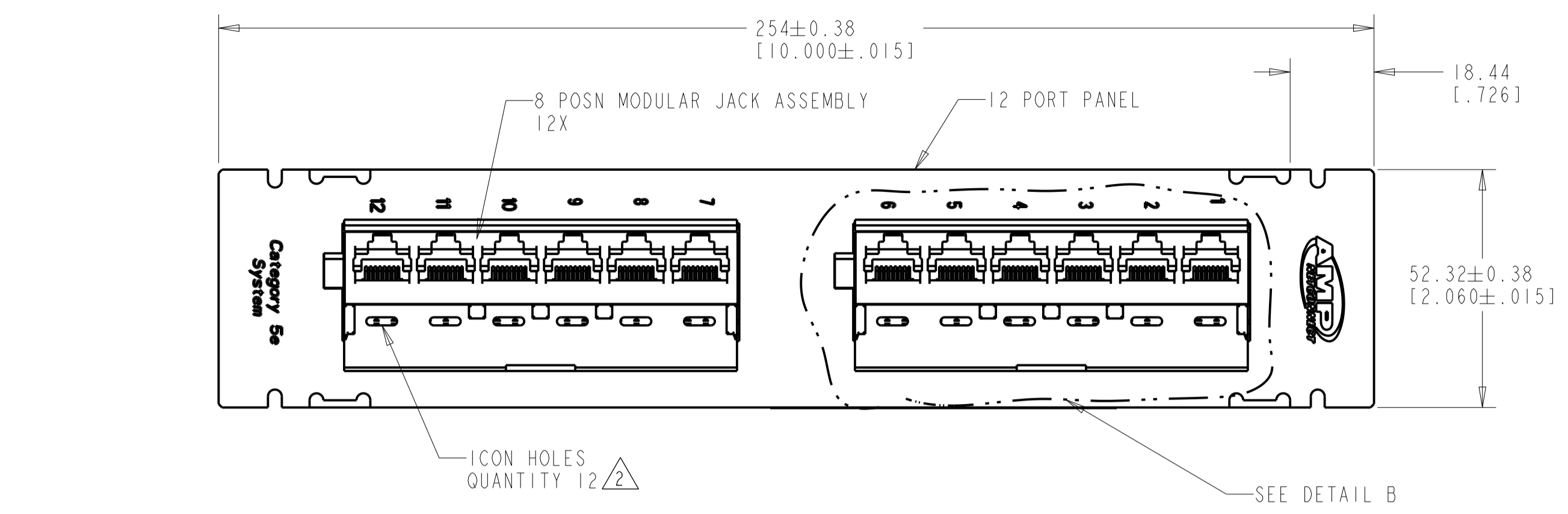
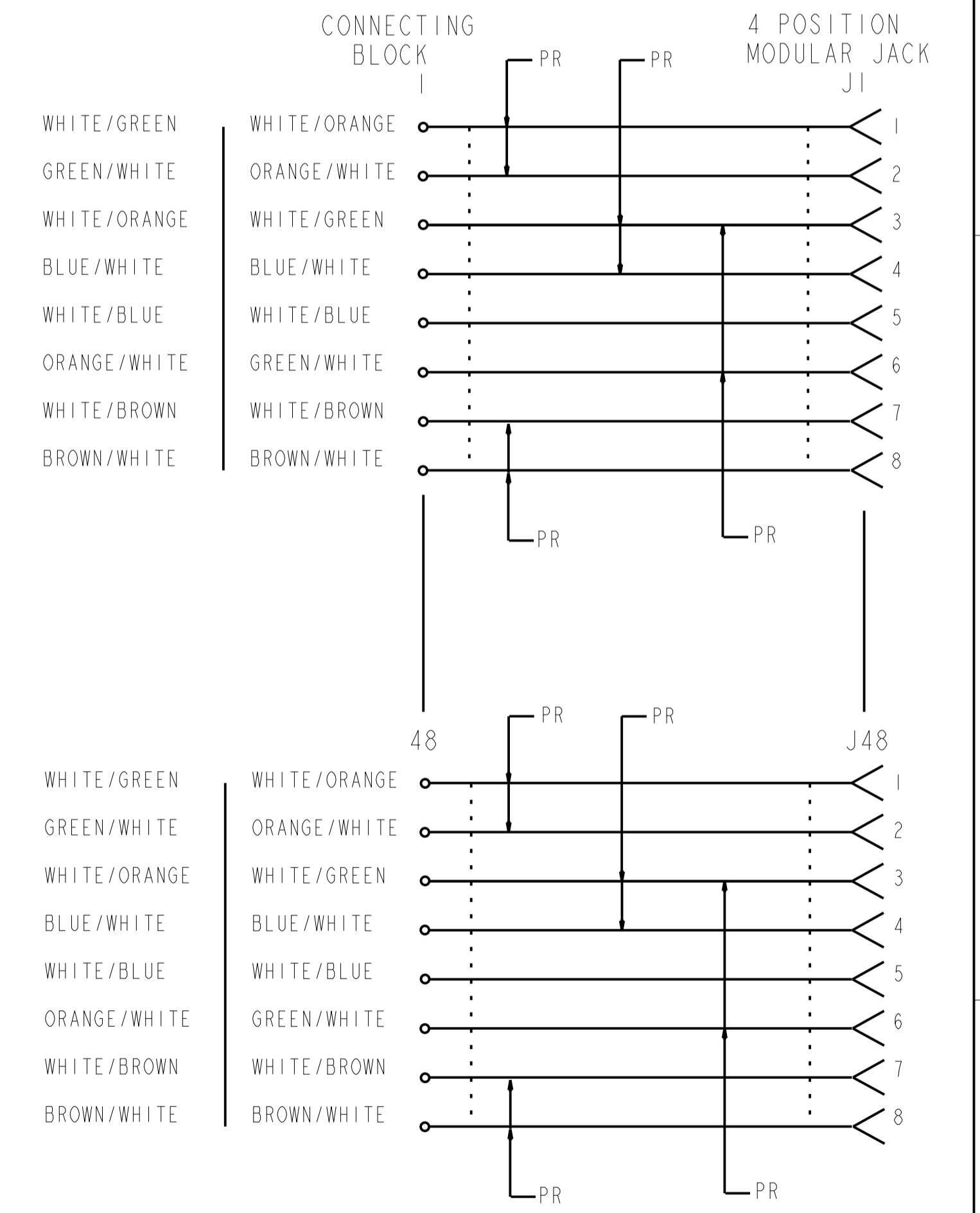
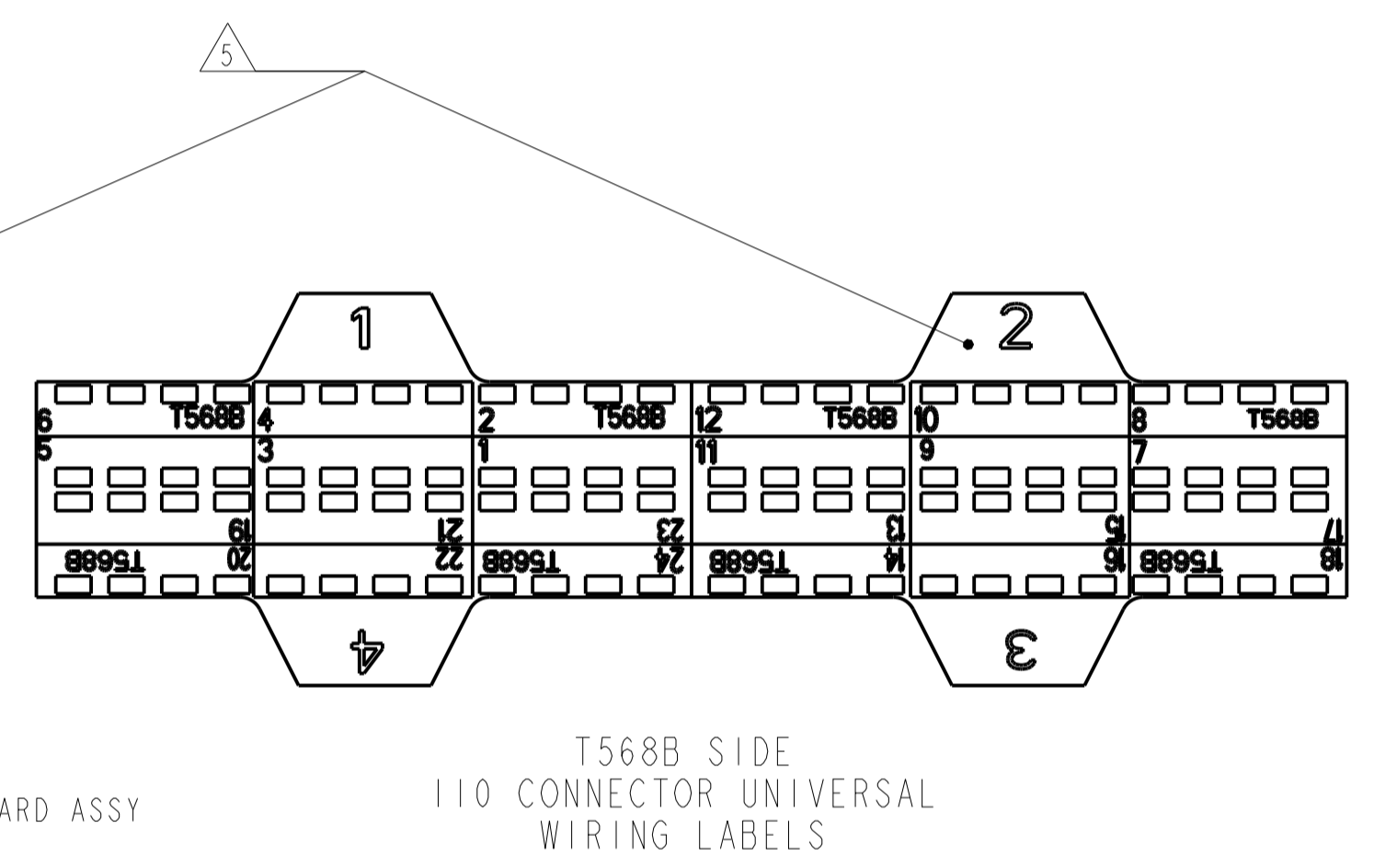
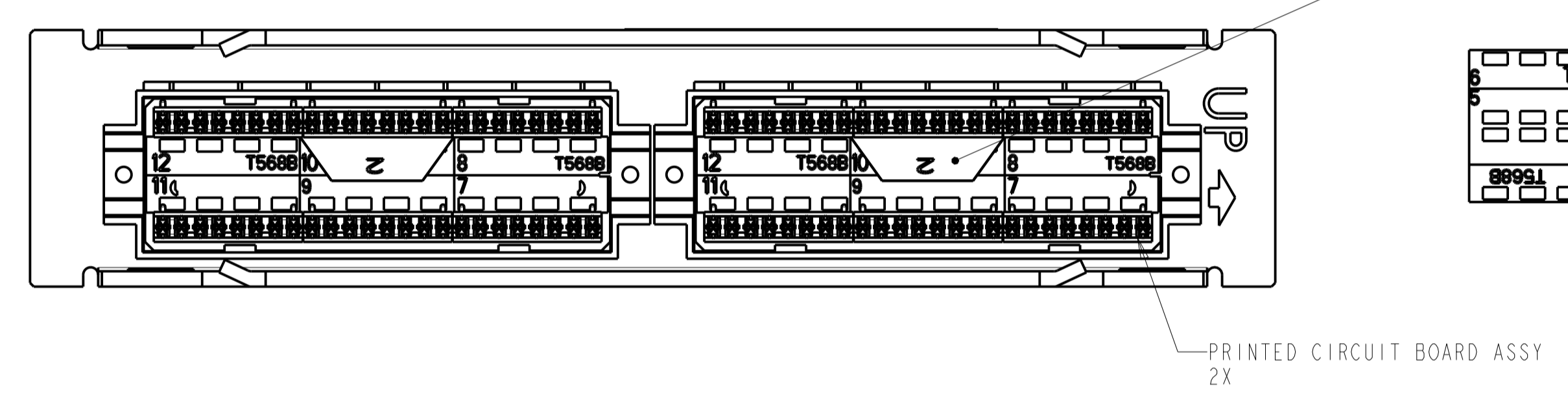


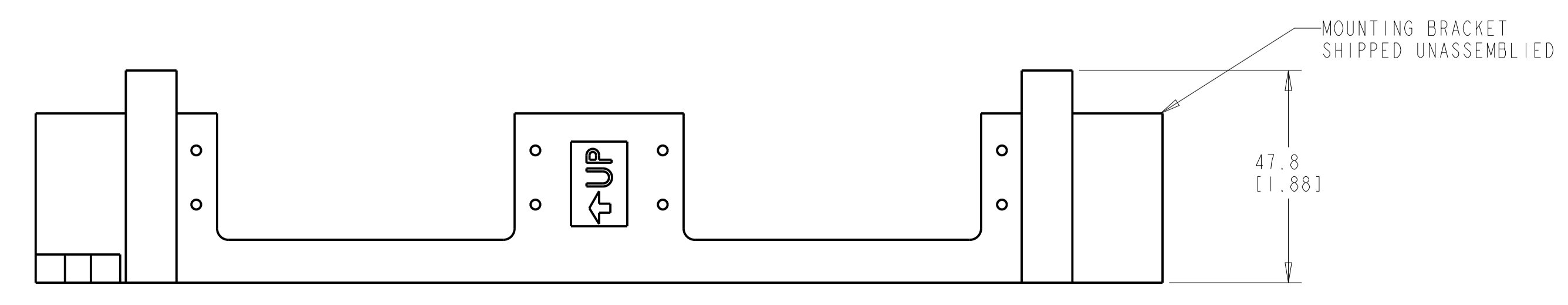
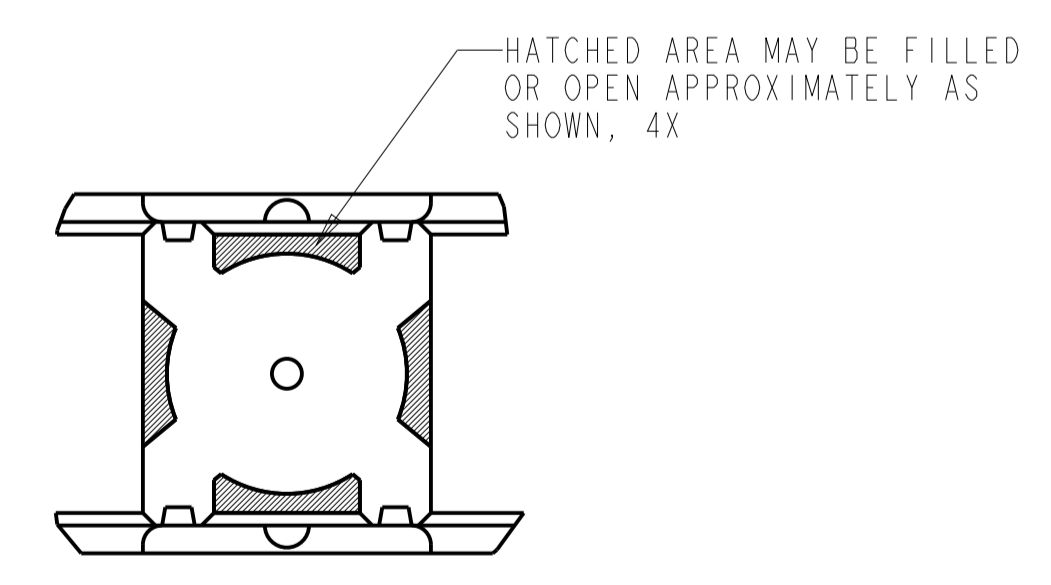
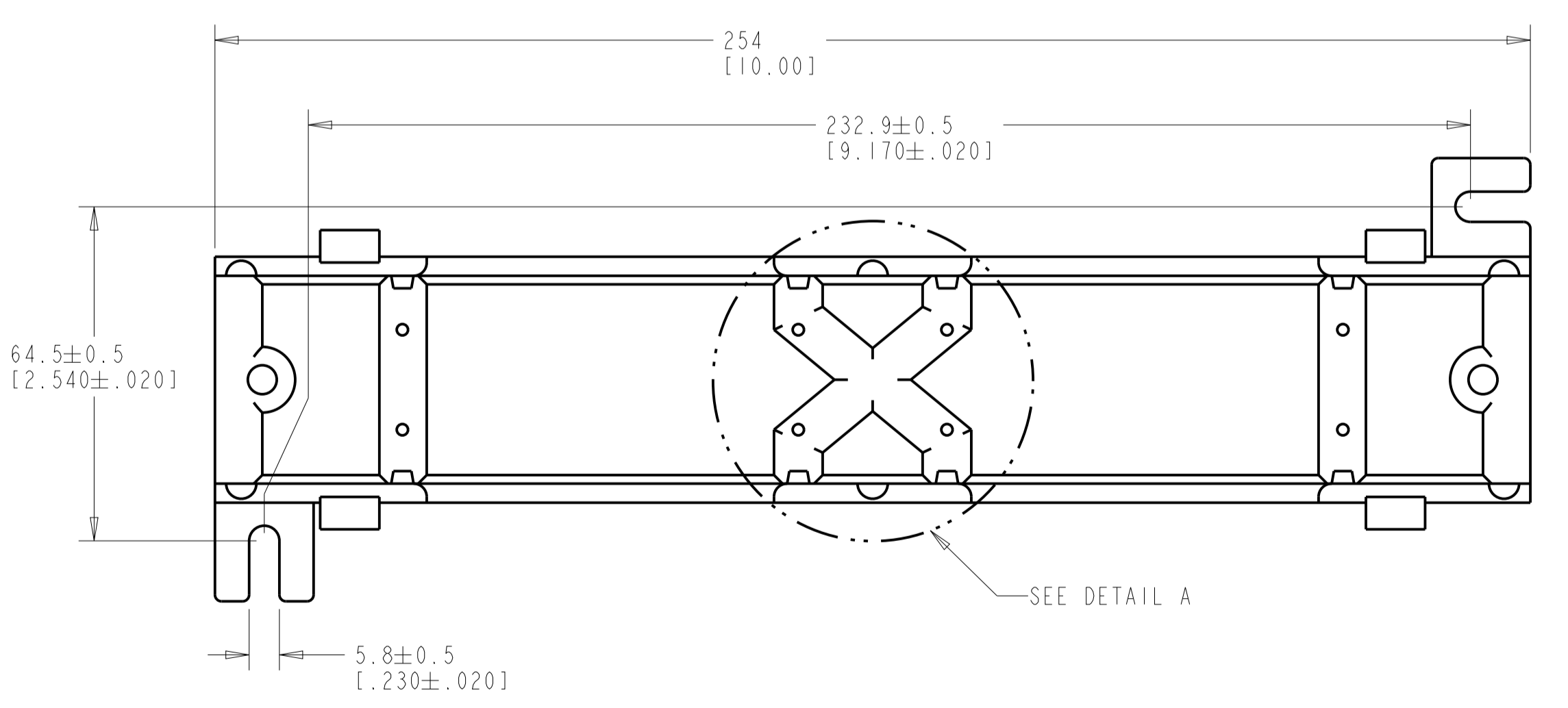
| REVISIONS |                    |             |           |       |
|-----------|--------------------|-------------|-----------|-------|
| REV       | LTN                | DESCRIPTION | DATE      | APPV  |
| G         | ECR-05-003051      |             | 03AUG2005 | JM SH |
| H         | REV: ECO-05-014461 |             | 30NOV2005 | GG SH |
| J         | REV BNS_CD_BRAND   |             | 10FEB2017 | GG DC |



- △ MATERIAL:  
 CONNECTOR HOUSING, INTERFACE: POLYESTER MOLDING COMPOUND, BLACK.  
 MOUNTING BRACKET: POLYCARBONATE, WHITE.  
 PANEL: BLACK POWDER COAT ALUMINUM WITH WHITE MARKINGS.  
 PC BOARD: COPPER CLAD LAMINATED SUBSTRATE
- △ ICONS MAY BE PURCHASED SEPARATELY.
- 3. THREE WIRE TIES AND ONE MOUNTING BRACKET FOR INSTALLATION OF 12 PORT PANEL ASSEMBLY ARE SHIPPED LOOSE. WIRE TIES NOT SHOWN ON DRAWING.
- △ ONE SHEET OF BEZEL LABELS AND ONE SHEET OF CLEAR COVERS SHIPPED LOOSE. ONE LABEL SHOWN INSTALLED AT LOCATION INDICATED.
- △ ONE SHEET OF FOUR PER SHEET 110 CONNECTOR UNIVERSAL WIRING LABELS ARE SHIPPED LOOSE. ONE SIDE IS FOR T568A WIRING AND THE OPPOSITE SIDE FOR T568B WIRING. ONE LABEL SHOWN INSTALLED AT LOCATION INDICATED.



ELECTRICAL SCHEMATIC  
 T568A OR T568B



|  |           |                          |  |
|--|-----------|--------------------------|--|
| THIS DRAWING IS A CONTROLLED DOCUMENT. |           | OWN: T. PIITS 04APR01    | <b>COMMSCOPE, INC.</b><br>PATCH PANEL KIT, 12P, UNIV WIRING RJ45, CAT 5E |
| DIMENSIONS: MM [INCHES]                |           | CHK: L. SMITH 04APR01    |  |
| TOLERANCES UNLESS OTHERWISE SPECIFIED: |           | APPV: S. HERNDON 04APR01 | NAME: -  |
| 0 PLC ±                                | 1 PLC ±   | PRODUCT SPEC             | SIZE: -  |
| 2 PLC ±                                | 3 PLC ±   | APPLICATION SPEC         | SCALE: -   |
| 4 PLC ±                                | ANGLES ±  | WEIGHT: -                | RESTRICTED TO: -   |
| MATERIAL: △                            | FINISH: △ | CUSTOMER DRAWING         | SHEET 1 OF 1<br>C=406390<br>SCALE 1:1                                    |