

SL, Secure SL, E, KJ and M Series Modular Jacks

MODULAR JACK	CABLE STANDARD
SL Series	Categories 3, 5e, 6
Secure SL Series	Categories 6
E, KJ and M Series	Categories 5e, 6

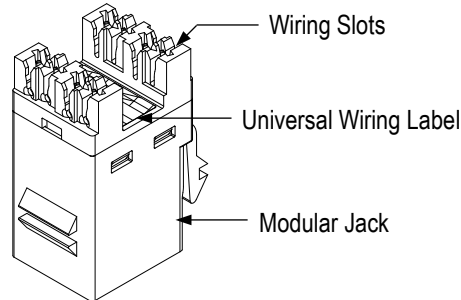


Figure 1

1. INTRODUCTION

This instruction sheet provides the termination procedure for the modular jacks given in Figure 1. To obtain information on products, contact your local **CommScope®** account representative, PartnerPRO™ Network Partner or visit our website at www.commscope.com.



NOTE

Dimensions in this instruction sheet are in metric units [with U.S. customary units in brackets]. Figures are not drawn to scale.

Reasons for reissue of this instruction sheet are provided in Section 6, REVISION SUMMARY.

2. DESCRIPTION

Each modular jack accepts 4-pair, twisted-pair cable with solid conductor sizes 24 through 22 AWG or stranded conductor sizes 26 through 24 AWG with a maximum conductor insulation diameter of 1.45 mm [.057 in.]. The modular jack features a universal wiring label used to aid in proper wire color coding and a wiring block that terminates the wire. See Figure 1. Optional strain reliefs are available separately.

3. TERMINATION

1. If using an optional strain relief, slide it over the cable jacket. Refer to Figure 2.
2. Strip only as much of the cable jacket as necessary to perform the termination. If using an optional strain relief, refer to Section 4 for total height of modular jack after installation.



NOTE

Generally, a strip length of 35 mm [1.378 in.] when using SL series modular jack tool kit 1725150-1 for termination will suffice and 50.8 mm [2.0 in.] when using impact tool 1583608-1. The preferred choice of termination tool is SL series modular jack tool kit and the secondary choice is the impact tool.

Note: Not to Scale

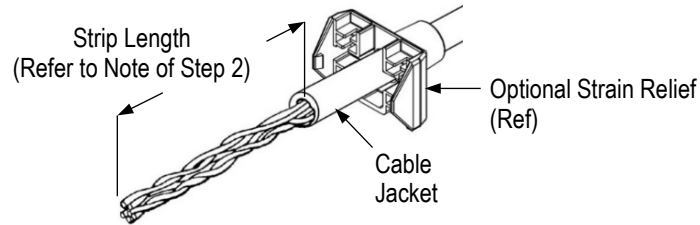


Figure 2

3.2. Using SL Series Modular Jack Tool Kit (Preferred Choice)

Figure 3 shows a general termination procedure when using the SL series modular jack tool kit. For detailed information, refer to instruction sheet **408-8858**.

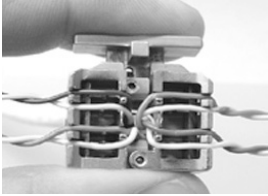
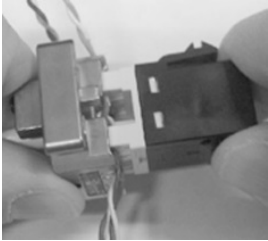
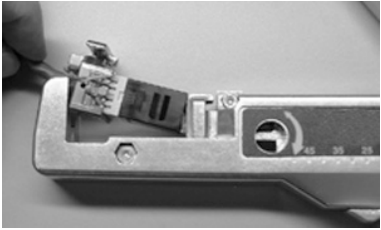
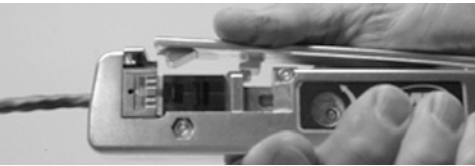
- ① Close lacing fixture around cable, then lace wires according to wiring label maintaining twisted ends as shown. 
- ② Firmly press modular jack into lacing fixture, aligning the color-coded wires. 
- ③ Insert lacing fixture (with modular jack) into tool as shown. Ensure modular jack is aligned properly before compressing tool handle. 
- ④ Compress tool handle and remove trimmed wires while handle is closed. 
- ⑤ Remove modular jack by moving it back and forth.

Figure 3

3.3. Using Impact Tool (Secondary Choice)

1. Align and lace a color-coded wire pair with the appropriate slots of the modular jack as indicated by the color coding on the universal wiring label. Use the following minimum slack while maintaining twist:
Category 3e — 75 mm [3 in.] Category 5e — 12.7 mm [.50 in.] Category 6 — 6 mm [.24 in.]
2. Set the impact tool setting for low-impact. Position the tool so the cutoff blade is on the outside of the modular jack and oriented vertically.
3. Using the impact tool, punch the wires down into the slot, and cut off excess wire. Remove any loose wire pieces.

4. INSTALLING OPTIONAL STRAIN RELIEF

The strain relief is not necessary for ensuring proper function of the modular jack. When installed in enclosures where space is limited the modular jack is capable of performing with cable bend up to 90 degrees as seen in Figure 4. It is recommended for use in areas where the cable may remain unsupported after exiting the modular jack.

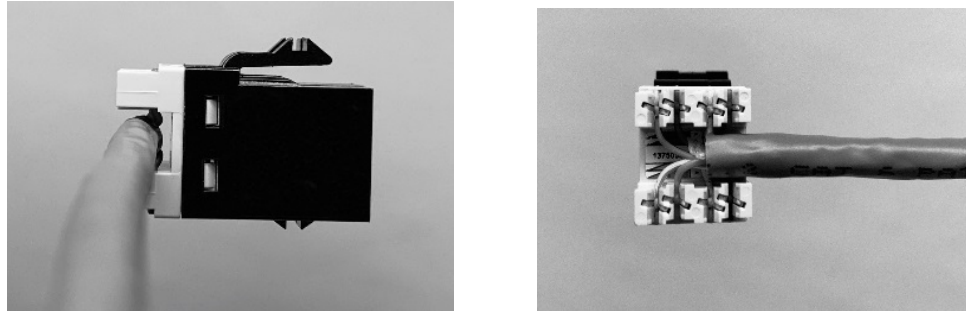


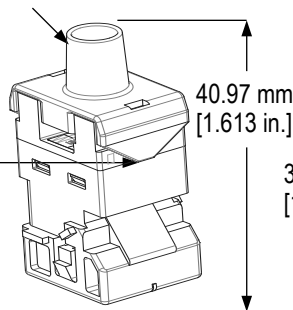
Figure 4

If using, slide the optional strain relief onto the modular jack until the latches of the strain relief engage of the modular jack as shown in Figure 5. The required total height of the modular jack with the strain relief installed is given in Figure 5.

**Optional Straight Entry Strain Relief
 1375200-1 (Category 6), 1375200-2 (Category 5e)**

Note: For Clarity, Cable and Wires Not Shown

Strain Relief Latch
 (2 Places) Engaged
 with Modular Jack Tabs



**Optional Universal Space-Limiting or Side-Entry
 Strain Relief 1375157-1**

Strain Relief Latch
 (2 Places) Engaged
 with Modular Jack Tabs

31.47 mm
 [1.239 in.]

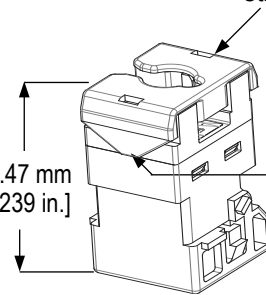


Figure 5

5. M-SERIES JACK REMOVAL FROM PANEL OR FACEPLATE

To remove jack from panel, insert jack removal tool to depress jack latches from bezel, as shown in Figure 6.

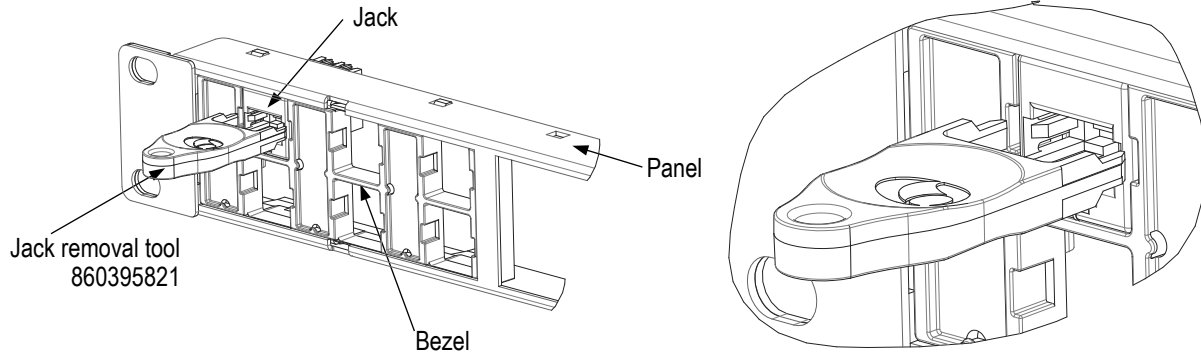


Figure 6

6. REPLACEMENT

Do not use damaged or defective product. These modular jacks are not repairable.

7. REVISION SUMMARY

Revisions to this instruction sheet include:

- Added M-Series Modular Jack
- Added section 5, "M-SERIES JACK REMOVAL FROM PANEL OR FACEPLATE"