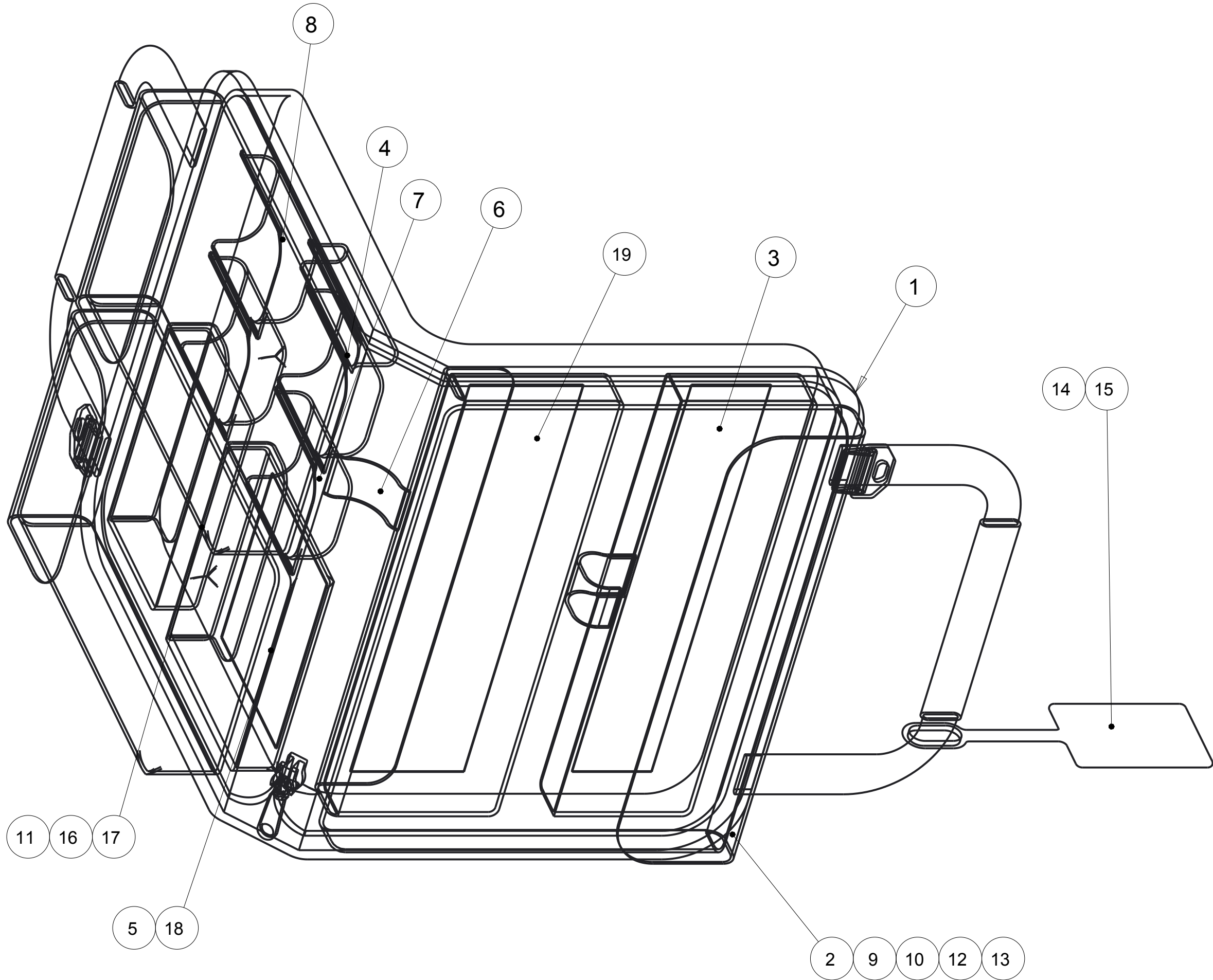


THIS DRAWING IS UNPUBLISHED. RELEASED FOR PUBLICATION
 © 2016 COMMSCOPE, INC. CONFIDENTIAL NOTICE: THESE DRAWINGS AND SPECIFICATIONS ARE THE PROPRIETARY PROPERTY OF COMMSCOPE, INC. AND MAY BE USED ONLY FOR THE SPECIFIC PURPOSE AUTHORIZED IN WRITING BY COMMSCOPE, INC.

REVISIONS					
P	LTR	DESCRIPTION	DATE	DWN	APVD
Z		REVISE PER ECR-05-005983	01AUG2005	BB	DK
AA		REBRANDING	23DEC2016		



SUPERCEDED BY:
503330-3

1	1	-	MICROSCOPE W/10x OBJECTIVE	1754767-1	19
1	1	1	CABLE PREP TEMPLATE (XTC/NeXTC)	503574-1	18
1	1	1	POLISHING BUSHING, BEIGE PLASTIC	503304-2	17
1	1	1	POLISHING BUSHING, BLACK PLASTIC	503304-1	16
1	1	-	CASE LABEL	-	15
-	-	1	CASE LABEL	-	14
1	1	1	POLISH PAD (RECTANGULAR)	504584-1	13
1	1	1	POLISH PAD (CIRCULAR)	501523-1	12
1	1	1	POLISHING BUSHING, METAL	503337-1	11
10	10	10	LAPPING FILM, 5um	228433-8	10
10	10	10	LAPPING FILM, 0.3um	228433-5	9
1	1	1	MICRO STRIP TOOL, (.008)	492109-2	8
1	1	1	COMBINATION STRIP TOOL	1278947-1	7
1	1	1	SCISSORS	501014-1	6
1	1	1	UNIVERSAL CLEAVE TOOL	503705-1	5
1	1	1	CABLE STRIPPER	1278531-1	4
1	1	1	HAND TOOL, W/DIESET (XTC/NeXTC)	492623-1	3
1	1	1	POLISH PLATE	501197-1	2
1	1	1	PREMIUM SOFTCASE	-	1
-3	-2	-1	DESCRIPTION	PART NUMBER	ITEM

THIS DRAWING IS A CONTROLLED DOCUMENT.		DWN B.BRIGGS 01AUG2005	COMMSCOPE, INC.					
DIMENSIONS: mm		CHK D.KIRSCH 01AUG2005				TERMINATION KIT, LightCrimp XTC		
TOLERANCES UNLESS OTHERWISE SPECIFIED: 0 PLC ± 1 PLC ± 2 PLC ± 3 PLC ± 4 PLC ±		APVD S.BUCHTER 01AUG2005						
MATERIAL		PRODUCT SPEC APPLICATION SPEC WEIGHT				SIZE A2	CAGE CODE C-503330	DRAWING NO. 503330
		CUSTOMER DRAWING	RESTRICTED TO	SCALE 1:2	SHEET 1 OF 1			