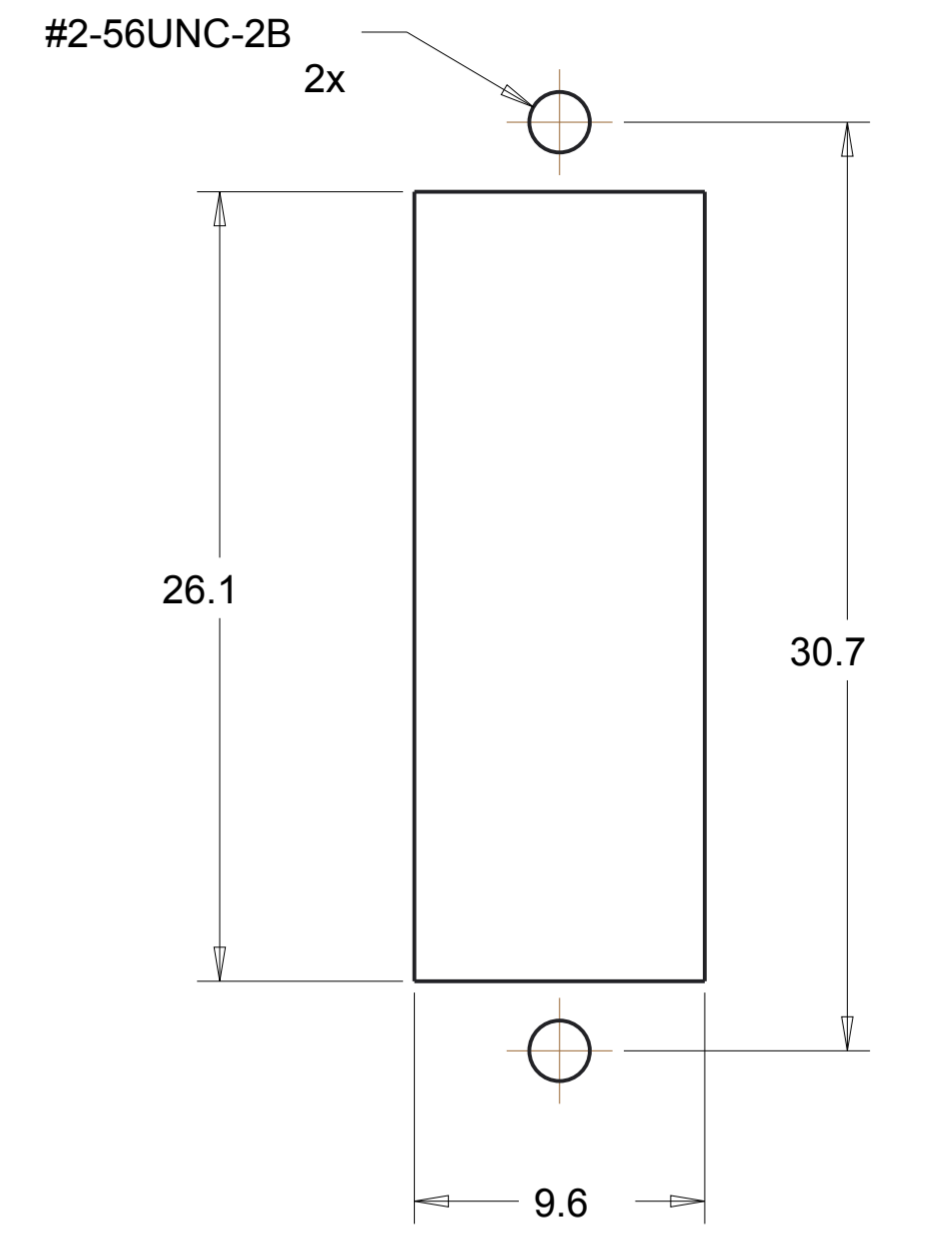
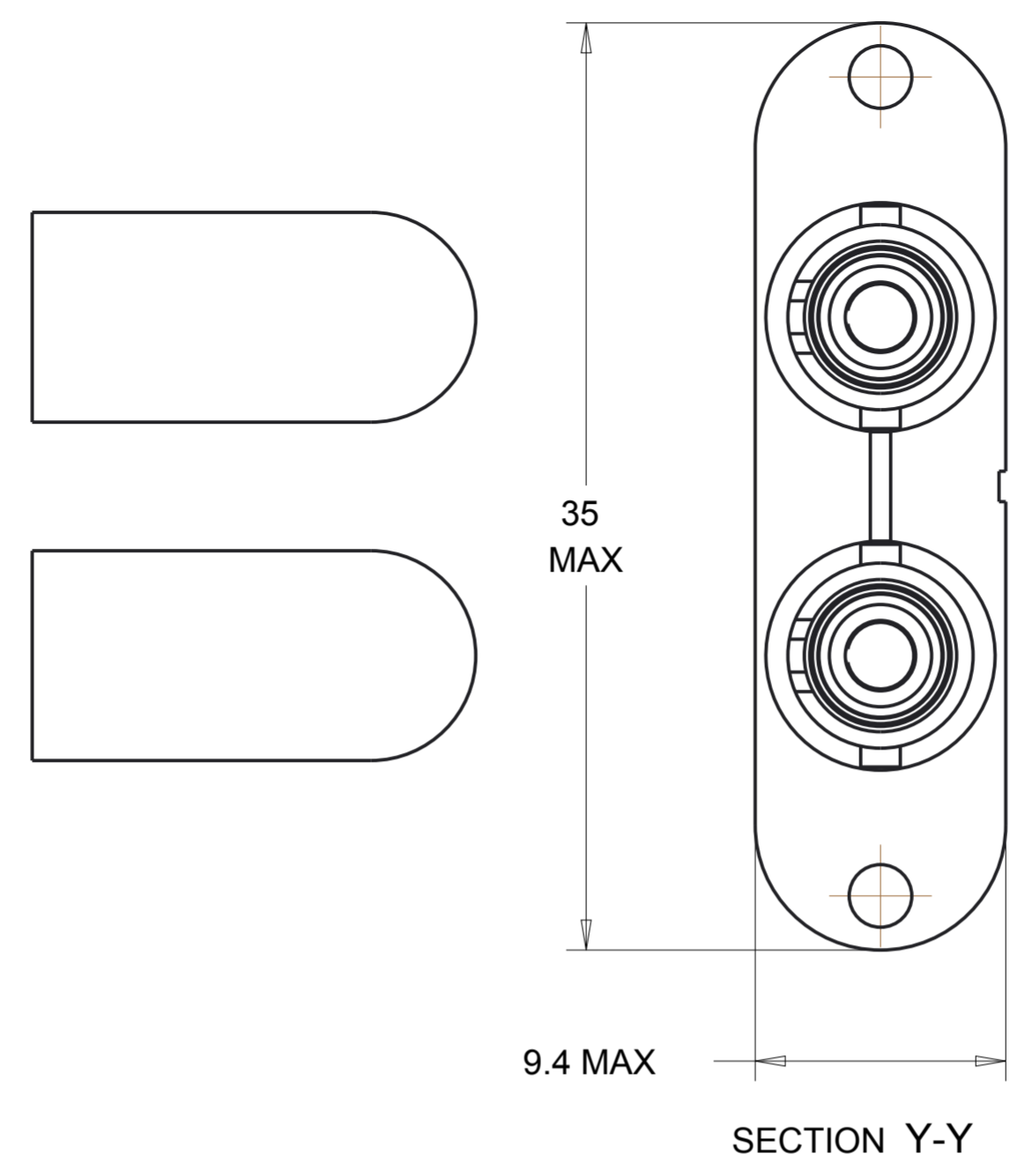
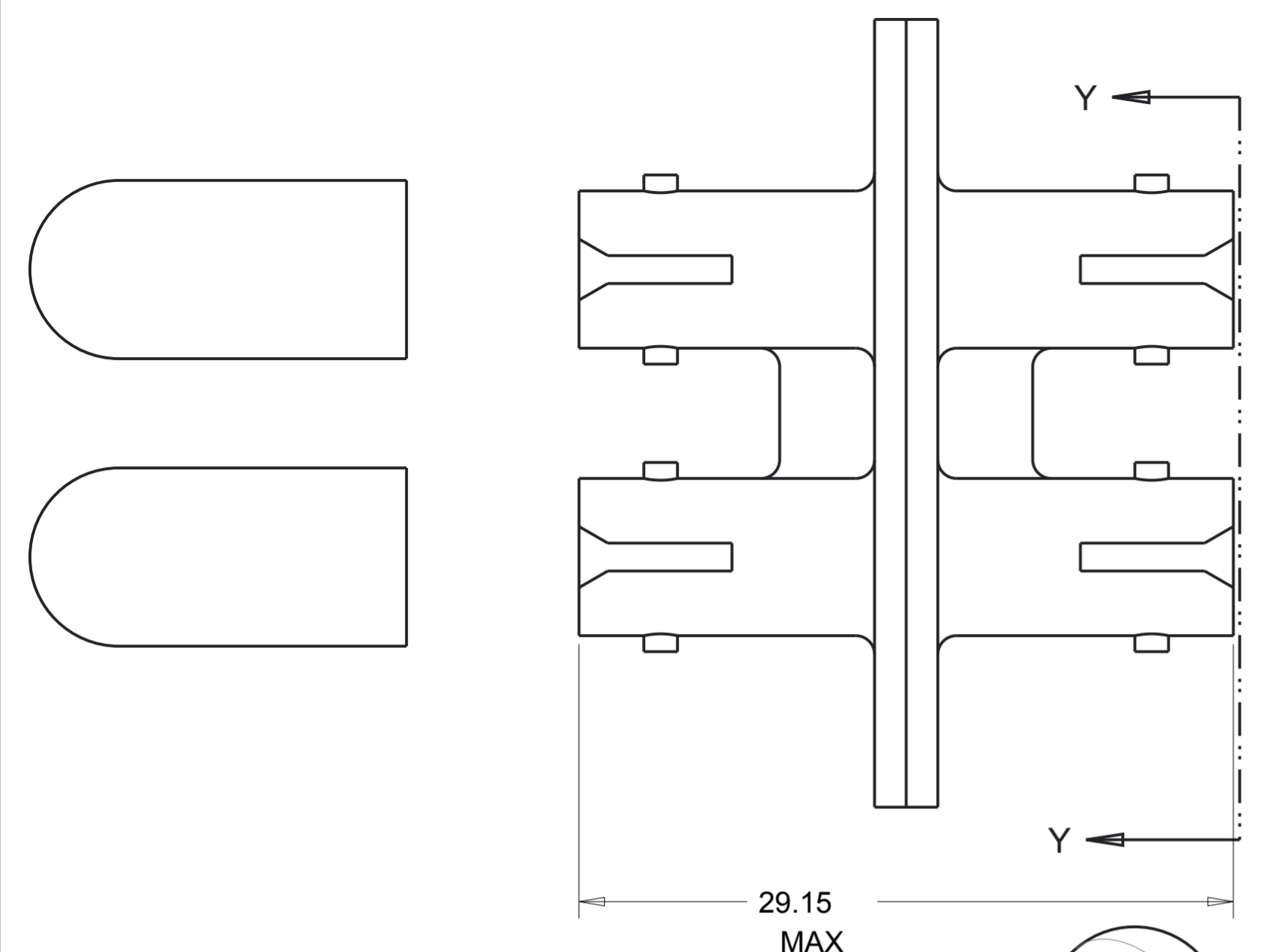


THIS DRAWING IS UNPUBLISHED. RELEASED FOR PUBLICATION
 © 2016 COMMSCOPE, INC. CONFIDENTIAL NOTICE: THESE DRAWINGS AND SPECIFICATIONS ARE THE PROPRIETARY PROPERTY OF COMMSCOPE, INC. AND MAY BE USED ONLY FOR THE SPECIFIC PURPOSE AUTHORIZED IN WRITING BY COMMSCOPE, INC.

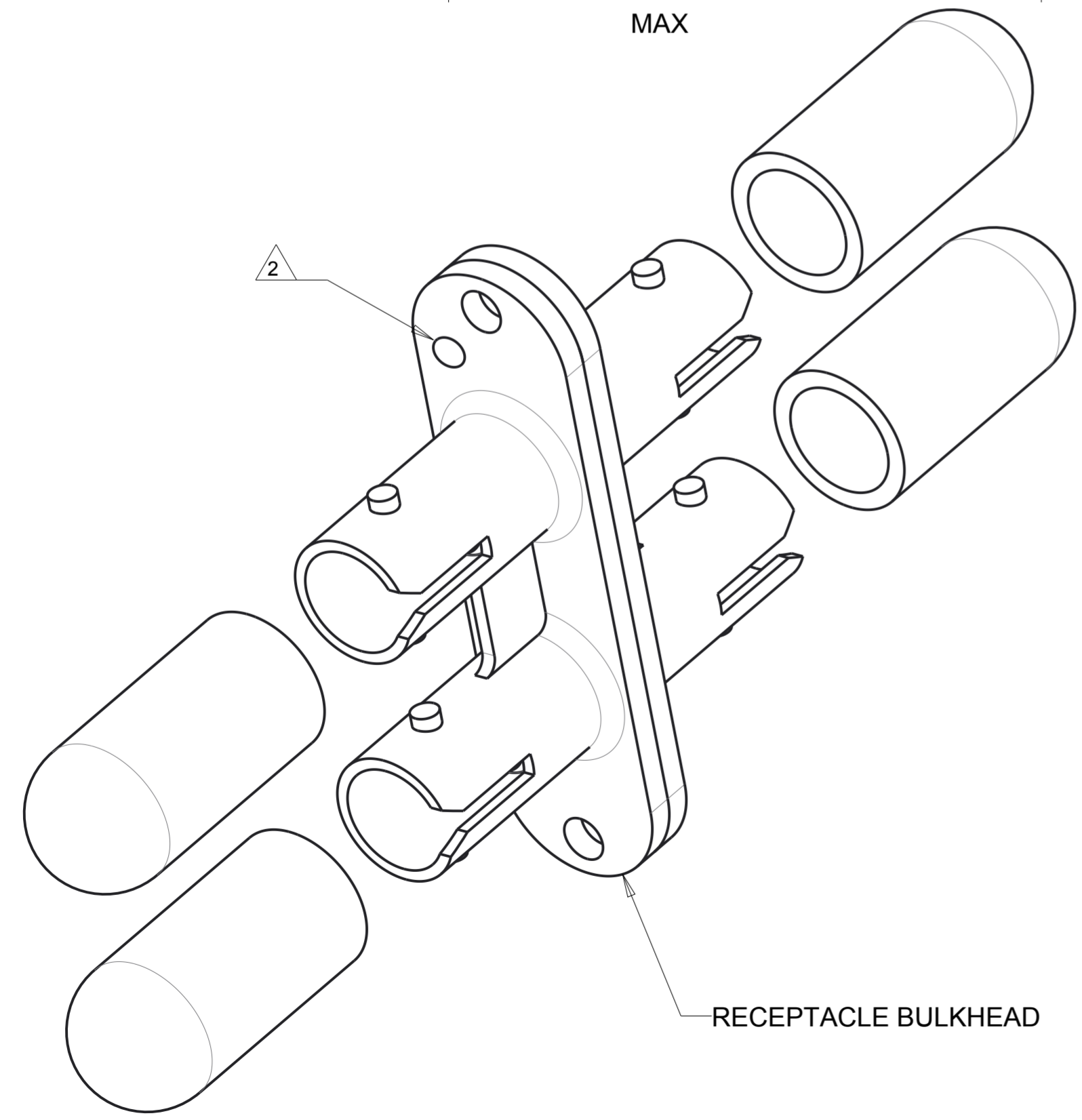
REVISIONS					
P	LTR	DESCRIPTION	DATE	DWN	APVD
C1		REVISED PER ECO-11-005027	16MAY2011	RK	HMR
D		REBRANDING	16DEC2016		



SUGGESTED PANEL CUTOUT
 MAXIMUM PANEL THICKNESS 1.7

1 MATERIAL:
 PROTECTIVE CAP: VINYL
 COUPLING RECEPTACLE:
 HOUSING: PPE AND PS, UL94 V-0 RATED AT QUALIFYING THICKNESS,
 SEE DASH NUMBER FOR COLOR.
 SLEEVE: METAL

2 PART IDENTIFIER.



BEIGE	504662-2
LT. ALMOND	504662-1
COLOR	MATERIAL

THIS DRAWING IS A CONTROLLED DOCUMENT.		DWN B.BRIGGS 31OCT2005	COMMSCOPE, INC. NAME DUPLEX RECEPTACLE KIT, MULTIMODE, BULKHEAD, AMP ST-ST				
DIMENSIONS:		CHK S.BUCHTER 31OCT2005					
mm		APVD S.BUCHTER 31OCT2005					
TOLERANCES UNLESS OTHERWISE SPECIFIED:		PRODUCT SPEC					
0 PLC ±		APPLICATION SPEC	SIZE	CAGE CODE	DRAWING NO	RESTRICTED TO	
1 PLC ±0.1		WEIGHT	A2	-	C-504662	-	
2 PLC ±		CUSTOMER DRAWING					
3 PLC ±		SCALE	4:1	SHEET	1	OF	1
4 PLC ±		REV					D
ANGLES ±							
FINISH							