

4

3

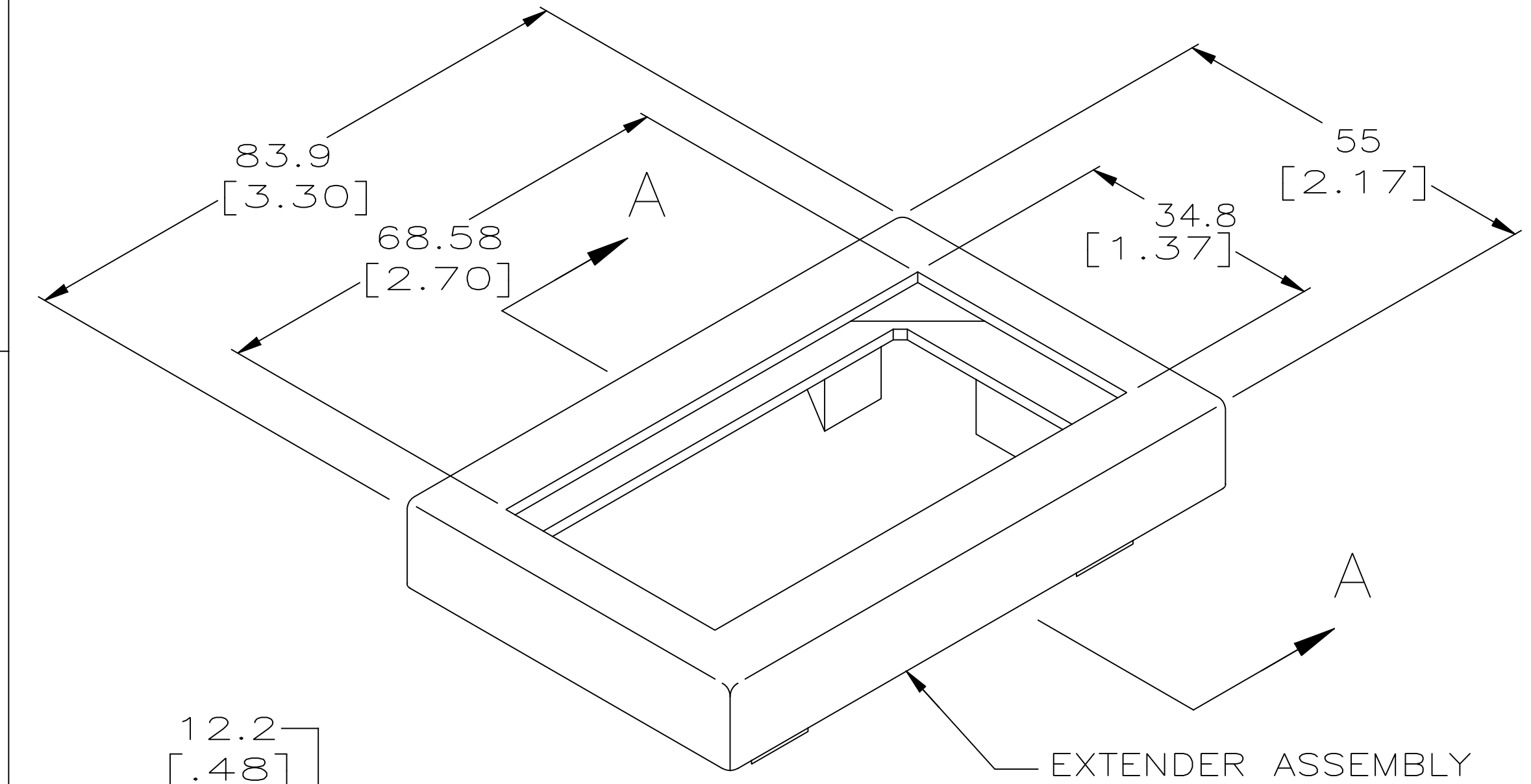
2

1

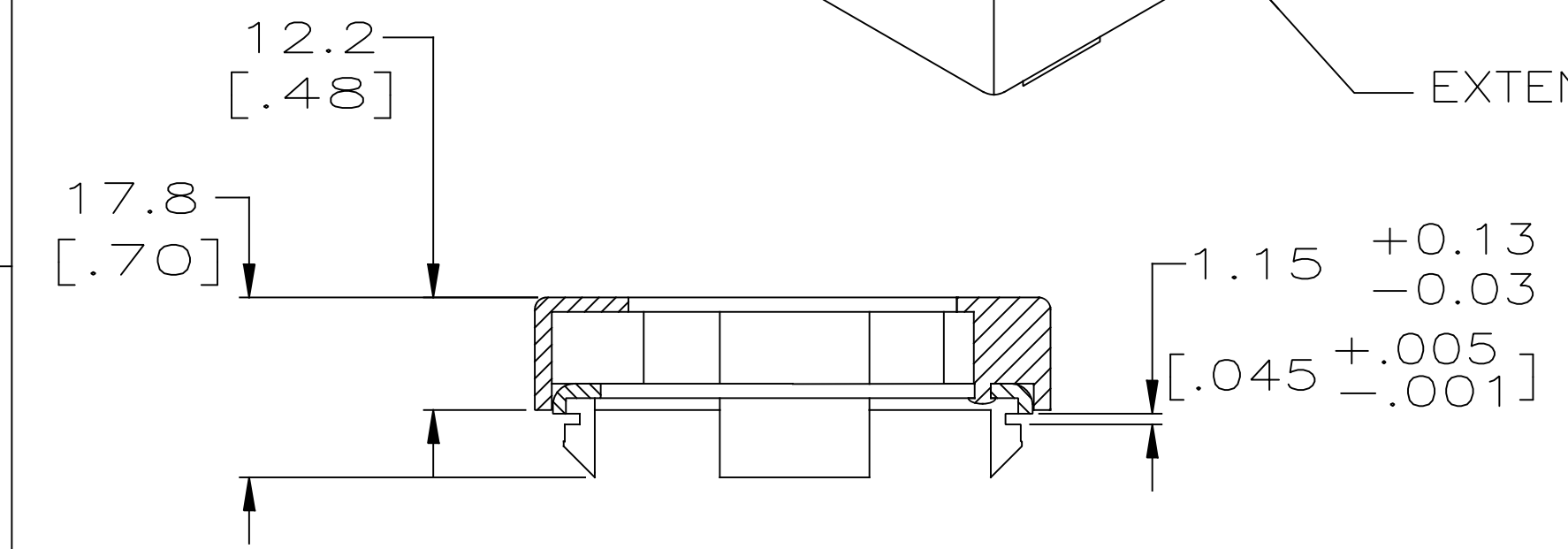
THIS DRAWING IS UNPUBLISHED. RELEASED FOR PUBLICATION

© 2016 Commscope, INC. Confidential NOTICE: These drawings and specifications are the proprietary property of COMMSCOPE, INC. and may be used only for the specific purpose authorized in writing by COMMSCOPE, INC.

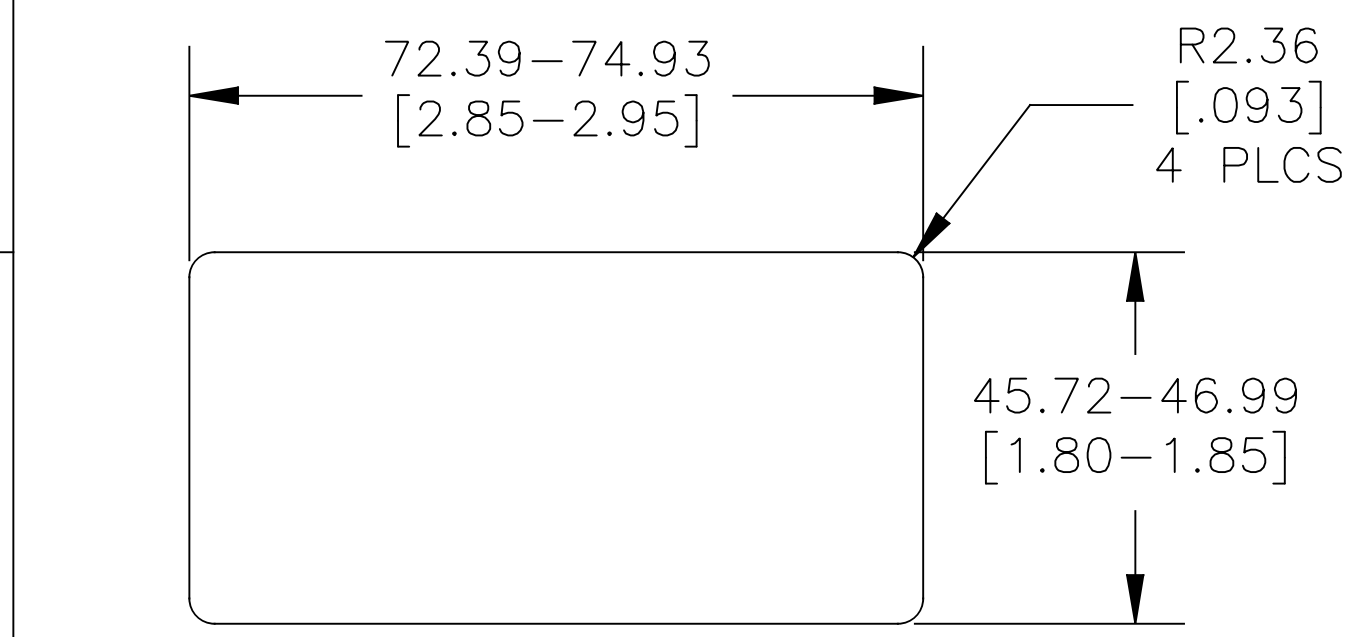
LOC	DIST	REVISIONS					
		P	LTR	DESCRIPTION	DATE	DWN	APVD
HM	00		A	REV; EC 0210-0914-95	12-15-95	LM	NJ
			B	REV-ECR-07-002108	29JAN07	LH	GB
			C	REV PER BNS_CD_BRAND	16JAN17	GG	DC



- 1. DIMENSIONS ARE MAXIMUM UNLESS OTHERWISE SPECIFIED.
- 2. MATERIAL: EXTENDER ASSEMBLY—POLYCARBONATE MOLDING COMPOUND, 94V-0 RATED, SEE TABLE FOR COLOR. TUBING— BLACK POLYOLEFIN.
- 3. KIT SHIPPED NOT ASSEMBLED EXCEPT AS SHOWN.
- 4. PANEL THICKNESS: 1.14[.045] MAX.



SECTION A-A
ROTATED 30° CCW



RECOMMENDED PANEL CUTOUT
SCALE: 1:1

NEMA GRAY	558489-4
LT. ALMOND	558489-2
BLACK	558489-1
COLOR	PART NO.

THIS DRAWING IS A CONTROLLED DOCUMENT.		DWN K. TILLMAN/UTA 3-28-94	COMMSCOPE, INC.		
DIMENSIONS: MM [INCHES]		CHK D. HUSSEY 3-28-94			
TOLERANCES UNLESS OTHERWISE SPECIFIED:		APVD -	NAME EXTENDER KIT, KNOLL, FLEXMODE		
0 PLC ± -		PRODUCT SPEC -	SIZE A3		
1 PLC ± -		APPLICATION SPEC 408-3314	CAGE CODE -	DRAWING NO C=558489	RESTRICTED TO -
2 PLC ± -		WEIGHT -	SCALE 1:1		
3 PLC ± -		MATERIAL -	SHEET 1 OF 1		
4 PLC ± -			REV C		
ANGLES ± -		CUSTOMER DRAWING			
FINISH -					