

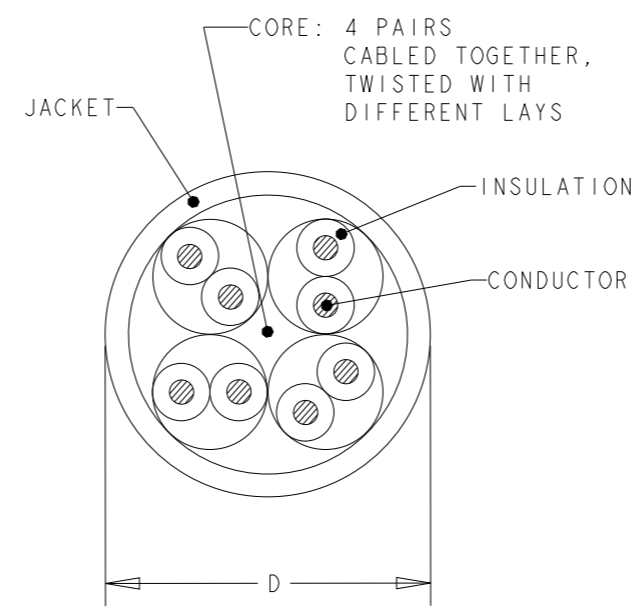
THIS DRAWING IS UNPUBLISHED. RELEASED FOR PUBLICATION

© 2016 COMMSCOPE, INC. CONFIDENTIAL NOTICE: THESE DRAWINGS AND SPECIFICATIONS ARE THE PROPRIETARY PROPERTY OF COMMSCOPE, INC. AND MAY BE USED ONLY FOR THE SPECIFIC PURPOSE AUTHORIZED IN WRITING BY COMMSCOPE, INC.

REVISIONS					
P	LTR	DESCRIPTION	DATE	DWN	APVD
	J	ECR-12-006788	17APR2012	LD	JS
	K	REV PER BNS_CD_BRAND	07FEB2017	GG	DC

FINISHED CABLE DATA		
CONDUCTORS	WIRE AWG	24 AWG Solid
	Ø RANGE in mm	0,485<=Ø<0,546
	MATERIAL	COPPER
	PLATING	BARE
ELONGATION	15% PER EN 50288-1	
INSULATION	MATERIAL	POLYETHYLENE
	OVERALL DIAMETER	0,95
DRAIN WIRE	WIRE AWG	-
	MATERIAL	-
	PLATING	-
	ELONGATION	-
BINDER	POLYESTER TAPE	OPTIONAL
INDIVIDUAL PAIR SCREEN	MATERIAL	-
OVERALL SHIELD	FOIL MATERIAL	-
	BRAID MATERIAL	-
OVERALL SHIELD	PLATING	-
	COVERAGE	-
	ELONGATION	-
JACKET	MATERIAL	PVC
	OVERALL DIAMETER (D)	5,1 mm
PULLING FORCE	MAX.	80 N

- REFER TO PRODUCT SPEC 108-93018 FOR ADDITIONAL REQUIREMENTS.
- CABLE PRINT LEGEND:  
COMMSCOPE ISO-EN COMPLIANT XXXXXX CAT5E UTP SOLID PR04 AWG24 PVC YYWW Z (SEQUENTIAL No) METER
- CABLE COLORED TYPES UPON REQUEST.



WHITE	500	REEL	57535-9
WHITE	305	REEL BOX	57535-8
WHITE	1000	REEL	57535-3
WHITE	305	PULL BOX	57535-2
WHITE	305	REEL	57535-1
COLOUR	LENGTH (METRES)	PACKAGE	PART NUMBER

THIS DRAWING IS A CONTROLLED DOCUMENT.		DWN L. de Dios 17Apr12	<b>COMMSCOPE, INC.</b>	
DIMENSIONS: mm		CHK M. Maqueda 17Apr12		
TOLERANCES UNLESS OTHERWISE SPECIFIED:		APVD J. Sanabra 17Apr12		
		PRODUCT SPEC -	NAME CABLE, CAT5E, UTP, SOLID, PR04, AWG24, PVC	
MATERIAL -		FINISH -	APPLICATION SPEC -	RESTRICTED TO -
		WEIGHT -	SIZE A3	CAGE CODE -
		CUSTOMER DRAWING	DRAWING NO C-57535	SCALE NTS
			SHEET 1	OF 1
			REV K	