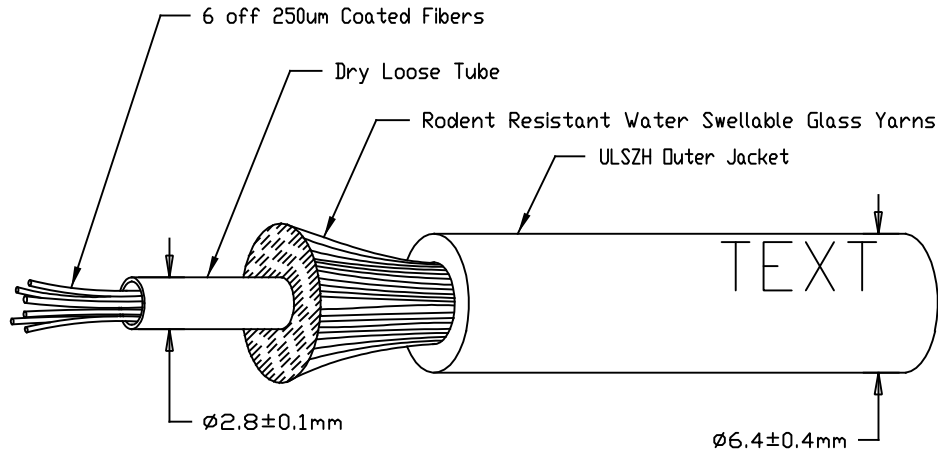


THIS DRAWING IS A CONTROLLED DOCUMENT DWG No: C-599615

LTR	REVISION RECORD	DATE	DWN	APVD
J	8000020012	03MAR17	TV	DW



- 250um Primary Coated Fibers, Colours Blue, Orange, Green, Brown, Grey & White
- Outer Jacket Text acc. 101-131550 Method C if fiber type is marked with \*  
For other fiber types follow method A  
every meter, text 2.0 to 4.0mm high

Example:  
COMMSCOPE GB OPTOBEND SYSTEM F.O.CABLE X-599615-3 INT/EXT RODENT RESISTANT DLT 6X 50/125 OM3 ULSZH [BATCH] XXXX (M)

OPTOBEND SYSTEM IN THE PRINT  
ONLY APPLIES TO FIBRE TYPES  
MARKED WITH AN ASTERISK \*

- Mechanical Properties of Cable (Tested according to IEC 60794-1)
  - Nominal weight 47.0 kg/km
  - Minimum Installation Bend Radius 140 mm
  - Minimum Service Bend Radius 130 mm
  - Maximum Installation Tension 1250 N
  - Maximum Operating Tension 650 N
  - Maximum Crush Resistance 1000 N/10 cm
  - Operating Temperature Range -10 to +70°C
  - Internal/External Grade
  - Low Smoke Zero Halogen Material to be compliant with
    - Water Absorption IEC 60811-1, <math>< 2 \text{mg/cm}^2</math> 10days @ 70°C
    - Smoke Emission IEC 61034
    - Acid Gas Emission IEC 60754-1
    - Toxicity NES 60713
    - Fire Propagation IEC 60332-1 & 60332-3
- To meet the requirements of COMMSCOPE environmental specification CS-EPC-2001

blue	yellow	0.37/0.25	single mode	9/125 G657A2 BI *	X-599615-8
orange	orange	2.50/0.70	500/500	50/125 OM2 BI *	X-599615-7
grey	orange	2.80/0.90	200/600	62.5/125 OM1	X-599615-5
blue	yellow	0.37/0.25	single mode	9/125 OS2	X-599615-4
orange	aqua	2.50/0.70	1500/500	50/125 OM3 BI *	X-599615-3
orange	aqua	2.50/0.70	3500/500	50/125 OM4 BI *	X-599615-2
blue	yellow	0.37/0.25	single mode	9/125 G657A1 BI *	X-599615-1
Loose Tube Colour	Jacket Colour	Max Cabled fibre attn. loss db/km @ 850/1300nm for Multi mode and @ 1310/1550nm for Single mode	Bandwidth @ 850/1300nm	Fiber Type	MID/PN

Dimensions: MM	TOLERANCES UNLESS OTHERWISE SPECIFIED: 0 PLC ± 1 PLC ±0.1 2 PLC ±0.01 3 PLC ±0.001 4 PLC ±0.0001	Drawn: T.VISSERS 10FEB17	<b>COMMSCOPE</b> Commscope Connectivity Uk Ltd Kinmel Park, Bodelwyddan, Denbighshire, LL18 5TZ FO CAB I/E RR DLT X6 Fiber Optic Cable Rodent Resistant Dry Loose Tube x6			
	ANGLE: - SURFACE TEXTURE:	Checked: A.YOUNG				Scale: N/A
		Approved: D.WALKER				