

628906 Revision B, May 2016

Mounting Kit For Metro Cell Antennas MC-MNT-3XV-TS1 Mounting Kits

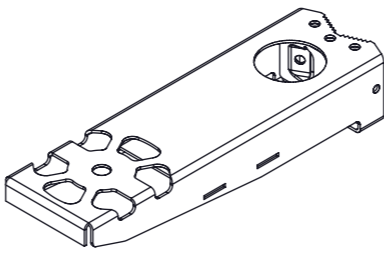

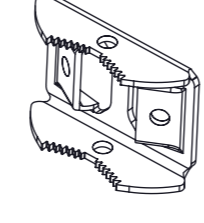
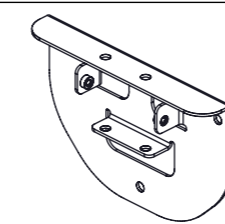
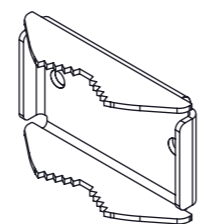

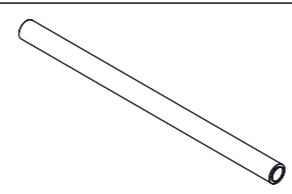
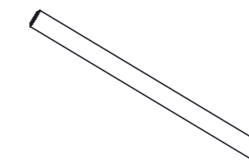
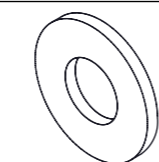
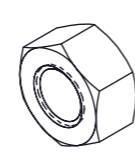

GENERAL INFORMATION

- Top of pole mounting option
Fits round members 2.4" to 3.6" (60 to 92 mm) pole diameter.
 - Offset of pole mounting option
Fits round members 1.9" to 3.8" (50 to 97 mm) pole diameter.
 - Wall mounting option *
- * Note: this is only recommended for building mounts or applications with no significant side wind load.

PRE-INSTALLATION INSTRUCTIONS

- Examine antenna and hardware to ensure that all parts are enclosed and that there is no physical damage.
- Verify that the frequency range shown on the label on the bottom of the antenna matches the frequency range of the station equipment.

PARTS LIST

| Item | Description | Qty | Image |
|------|-------------------------|-----|-------------------------------------------------------------------------------------|
| 1 | Side Mount Bracket | 1 |  |
| 2 | Top Mount Bracket | 1 |  |
| 3 | Pipe Clamp Bracket | 3 |  |
| 4 | Wall Mount Adapter | 1 |  |
| 5 | Pipe Clamp Bracket | 1 |  |
| 6 | SPACER TUBE | 1 |  |
| 7 | M10 X 198 Threaded Stud | 3 |  |
| 8 | M10 X 138 Threaded Stud | 3 |  |
| 9 | M10 Flat Washer | 18 |  |
| 10 | M10 Hex Nut | 32 |  |
| 11 | M10 Lock Washer | 2 |  |

| Item | Description | Qty | Image |
|------|-------------------------|-----|---------------------------------------------------------------------------------------|
| 12 | M10 X 30 Hex Head Bolt | 2 |  |
| 13 | M24 X 75 Hex Head Bolt | 1 |  |
| 14 | M24 Flat Washer | 3 |  |
| 15 | M24 Hex Nut | 2 |  |
| 16 | M12 X 180 Threaded Stud | 2 |  |
| 17 | M12 X 245 Threaded Stud | 2 |  |
| 18 | M12 Flat Washer | 8 |  |
| 19 | M12 Hex Nut | 16 |  |
| 20 | M6 Screw with Tube | 1 |  |
| 21 | M6 Lock Washer | 1 |  |
| 22 | M6 Flat Washer | 2 |  |
| 23 | M6 Hex Nut | 1 |  |

SAFETY NOTICE

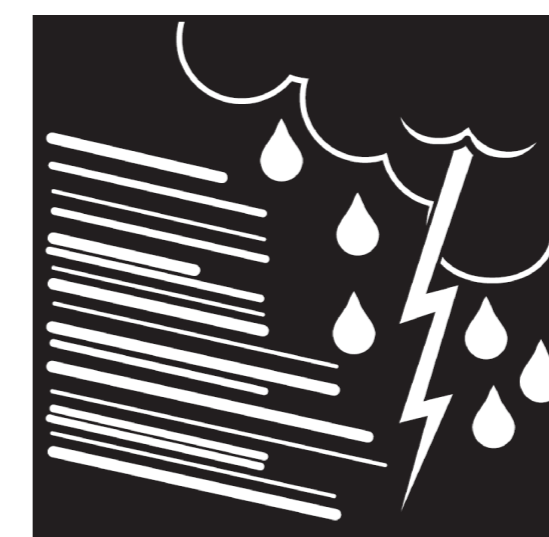
The installation, maintenance, or removal of an antenna requires qualified, experienced personnel. CommScope installation instructions are written for such installation personnel. Antenna systems should be inspected once a year by qualified personnel to verify proper installation, maintenance, and condition of equipment.

CommScope disclaims any liability or responsibility for the results of improper or unsafe installation practices.

It is recommended that transmit power be turned off when the field installation is performed. Follow all applicable safety precautions as shown on this page.



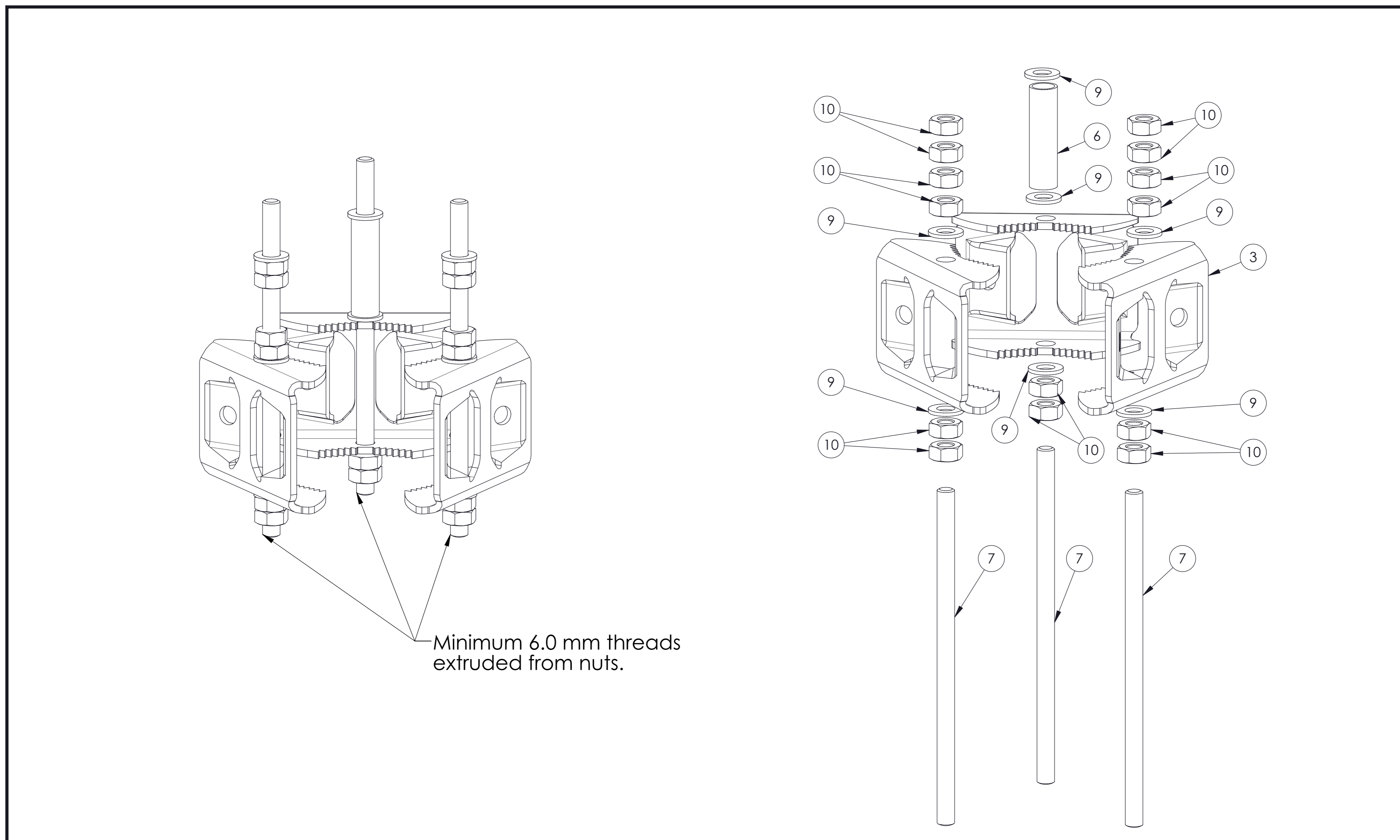
Do not install near power lines. Power lines, telephone lines, and guy wires look the same. Assume any wire or line can electrocute you.



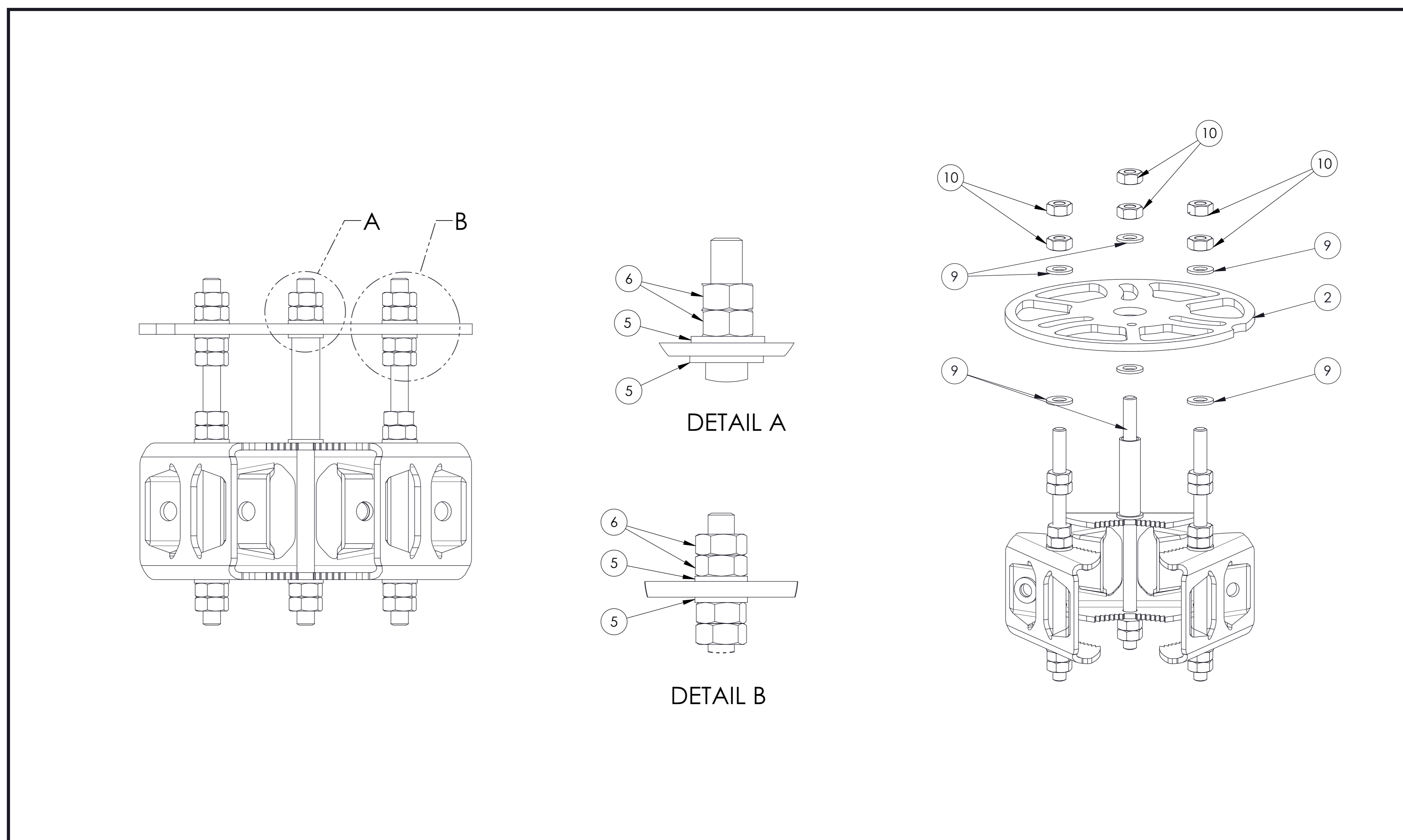
Do not install on a wet or windy day or when lightning or thunder is in the area. Do not use metal ladder.



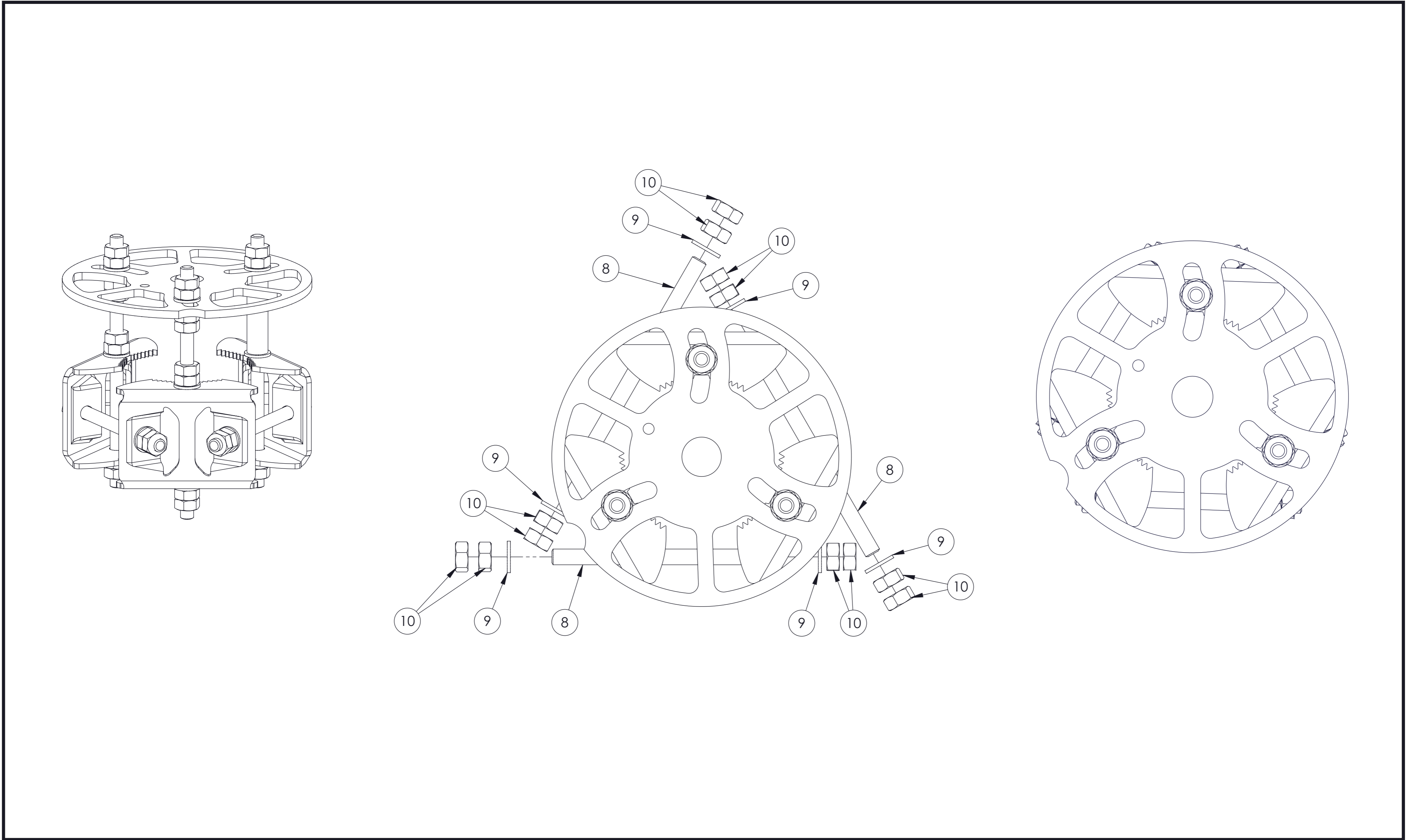
Wear shoes with rubber soles and heels. Wear protective clothing including a long-sleeved shirt and rubber gloves.



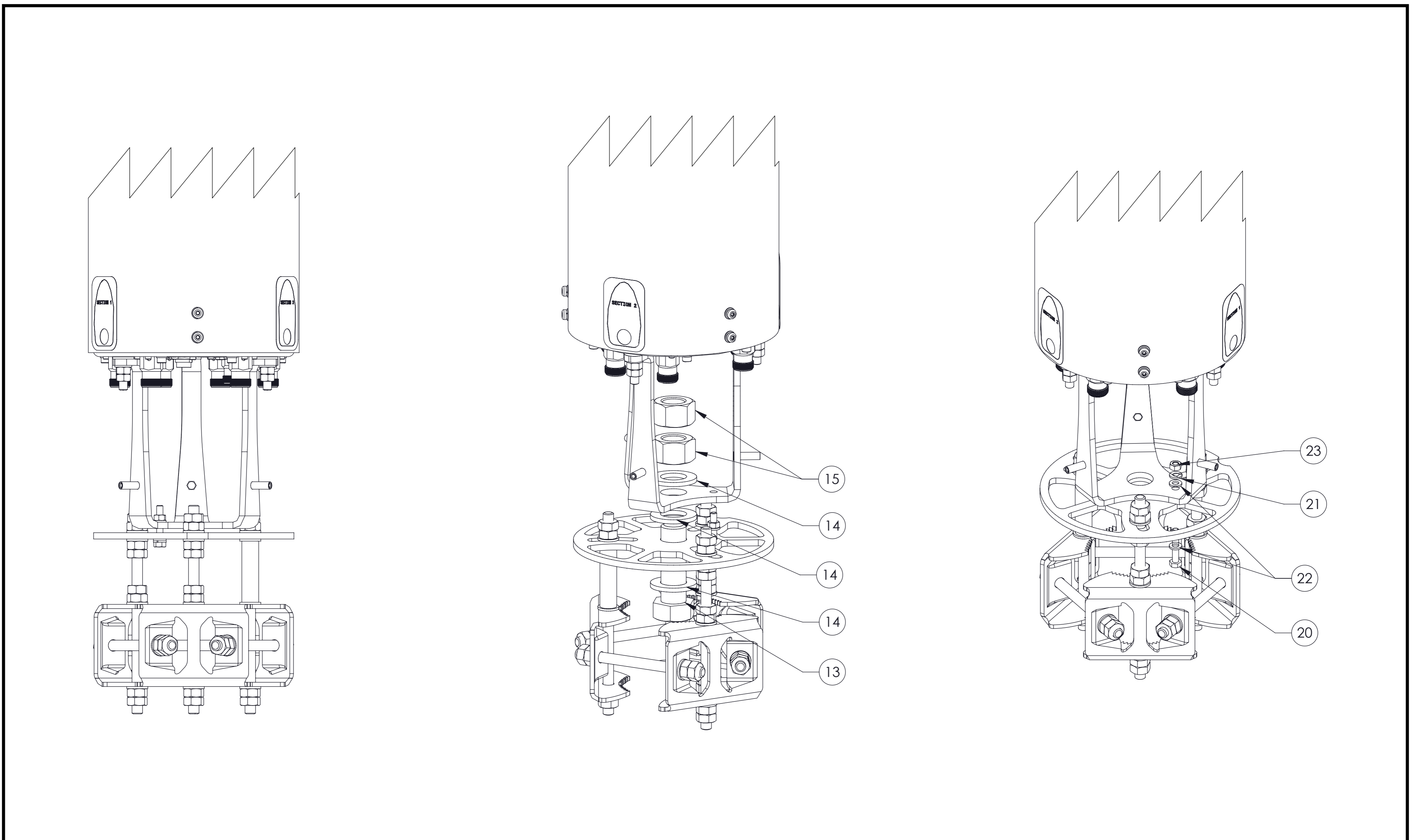
Assemble hardware to pole clamp brackets



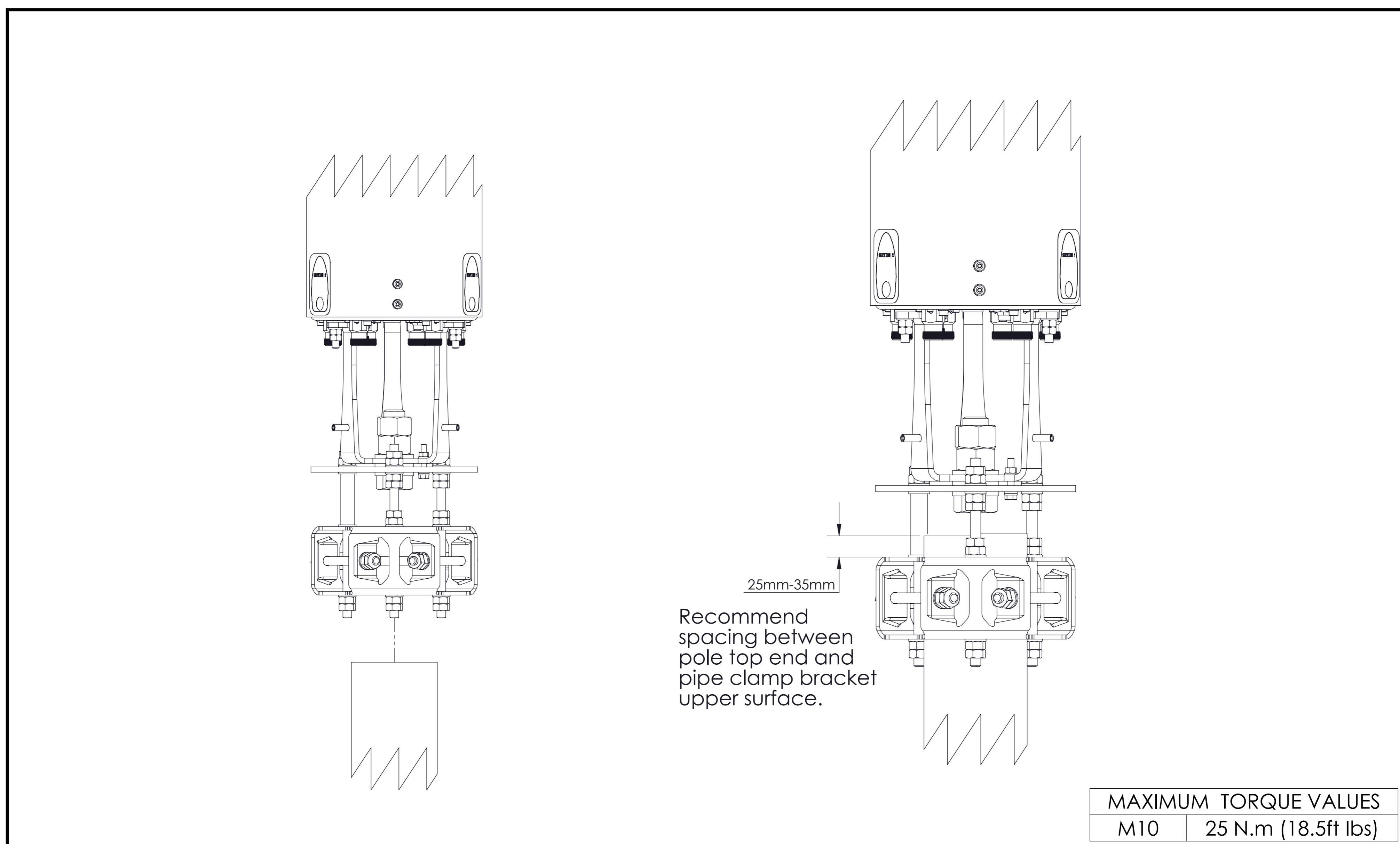
Assemble top mount bracket to pole clamp brackets



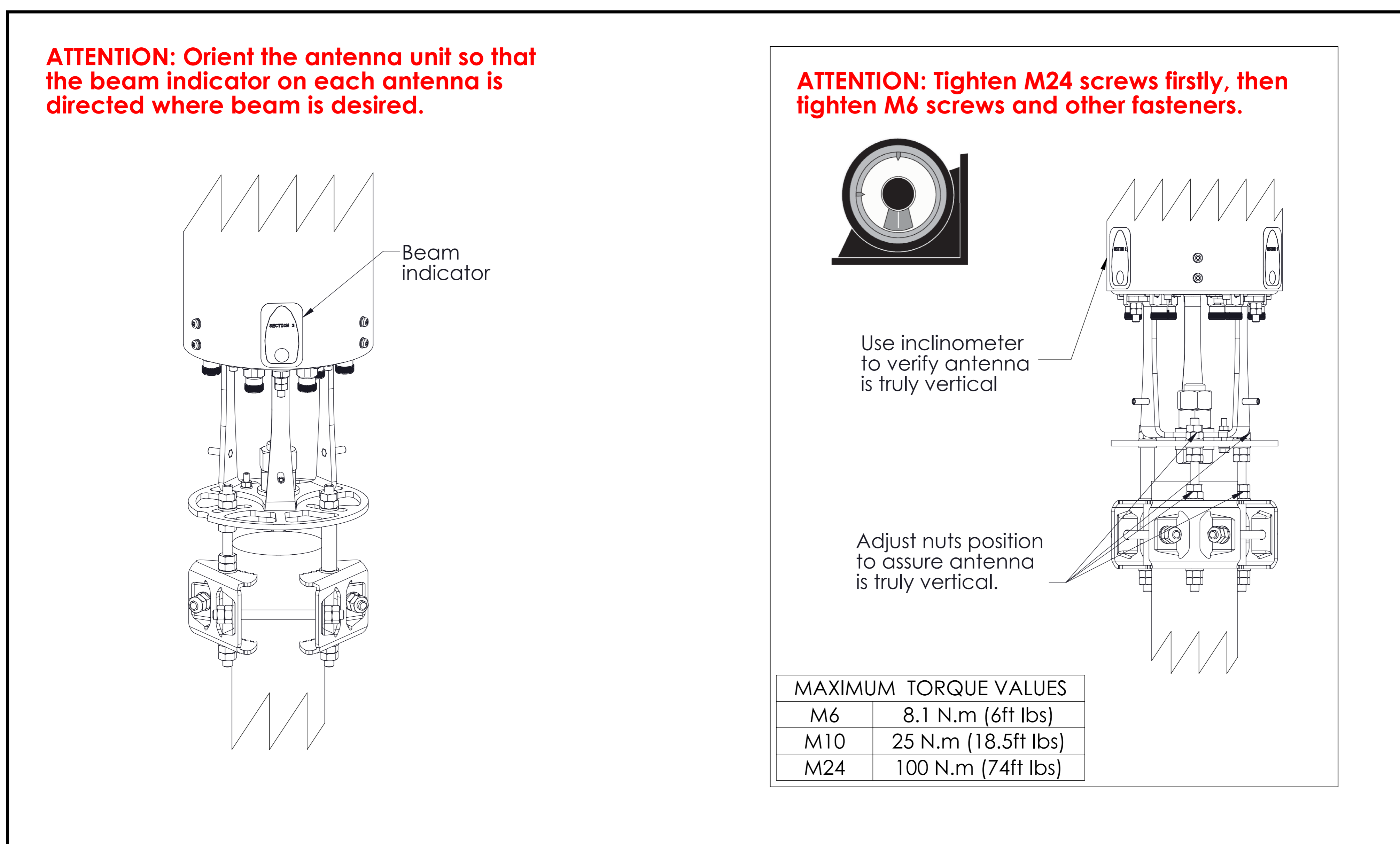
Assemble studs to pole clamp brackets



Assemble mount kit to antenna

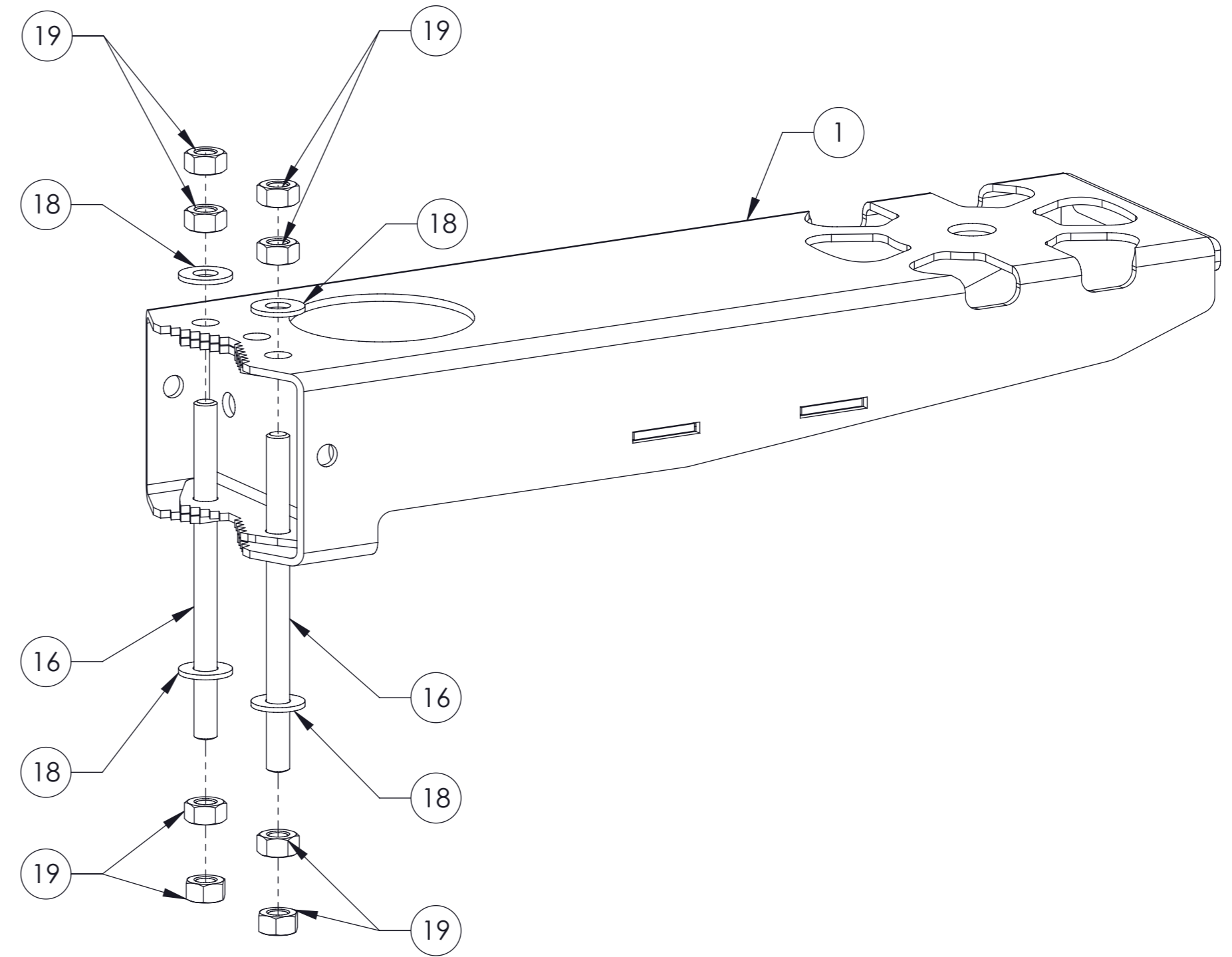
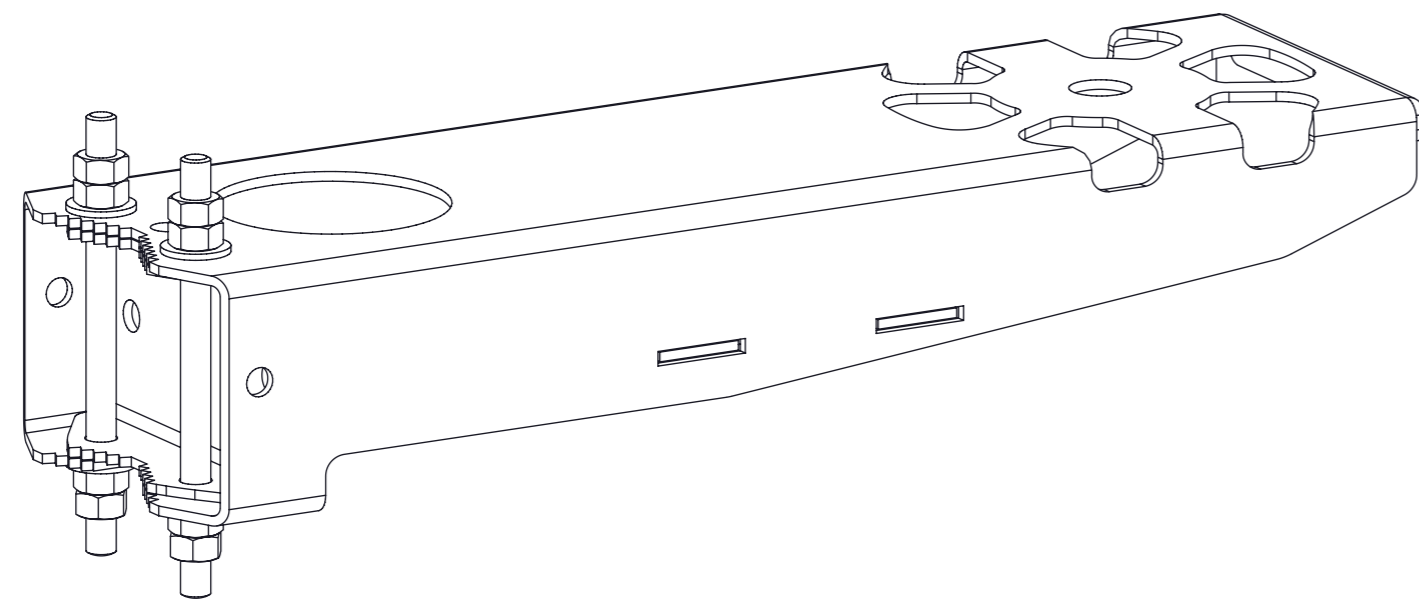


Mount antenna to pole



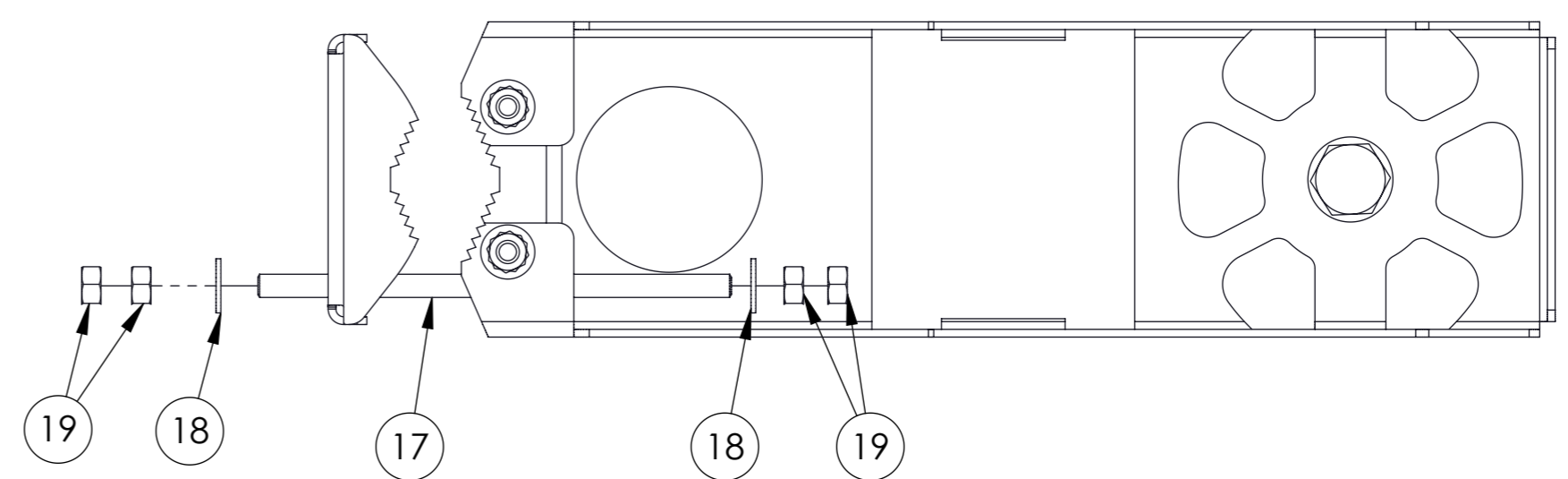
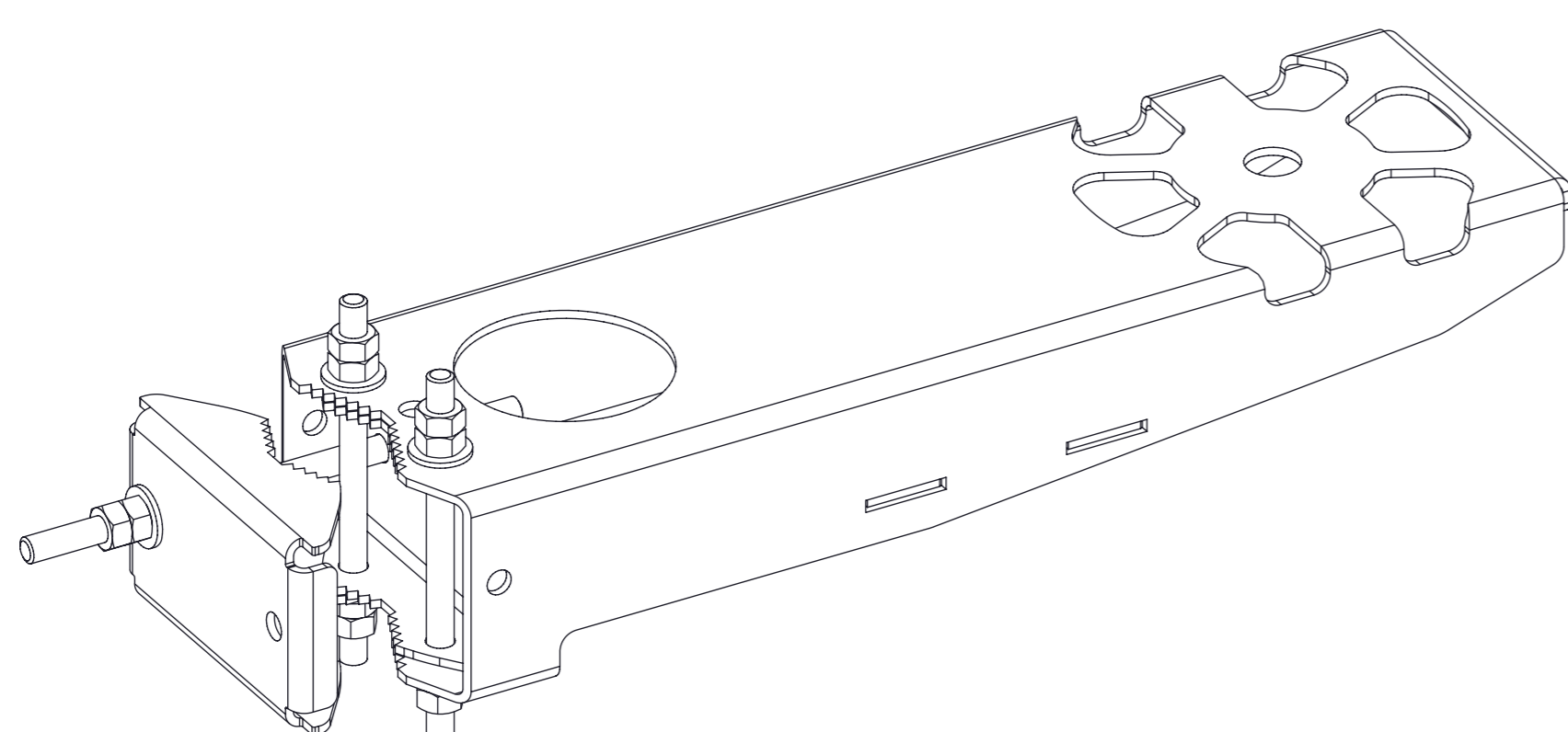
Orient and align antenna

ATTENTION: Tighten M12 Nuts.



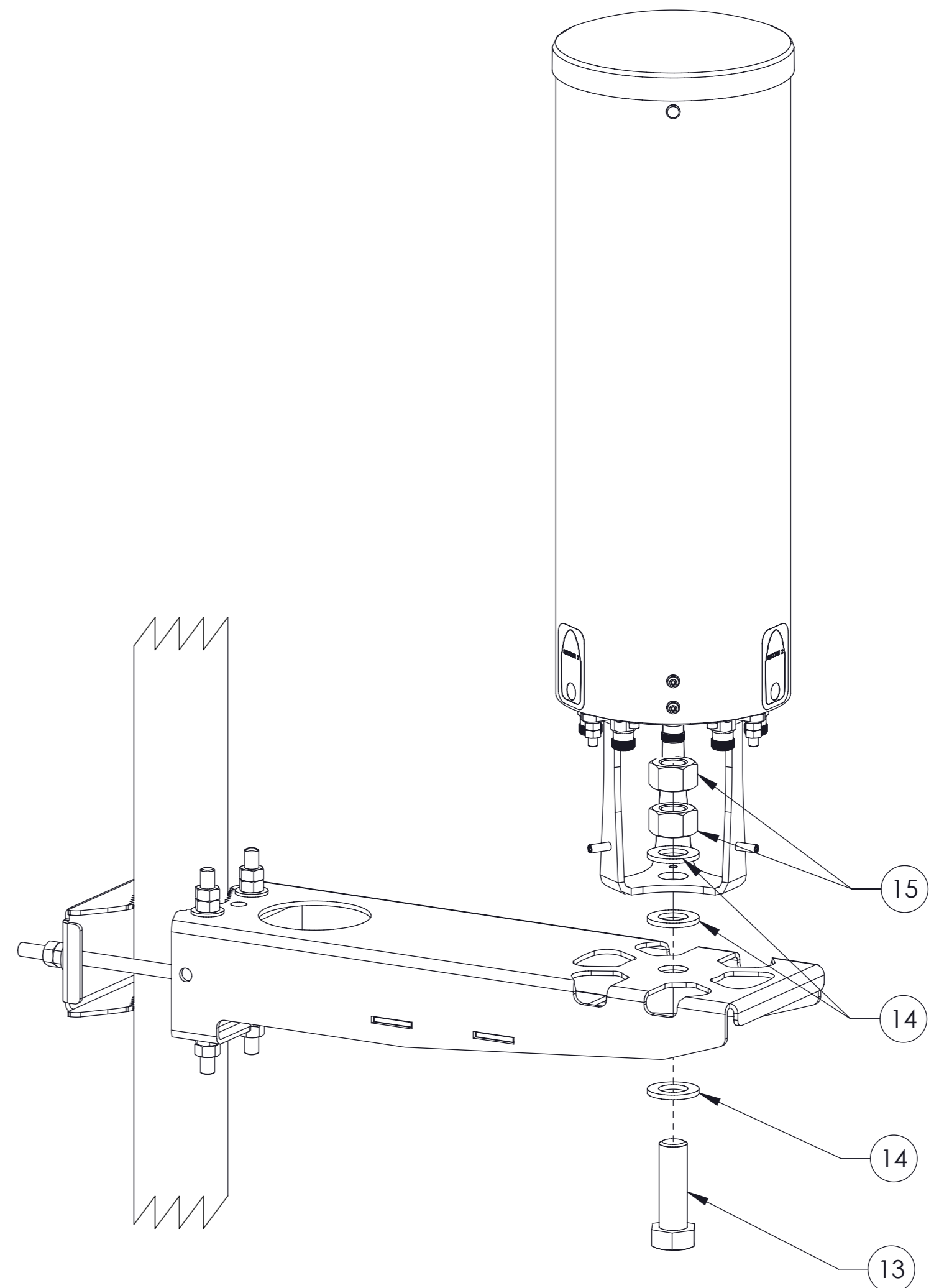
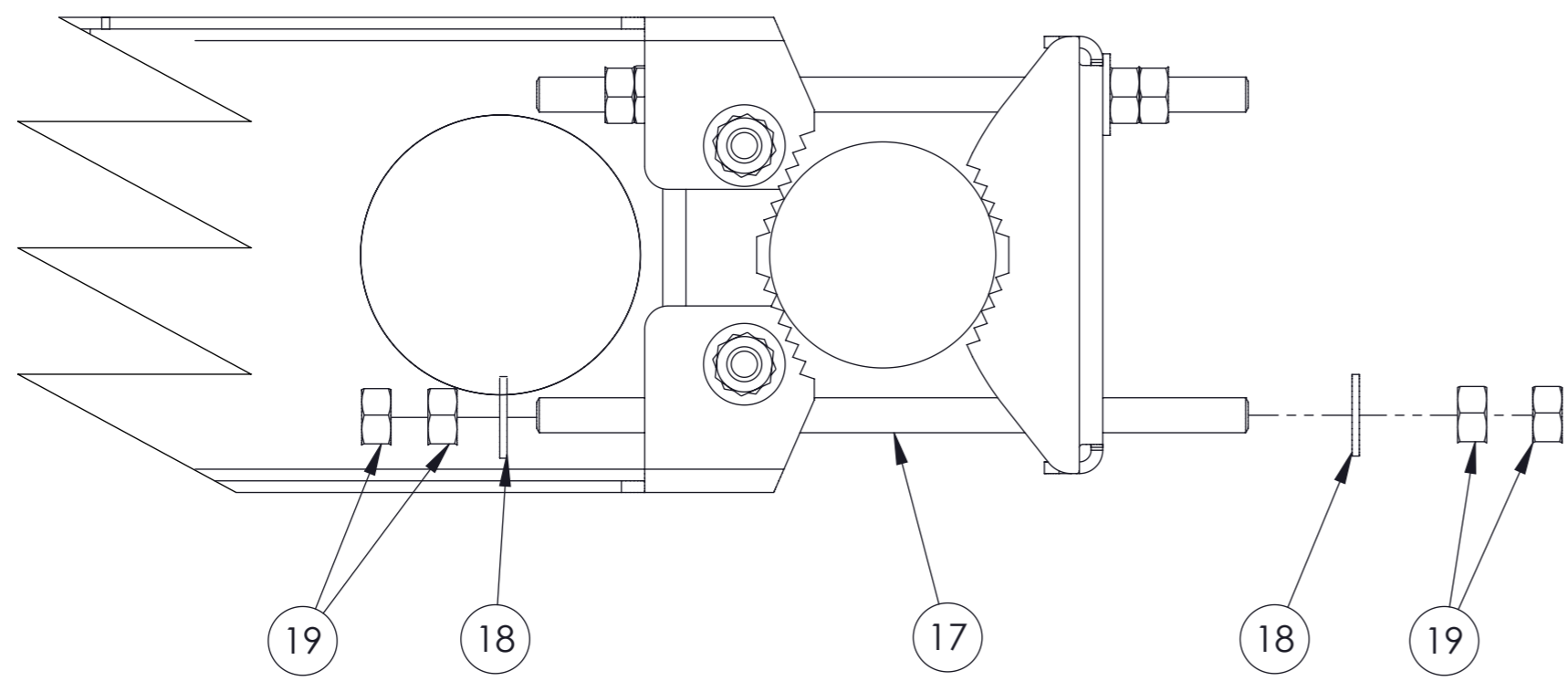
| MAXIMUM TORQUE VALUES | |
|-----------------------|-------------------|
| M12 | 58 N.m (43ft lbs) |

Assemble pole mount and side mount brackets



Add other pole mount bracket

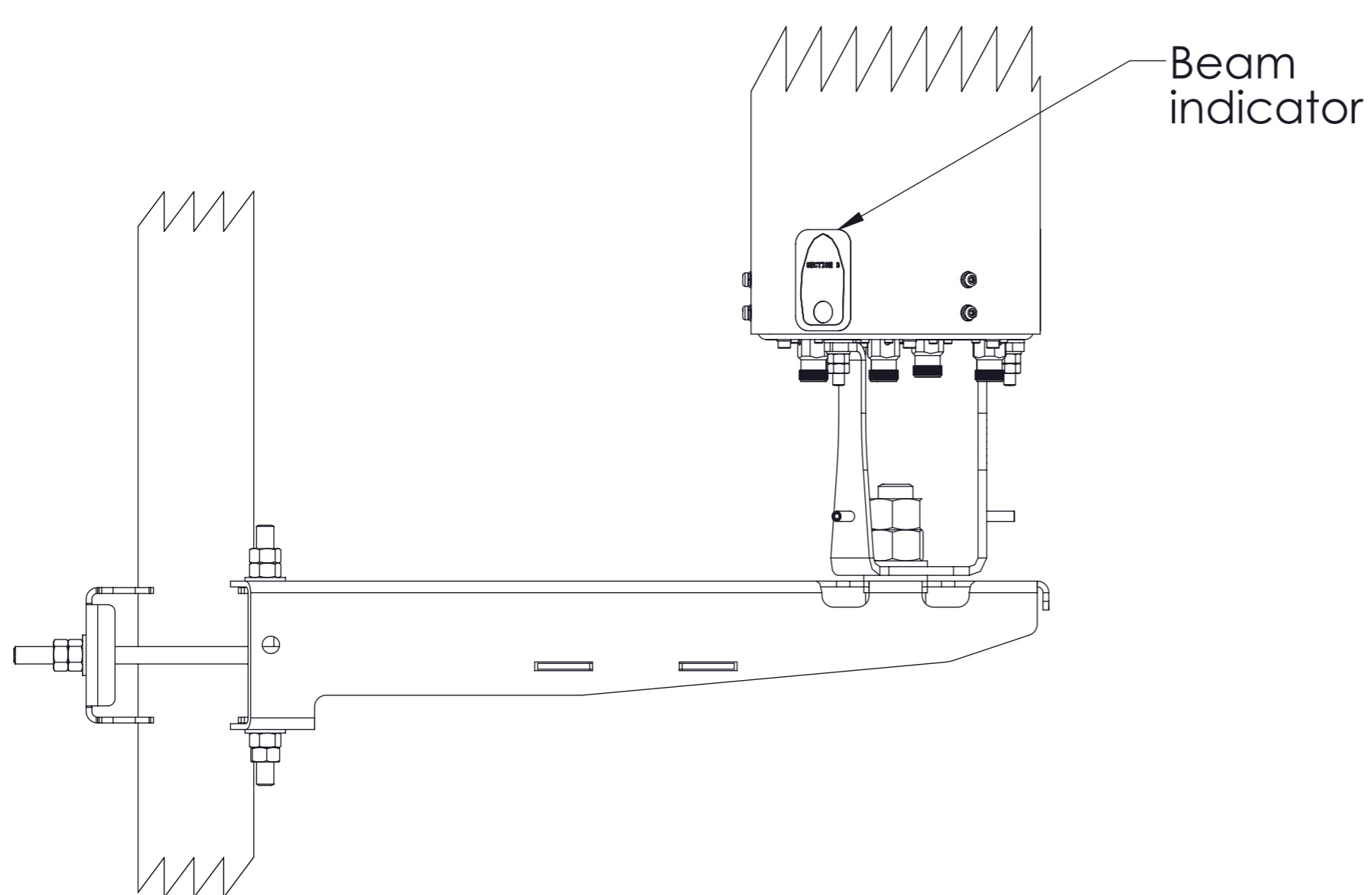
ATTENTION: Tighten M12 fasteners.



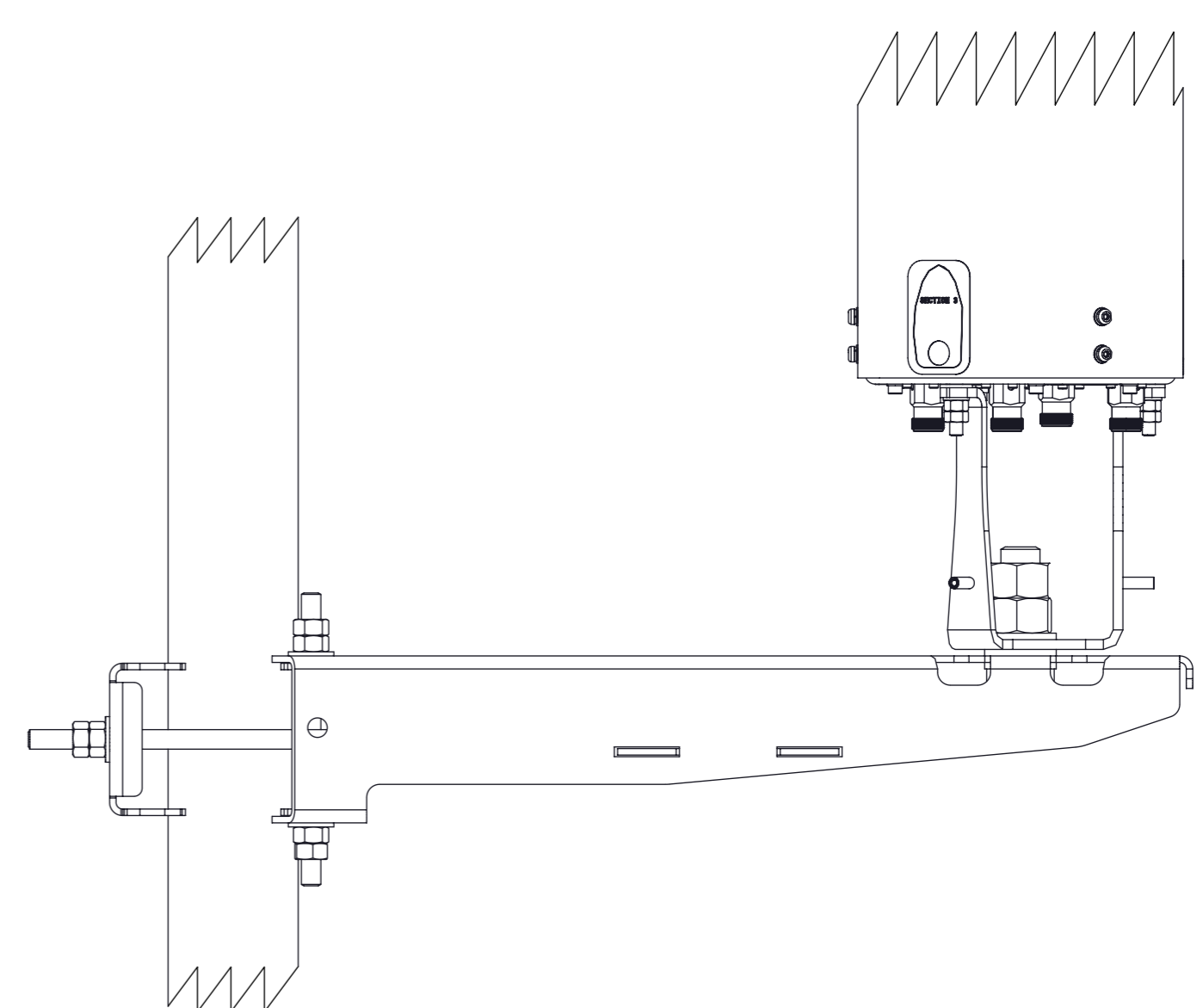
| MAXIMUM TORQUE VALUES | |
|-----------------------|--------------------|
| M12 | 58 N.m (43ft lbs) |
| M24 | 100 N.m (74ft lbs) |

Mount antennas on bracket

ATTENTION: Orient the antenna unit so that the beam indicator on each antenna is directed where beam is desired.



ATTENTION: Tighten all fasteners

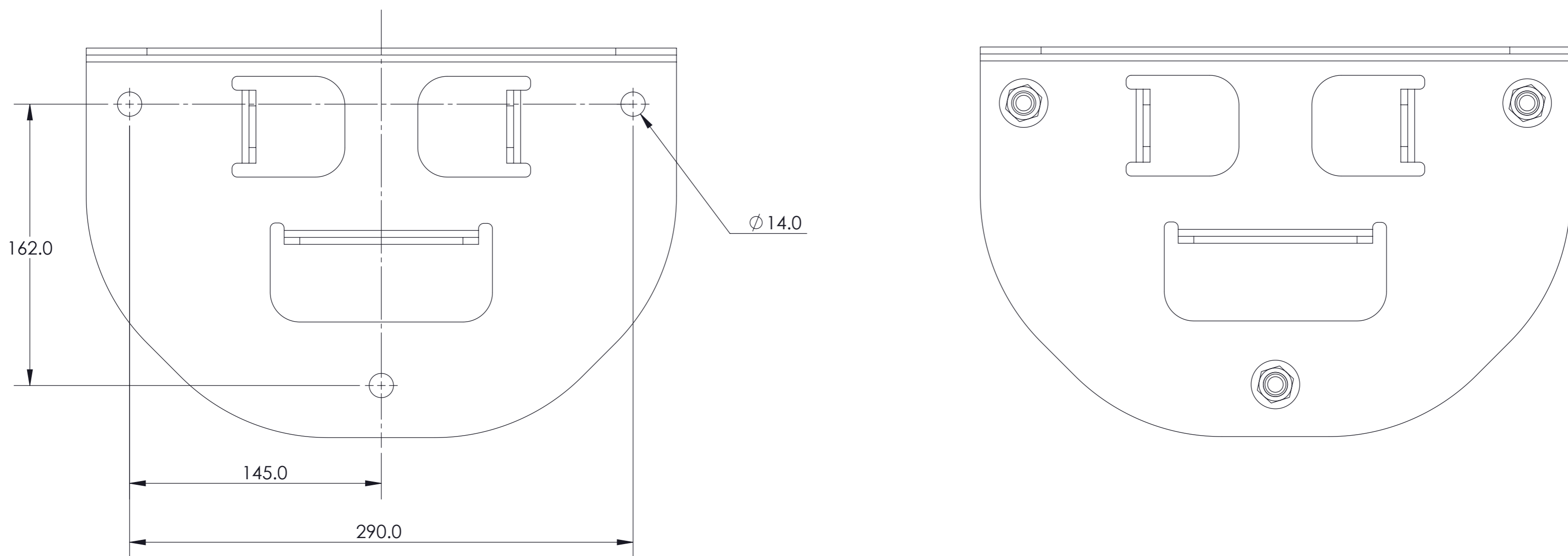


| MAXIMUM TORQUE VALUES | |
|-----------------------|--------------------|
| M12 | 58 N.m (43ft lbs) |
| M24 | 100 N.m (74ft lbs) |

Orient antenna

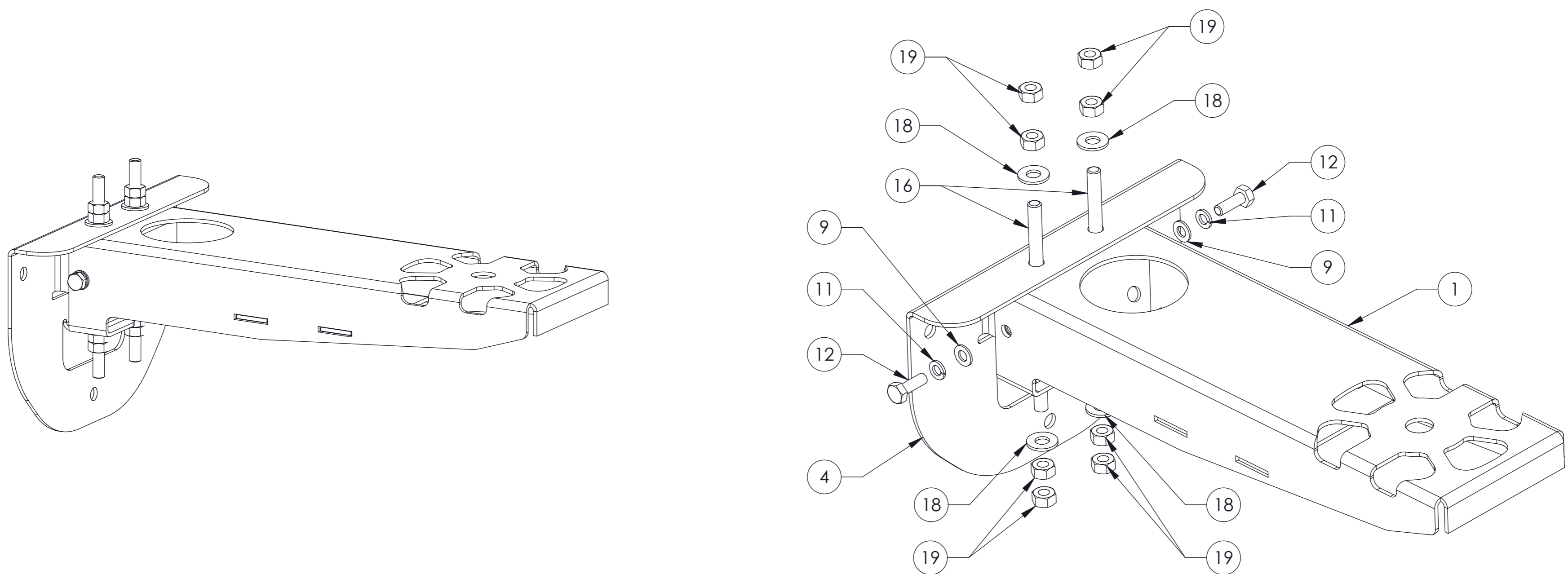
Hardware to attach bracket to wall is not included. M12 hardware is recommended.

Minimum pull out force is 4.4 KN.
Minimum shear force is 2.4 KN.



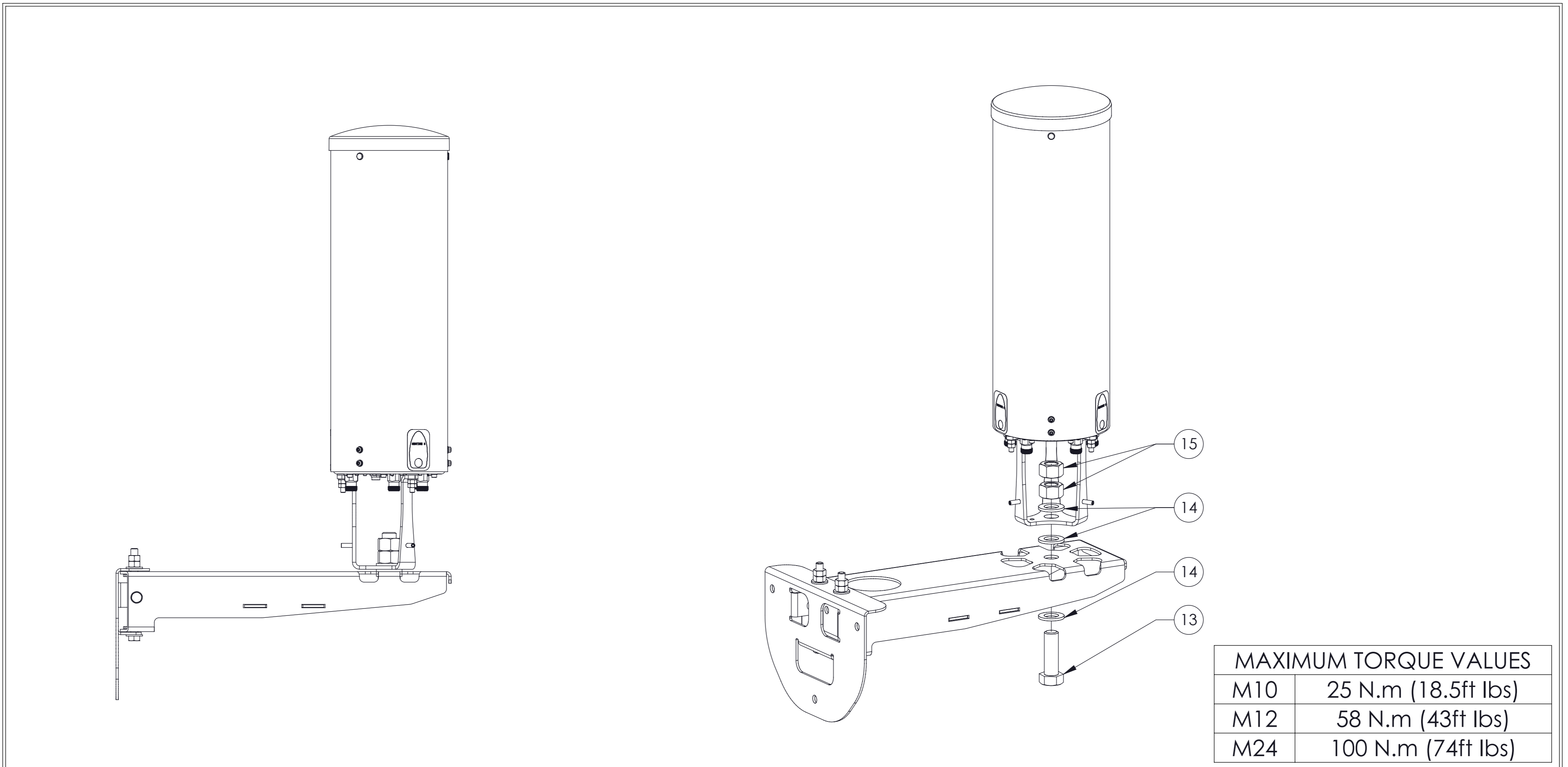
Wall mount hole layout

ATTENTION: Tighten all fasteners



| MAXIMUM TORQUE VALUES | |
|-----------------------|---------------------|
| M10 | 25 N.m (18.5ft lbs) |
| M12 | 58 N.m (43ft lbs) |
| M24 | 100 N.m (74ft lbs) |

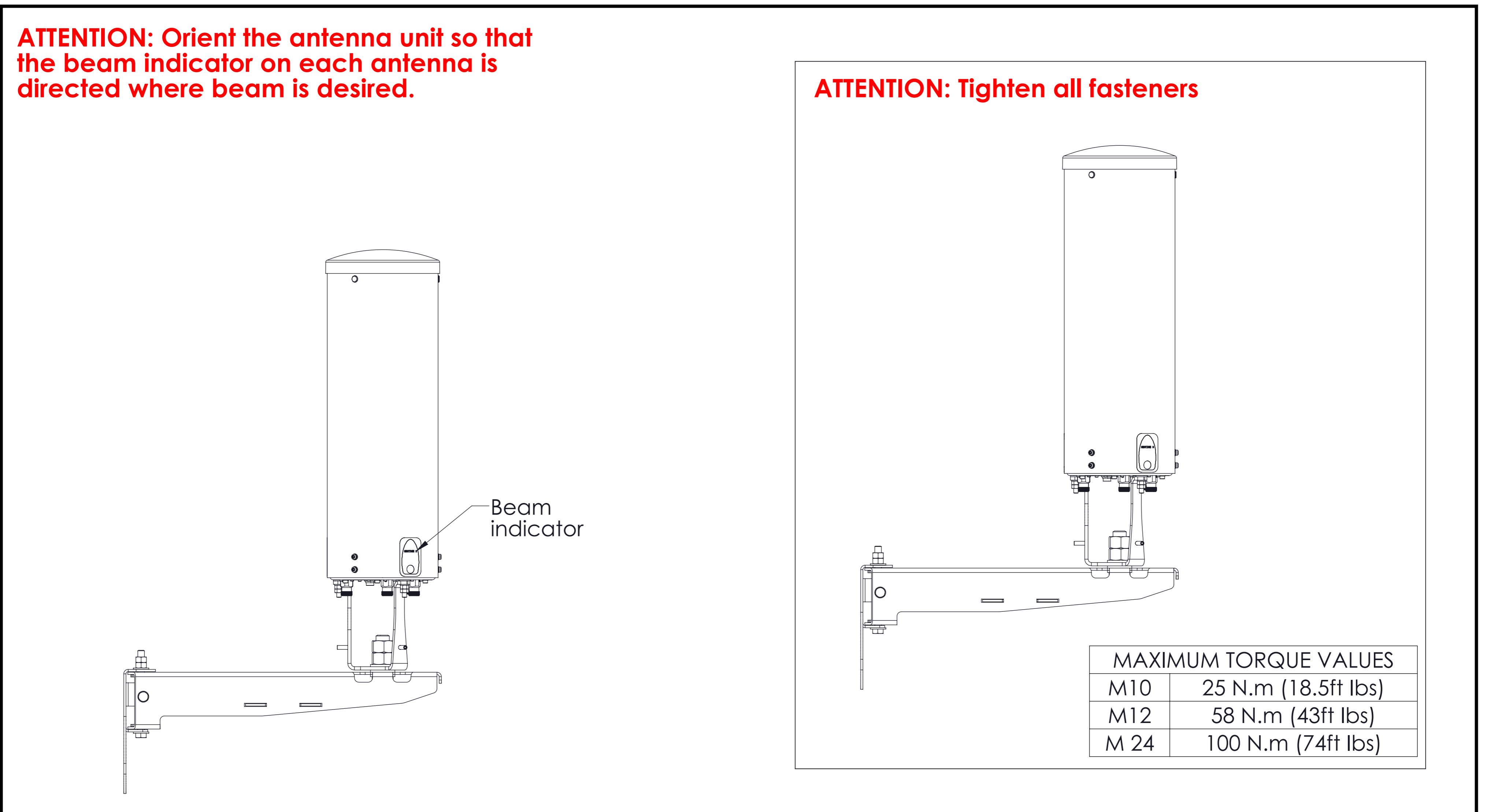
Assemble side mount bracket and wall mount adapter



Mount antenna

ATTENTION: Orient the antenna unit so that the beam indicator on each antenna is directed where beam is desired.

ATTENTION: Tighten all fasteners



Orient antenna