

Installation Instructions

Mounting Kits For TD Antennas DB380-E Pipe Mount With DB5083 Downtilt Mount

Andrew Institute offers installation training.

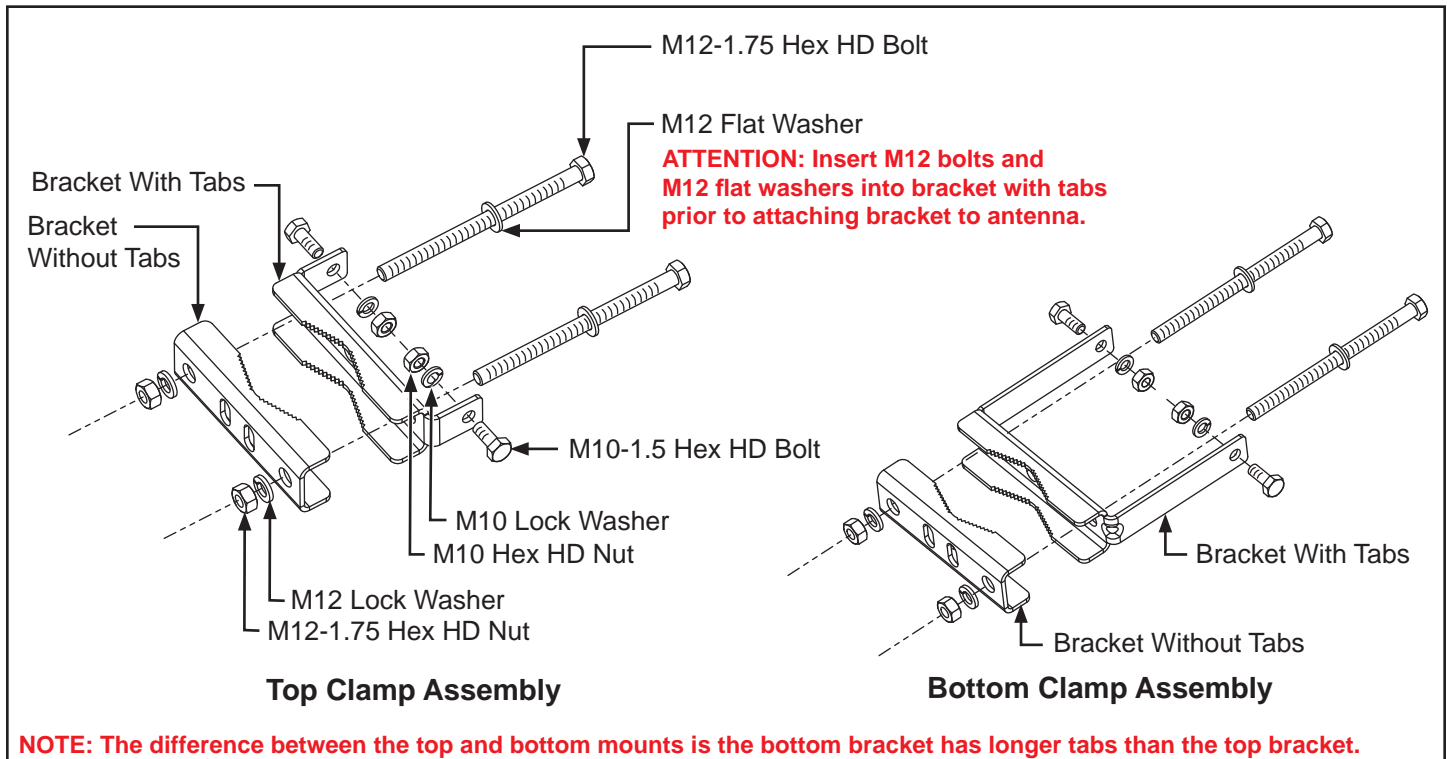
GENERAL INFORMATION

- DB380-E has 2 clamp assemblies. Each clamp assembly has 2 mounting brackets (uses DB5083 for downtilt mount).
- The tilt angle range is from -5° to 10° when used with DB5083. If DB380-E and DB5083 are used with any antenna that is not 53 inches long, the tilt range will be different.
- Fits round mast 2.4" to 4.5" (*60mm to 115 mm) OD.

*Note: Minimum pipe diameter recommended is 60 mm (2.4"). These mounts can be used on pipe diameters measuring down to 33 mm (1.3"); however, this is only recommended for building mounts or applications with no significant side wind load.

PRE-INSTALLATION INSTRUCTIONS

- Examine antenna and hardware to ensure that all parts are enclosed and that there is no physical damage.
- Check to ensure that the antenna feed connector mates with the jumper cable.
- Verify that the frequency range shown on the label on the back of the antenna matches the frequency range of the station equipment.
- Position the antenna with its "up" arrow label pointing upward before installation. This orientation allows the drain holes to be on the bottom of the antenna.



DB380-E Pipe Mount Clamp.

(continued on page 2)

NOTICE

The installation, maintenance, or removal of an antenna requires qualified, experienced personnel. Andrew installation instructions are written for such installation personnel. Antenna systems should be inspected once a year by qualified personnel to verify proper installation, maintenance, and condition of equipment.

Andrew disclaims any liability or responsibility for the results of improper or unsafe installation practices.



Do not install near power lines. Power lines, telephone lines, and guy wires look the same. Assume any wire or line can electrocute you.

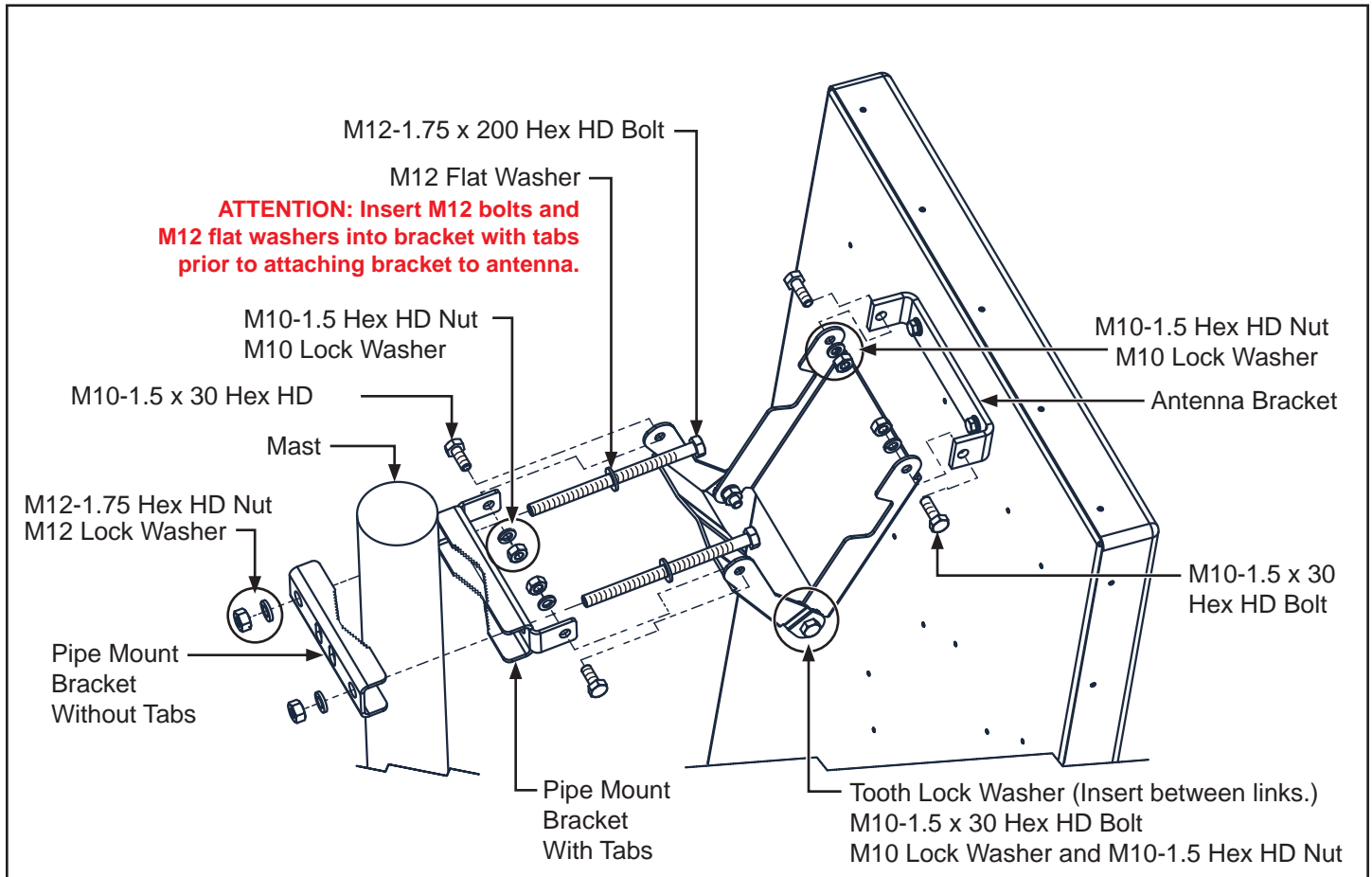


Do not install on a wet or windy day or when lightning or thunder is in the area. Do not use metal ladder.



Wear shoes with rubber soles and heels. Wear protective clothing including a long-sleeved shirt and rubber gloves.

(Continued from page 1)

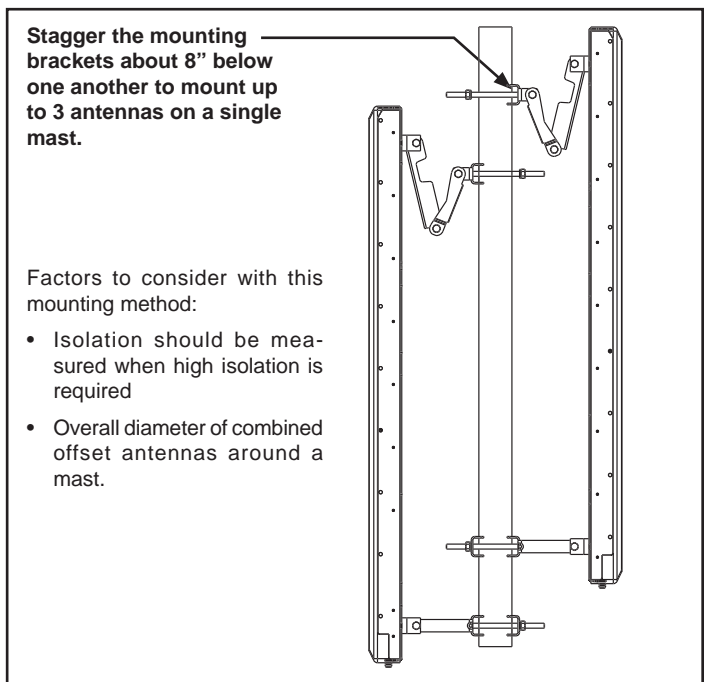


Attaching Antenna to a Mast Using DB380-E Pipe Mount and DB5083 Downtilt Mount.

HOISTING ANTENNA UP A TOWER

- Pre-assemble as much of the mounting hardware as possible before lifting the antenna up to the top of the tower.
- Attach a rope to the top mounting bracket on the back of the antenna. Keep the antenna vertical when hoisting the antenna. For safety, an additional rope can be attached to the bottom antenna mounting bracket and used as a guide by someone else on the ground.
- Bring the antenna into position on the tower and secure it using the hardware provided. (See "Attaching Antenna to a Mast Using DB380-E Pipe Mount and DB5083 Downtilt Mount" illustration.)

To avoid twisting the antenna, ensure that all the mounting clamps are aligned with each other. Securely tighten all hardware.



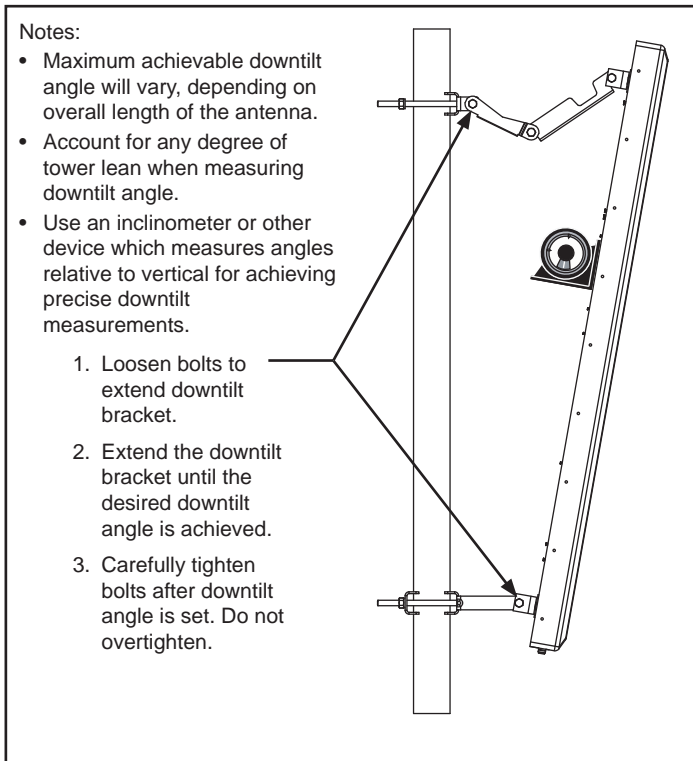
Stagger the mounting brackets about 8" below one another to mount up to 3 antennas on a single mast.

Factors to consider with this mounting method:

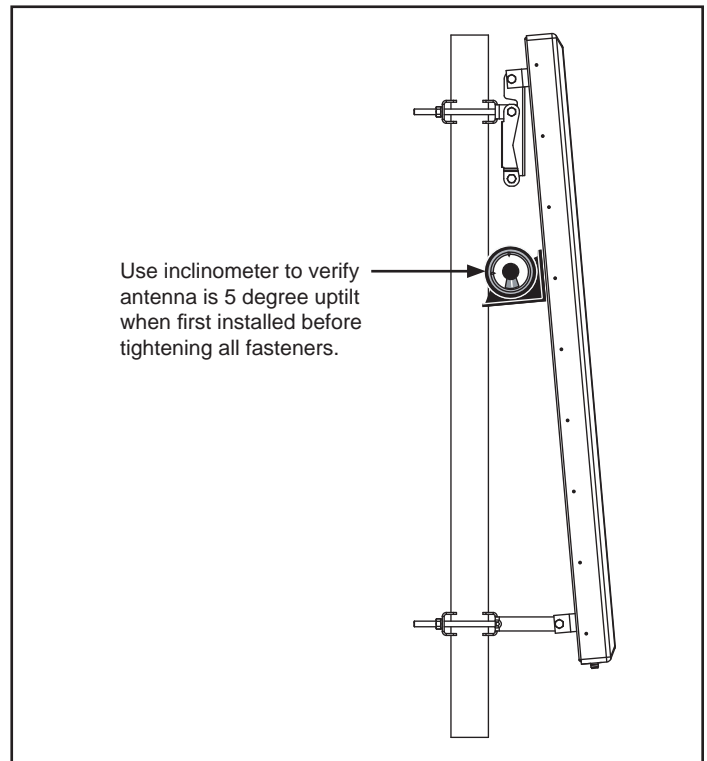
- Isolation should be measured when high isolation is required
- Overall diameter of combined offset antennas around a mast.

Mounting Multiple Antennas Using DB380-E Pipe Mount and DB5083 Downtilt Mount.

(Continued from page 2)



Adjusting the Downtilt Angle.

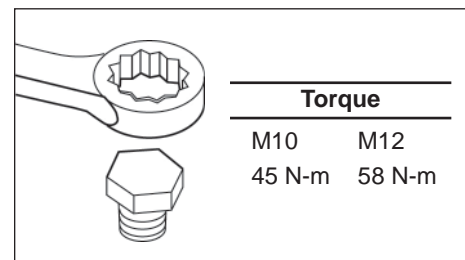


Inverted Uptilt Mounting Option for Cases Where Downtilt Links do not Fit Between Antenna Mounts

POST INSTALLATION INSTRUCTIONS

- Connect the station transmission line (not supplied) to the antenna. Make the connection snug, but do not apply heavy force with pliers. Torque connector per industry standards.
- Carefully weatherproof all connections, covering all cracks and the outer jacket of the transmission line. Failure to waterproof the connection could result in improper operation of the antenna.
- Secure the transmission line to the tower in the best position to avoid physical damage to the cable.
- After the antenna and transmission line have been installed, a careful visual check should be made to ensure that:

- All connections have been carefully wrapped to prevent moisture problems.
- The antenna is in the desired mechanical tilt position.



- All mechanical connections have been made and the antenna is mounted with sufficient physical clearance.
- The “up” arrow is pointing upward and the drain holes in the end cap are oriented downward.