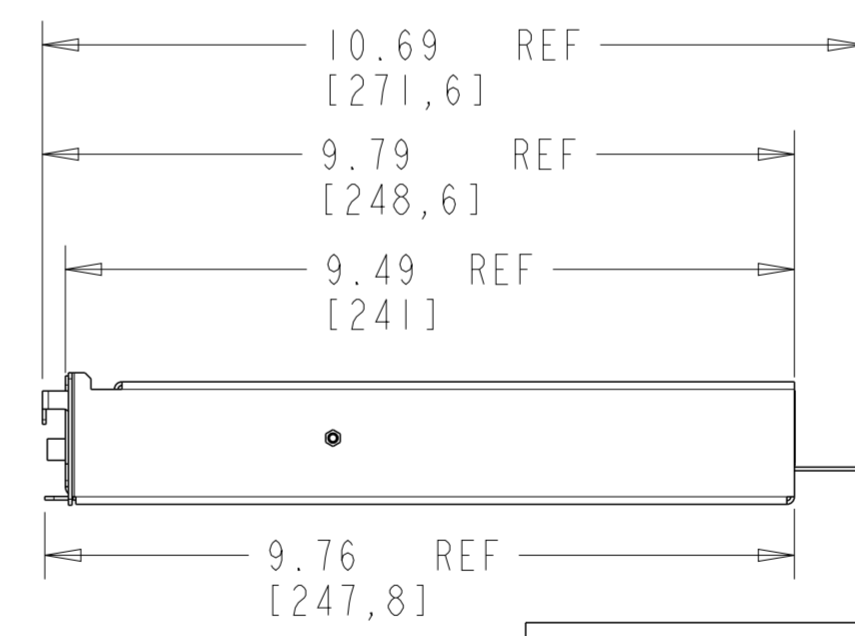
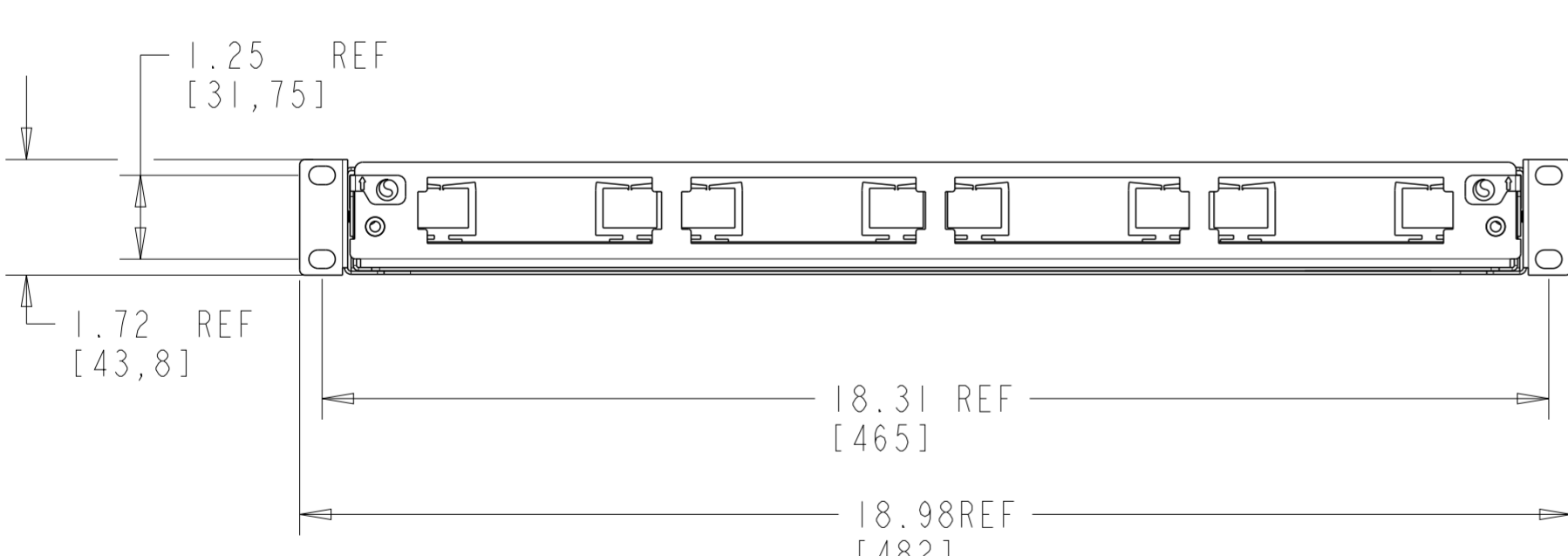
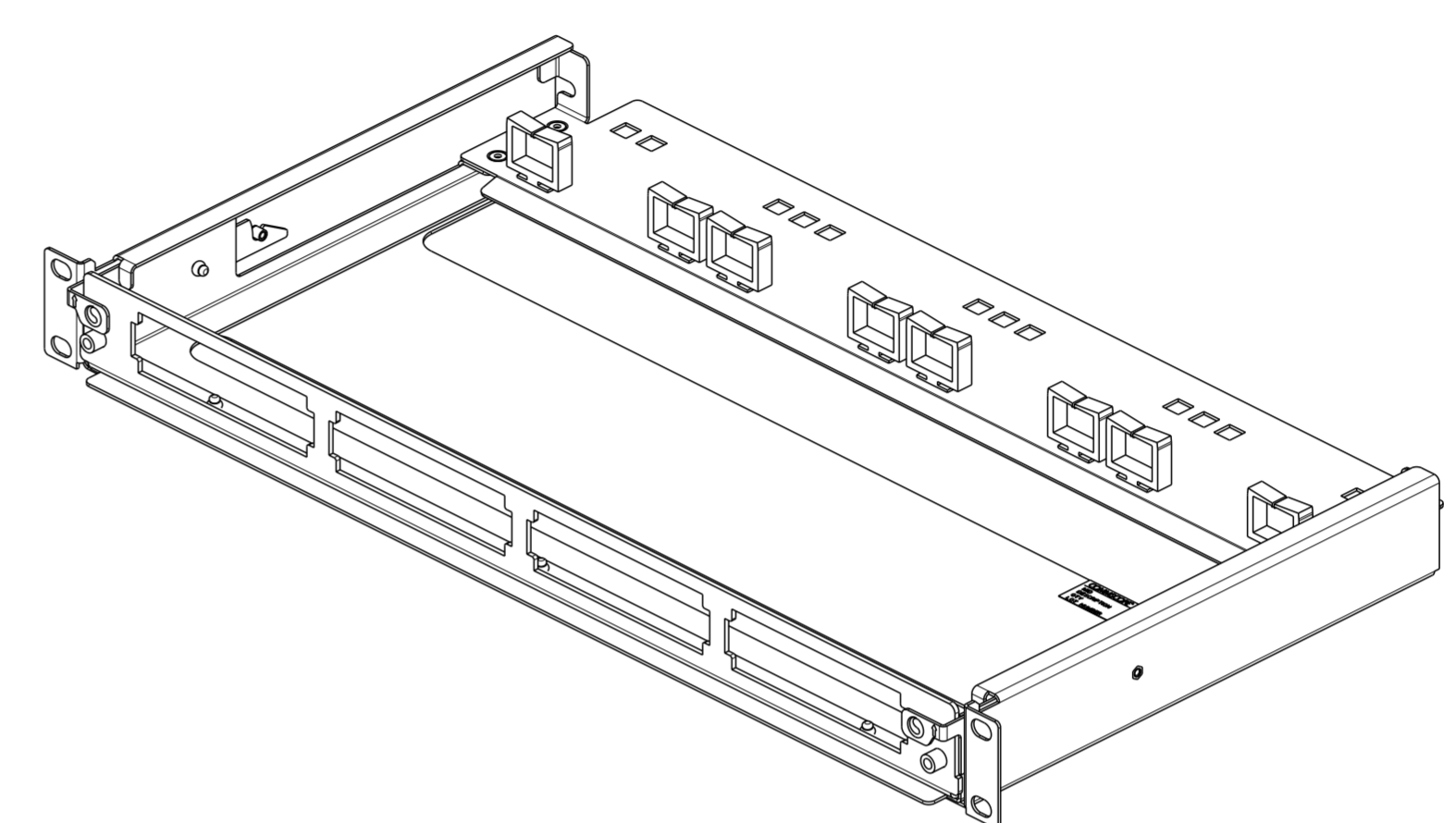
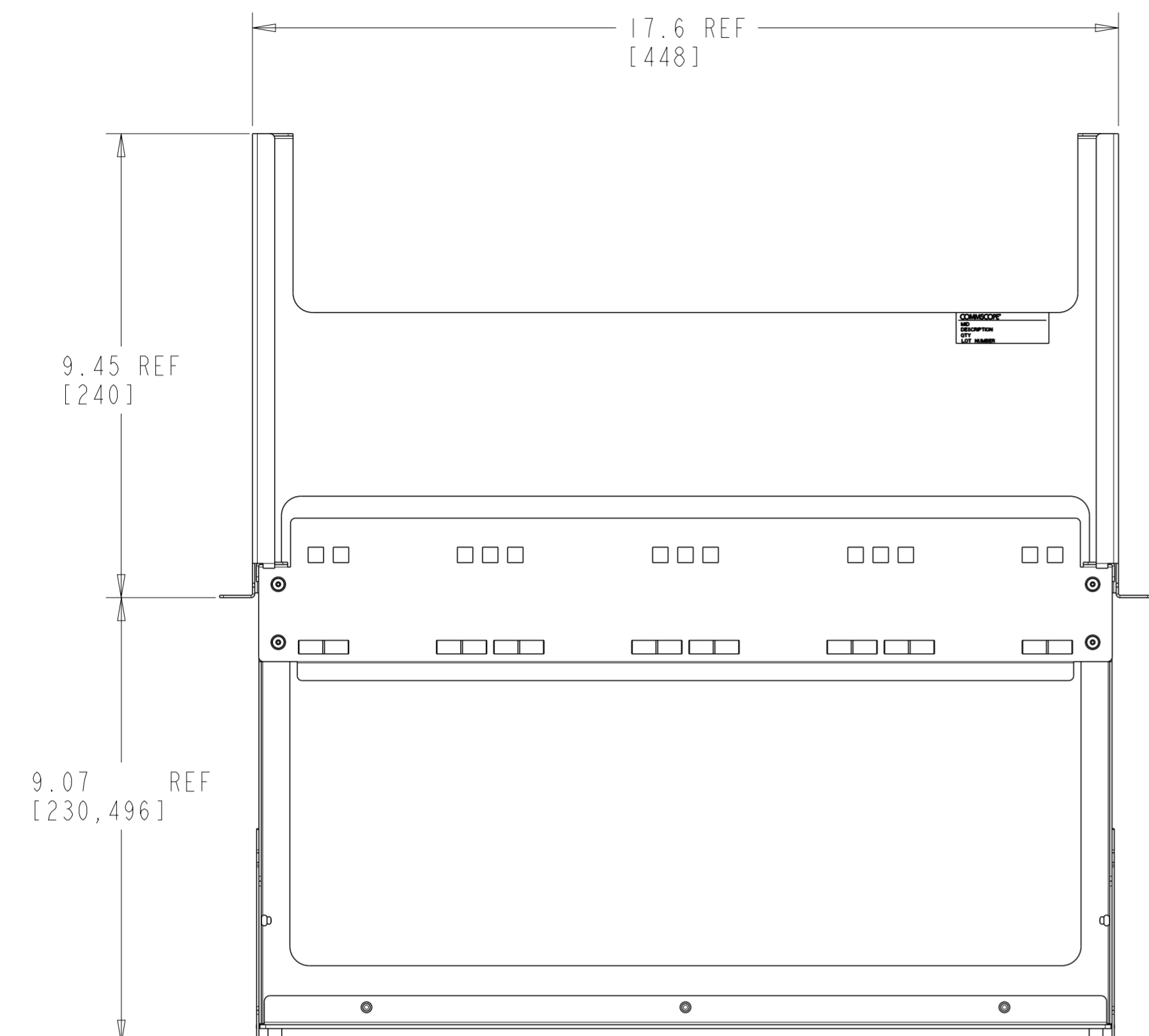


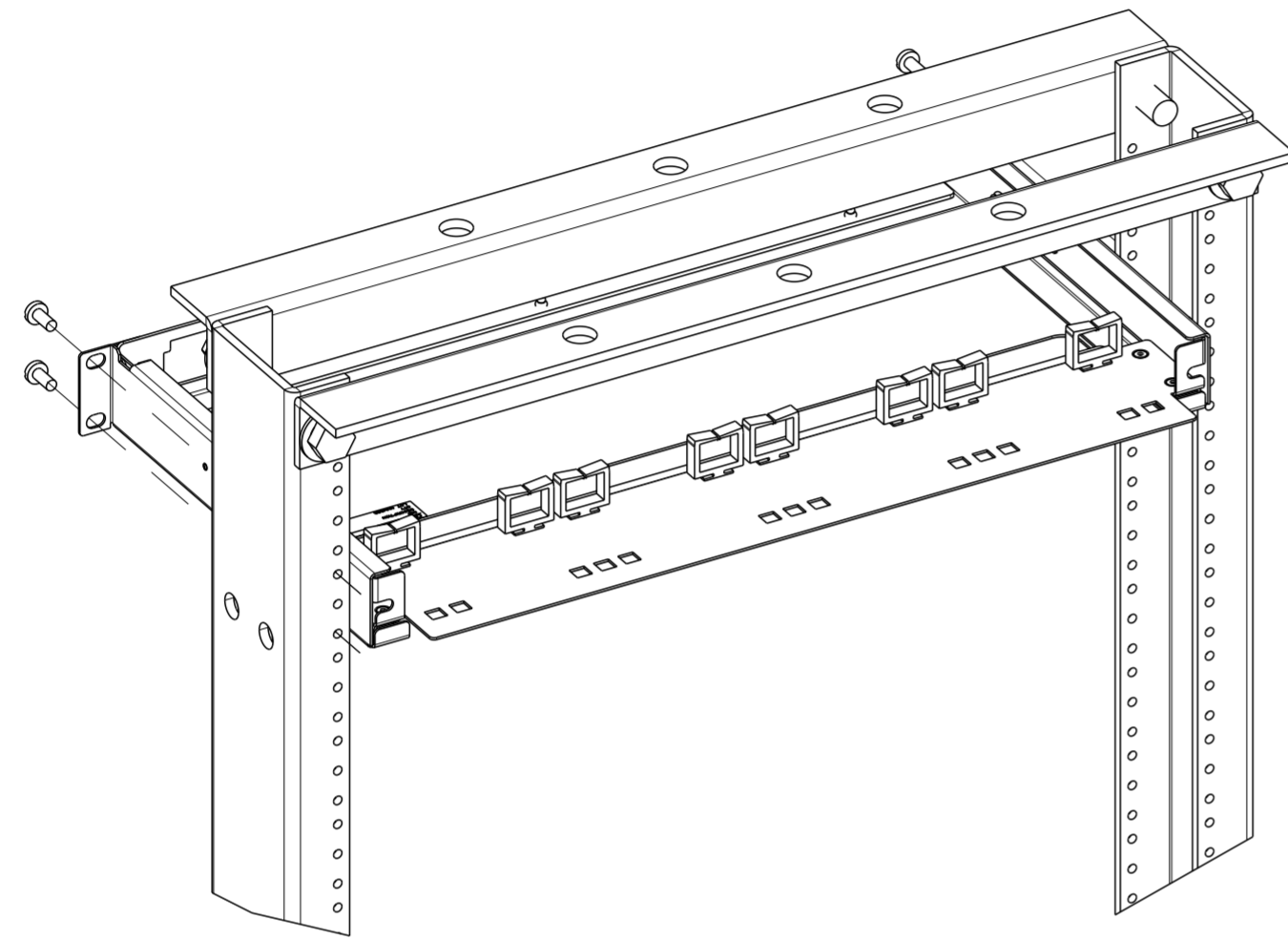
REVISIONS			
REV	DESCRIPTION	DATE	APPROVED
A	NA	21-FEB-2019	AL



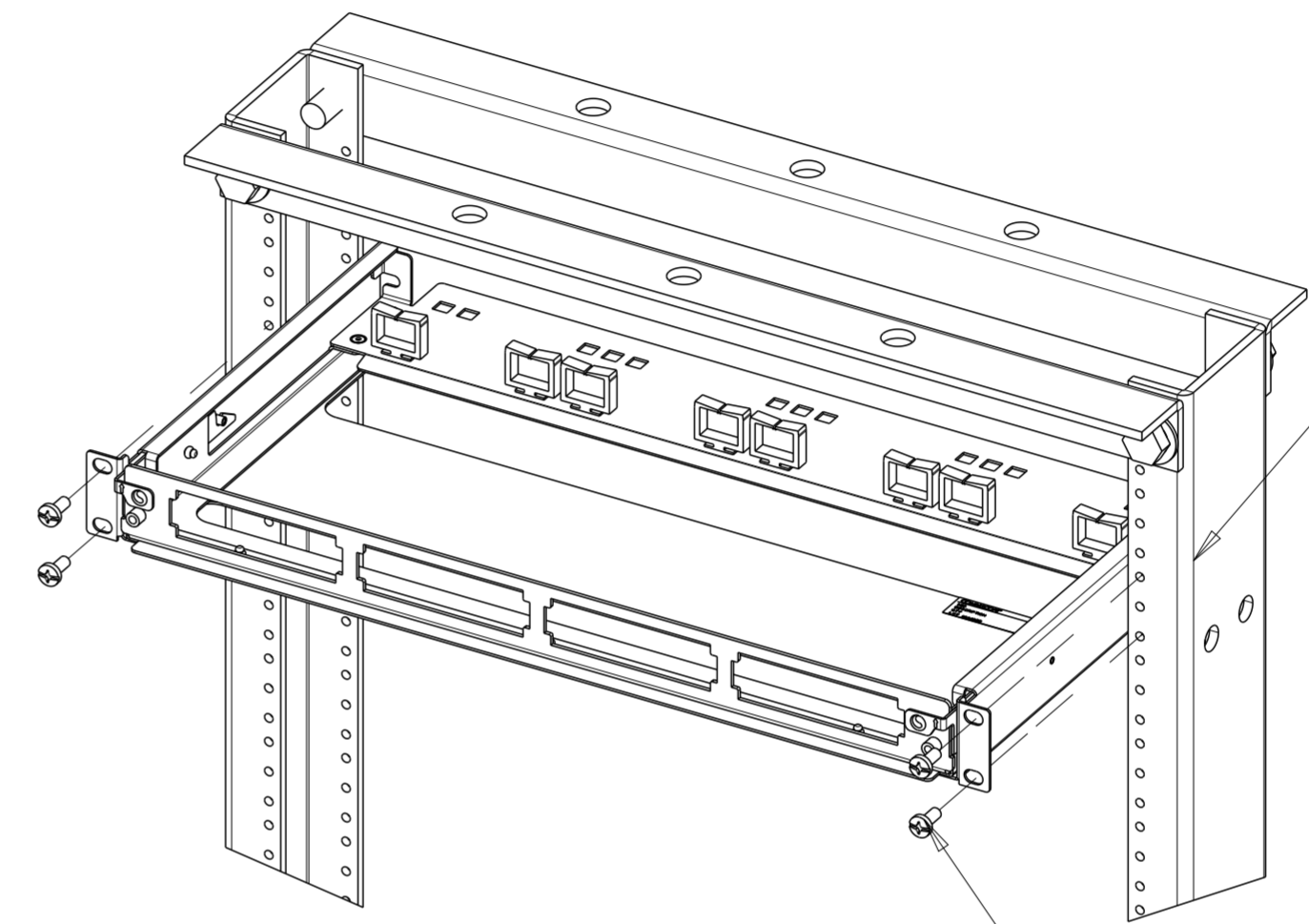
NOTES:
1. ALL DIMENSIONS IN INCHES (mm) UNLESS NOTED.

COMMSCOPE, INC.									
TOLERANCES					SAP MATERIAL MASTER				
N/A									
FINISH					MATERIAL				
N/A					N/A				
UNLESS OTHERWISE SPECIFIED DIMENSIONS ARE IN MILLIMETERS	DRAFTER			TITLE					
	A.L.I			AGL-IU-SL INSTALLATION DRAWING					
	CHECKER								
	M.DONG								
ENGINEER			SIZE	SCALE	DOCUMENT NO.				
A.L			A2	0.400	660003120				
CMO									
ALL SURFACES		WORK AREA: 52		MODEL		DRAWING		SHEET	
✓				VERSION		STATUS		REVISION	
				01				1 OF 2	

© 2019 CommScope, Inc. Confidential
 NOTICE: These drawings and specifications are the proprietary property of COMMSCOPE, INC. and may be used only for the specific purpose authorized in writing by COMMSCOPE, INC.



REAR VIEW
RACK FOR REFERENCE



FRONT VIEW
RACK FOR REFERENCE

INSTALL THE PANEL TO FRAME USING
SCREWS (4) PROVIDED WITH UNIT

COMMSCOPE, INC.

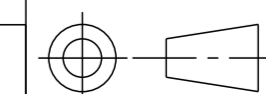
TITLE
AGL-IU-SL INSTALLATION DRAWING

SIZE	SCALE	DOCUMENT NO.
A2	0.400	660003120

DRAWING			SHEET 2 OF 2
VERSION	STATUS	REVISION	

© 2019 CommScope, Inc. Confidential

NOTICE: These drawings and specifications are the proprietary property of COMMSCOPE, INC. and may be used only for the specific purpose authorized in writing by COMMSCOPE, INC.



A
B
C
D
E
F
G
H

A
B
C
D
E
F
G
H