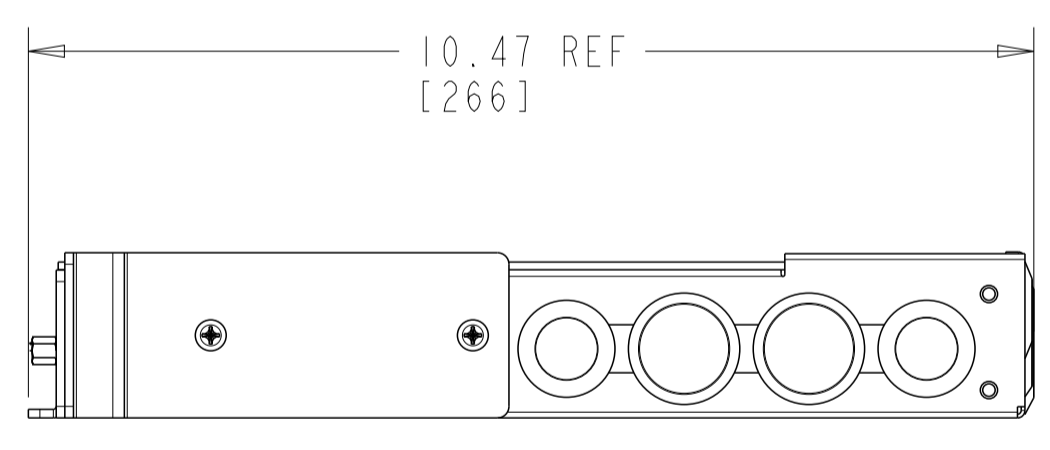
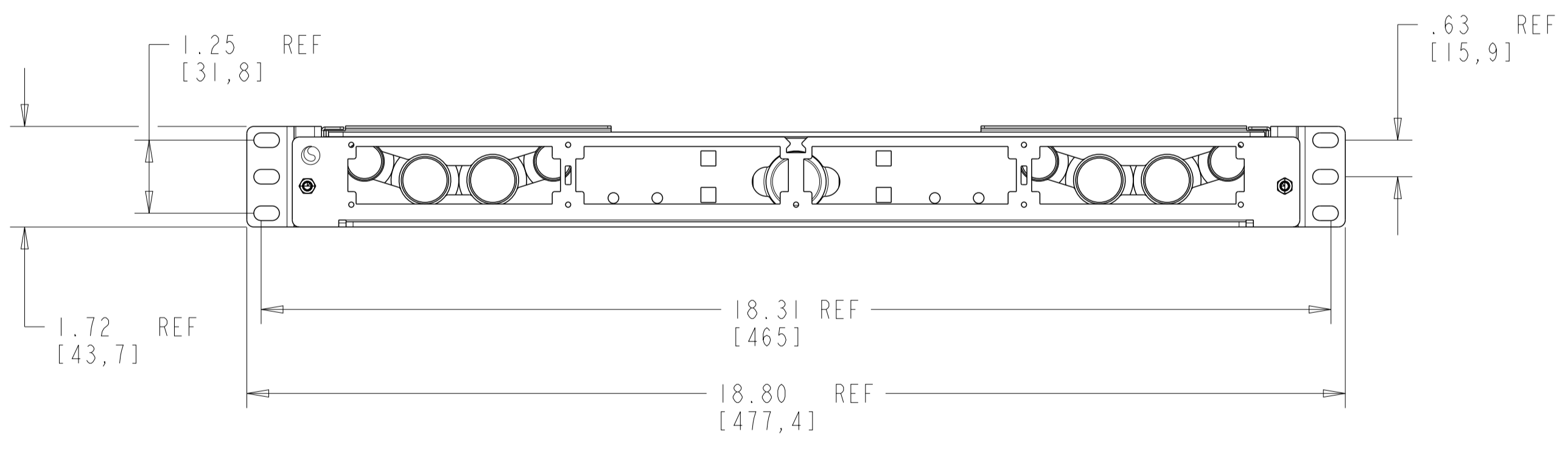
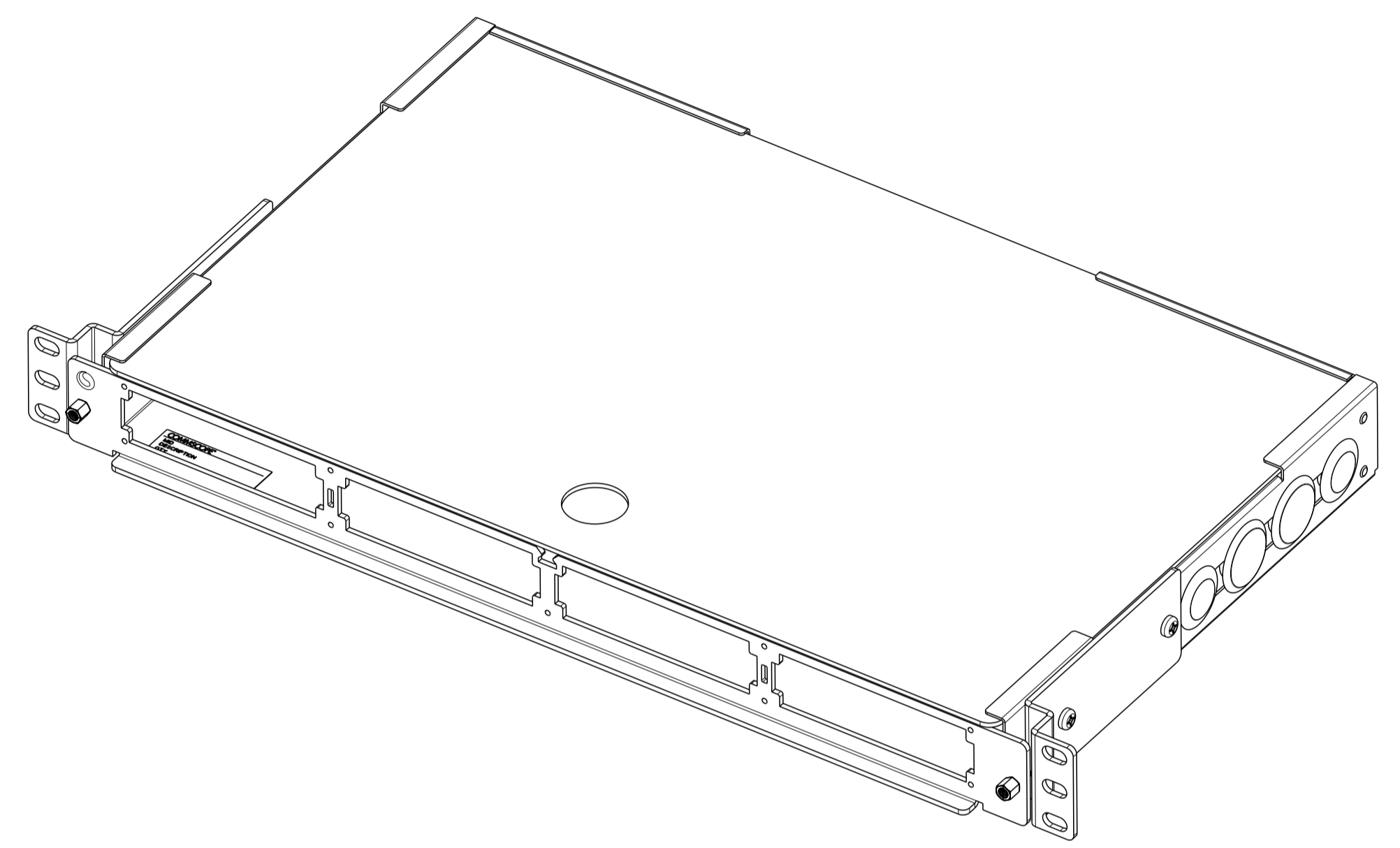
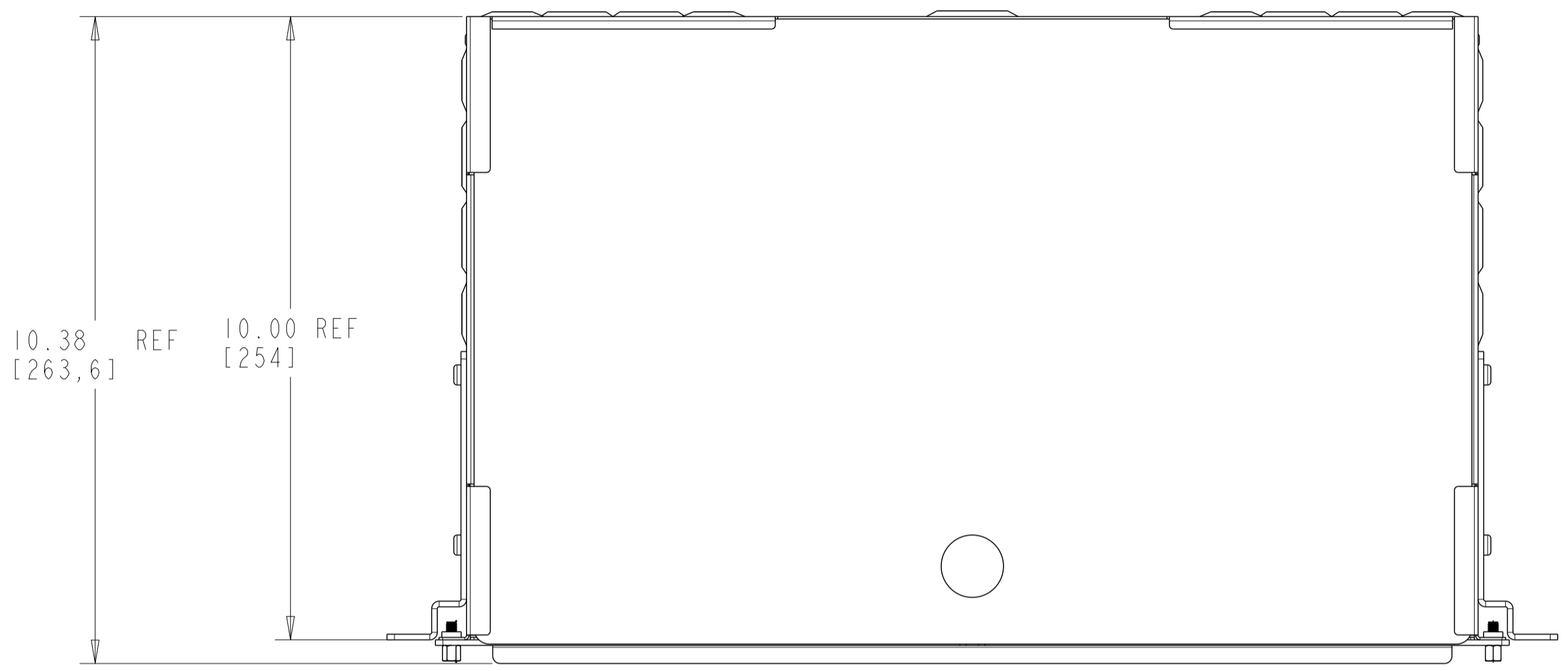


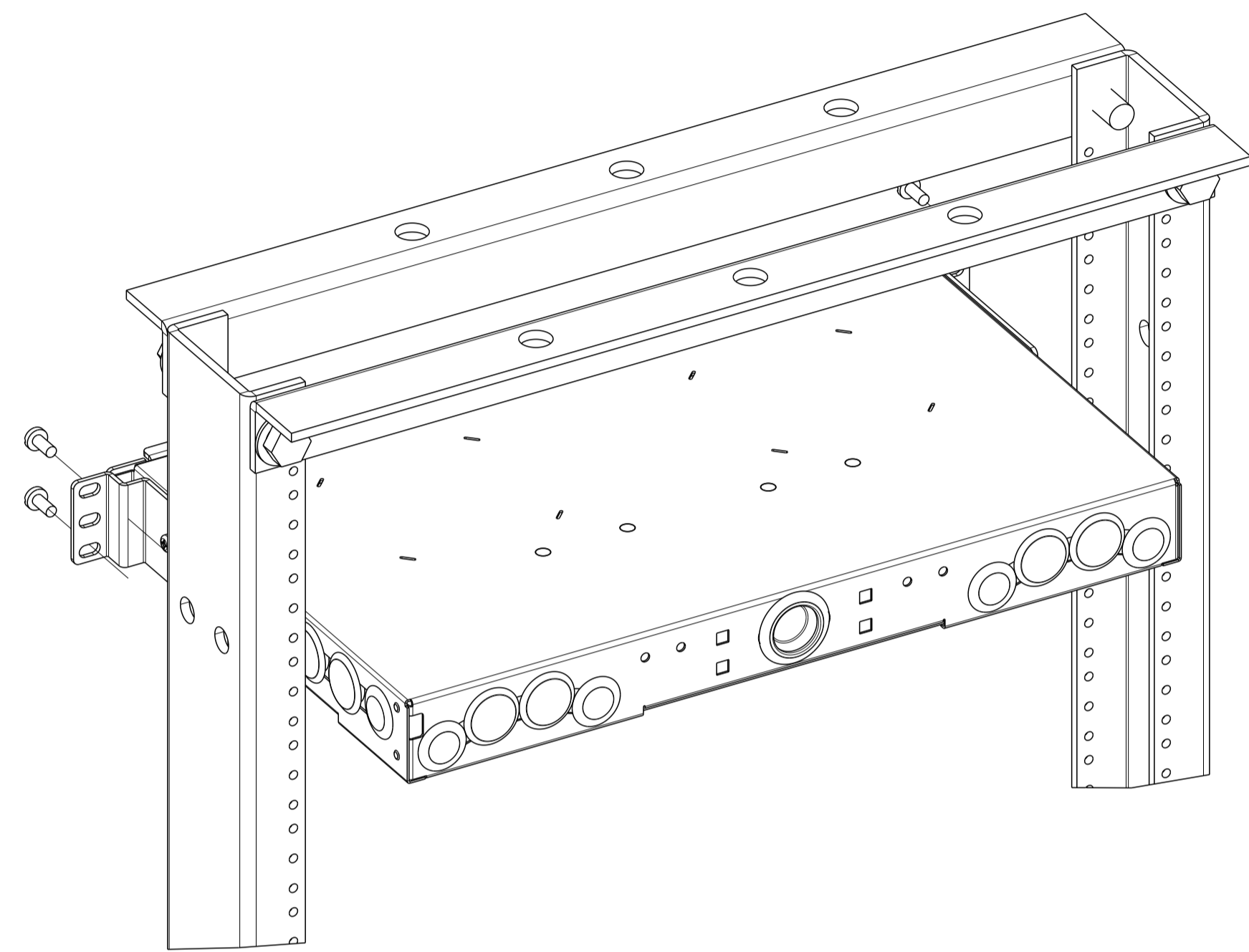
REVISIONS			
REV	DESCRIPTION	DATE	APPROVED
A	NA	22-FEB-2019	AL



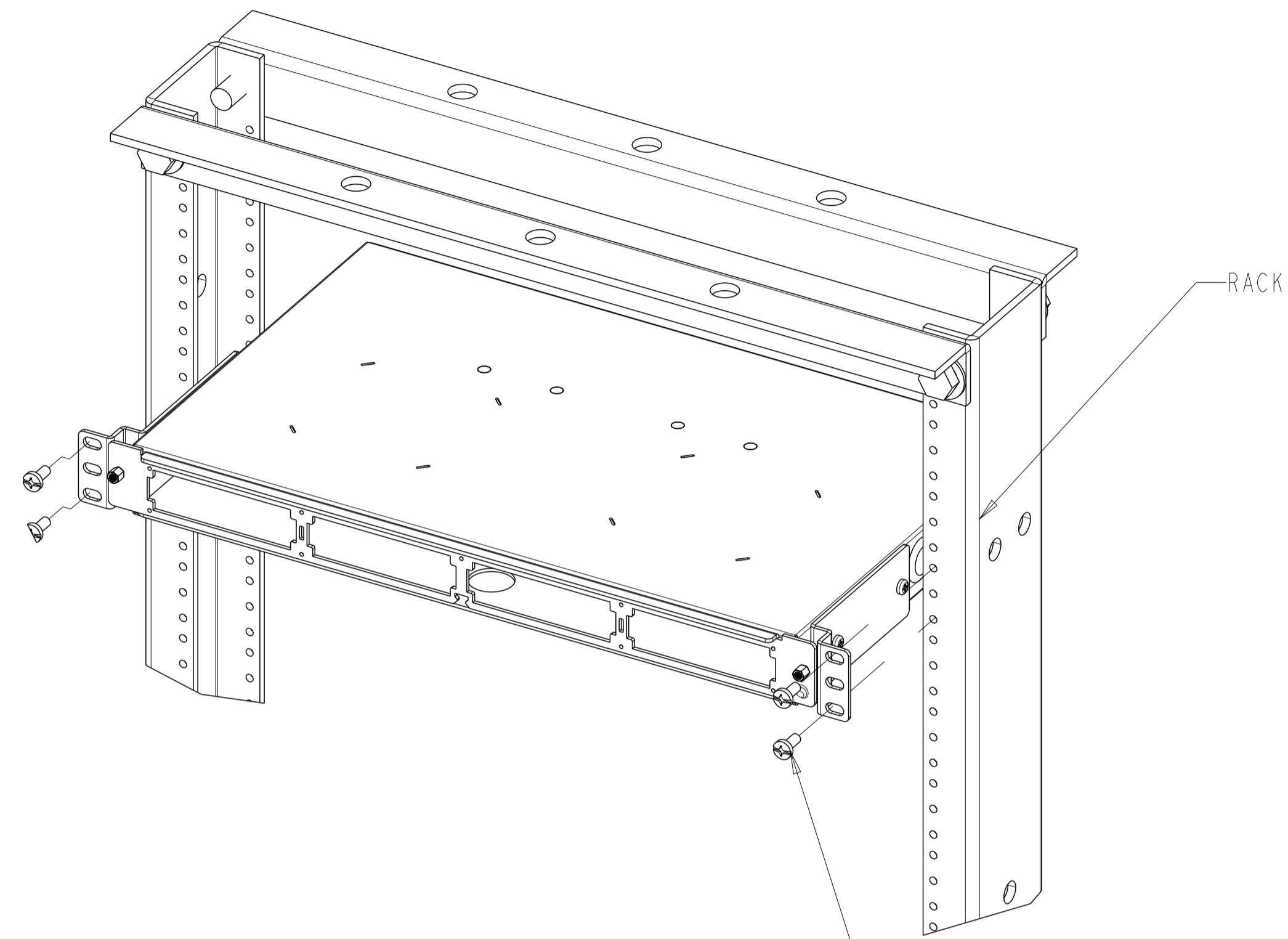
NOTES:
1. ALL DIMENSIONS IN INCHES (mm) UNLESS NOTED.

COMMSCOPE, INC.									
TOLERANCES		N/A			SAP MATERIAL MASTER				
FINISH		N/A			MATERIAL N/A				
UNLESS OTHERWISE SPECIFIED DIMENSIONS ARE IN MILLIMETERS	DRAFTER	A.LI			TITLE				
	CHECKER	M.DONG			AGL-IU-ENC-FX INSTALLATION DRAWING				
	ENGINEER	A.LI			SIZE	SCALE	DOCUMENT NO.		
	CMO				A	0.500	660003125		
ALL SURFACES	WORK AREA: 52	MODEL			DRAWING		SHEET		
✓		VERSION	STATUS	REVISION	VERSION	STATUS	REVISION	1 OF 2	
		00							

© 2019 CommScope, Inc. Confidential
NOTICE: These drawings and specifications are the proprietary property of COMMSCOPE, INC. and may be used only for the specific purpose authorized in writing by COMMSCOPE, INC.



REAR VIEW
RACK FOR REFERENCE



FRONT VIEW
RACK FOR REFERENCE

INSTALL THE PANEL TO FRAME USING
SCREWS (4) PROVIDED WITH UNIT

COMMSCOPE, INC.			
TITLE AGL-IU-ENC-FX INSTALLATION DRAWING			
SIZE A1	SCALE 0.333	DOCUMENT NO. 660003125	
DRAWING			SHEET
VERSION STATUS REVISION			2 OF 2

© 2019 CommScope, Inc. Confidential
NOTICE: These drawings and specifications are the proprietary property of COMMSCOPE, INC. and may be used only for the specific purpose authorized in writing by COMMSCOPE, INC.