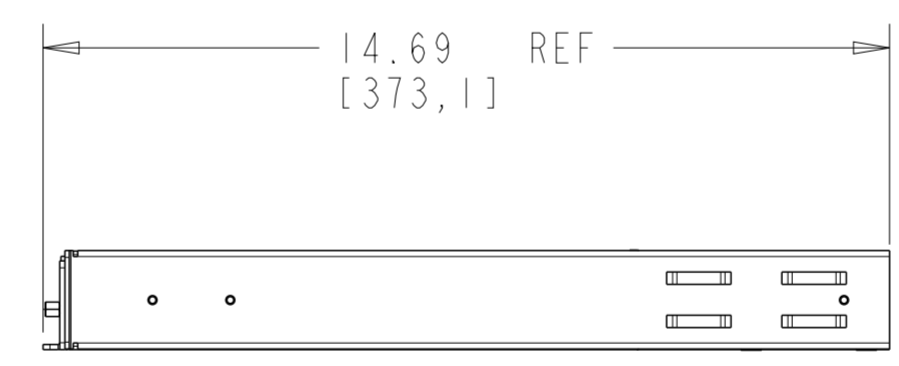
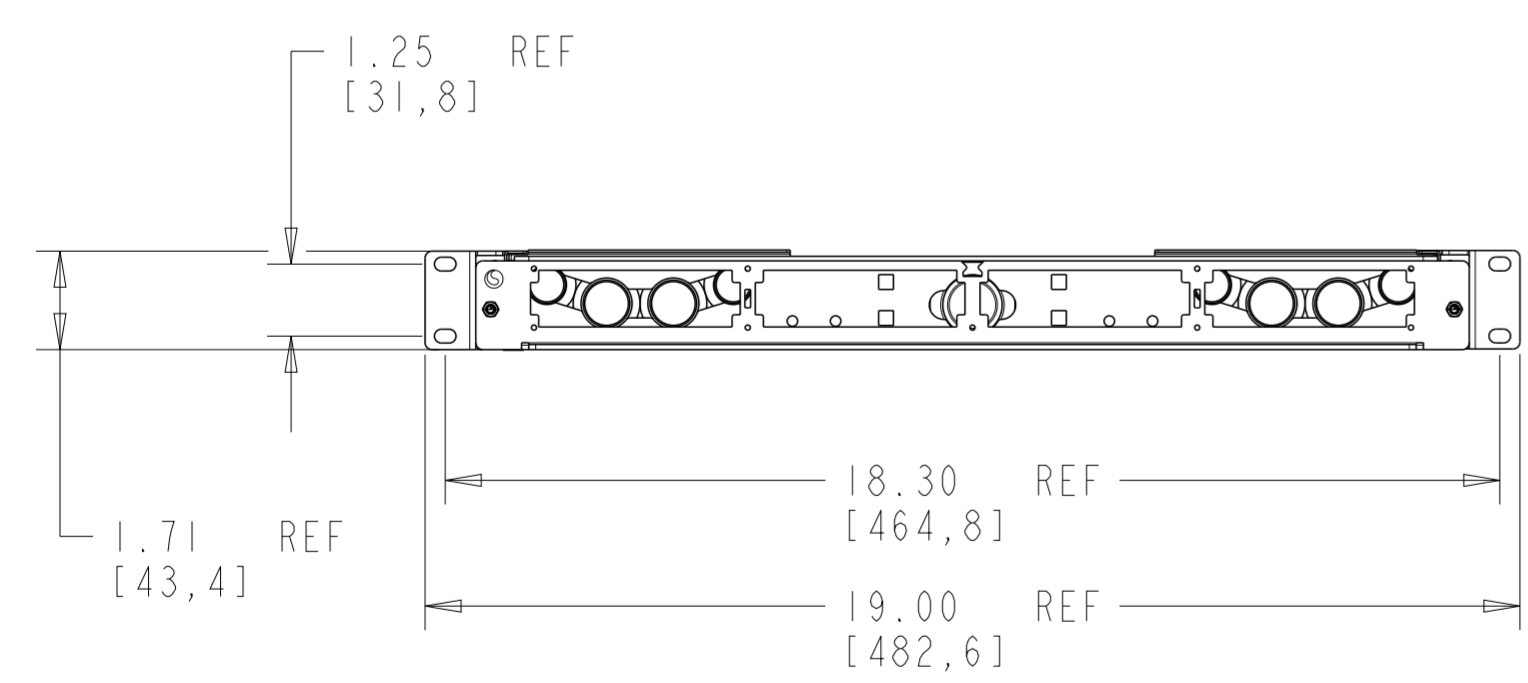
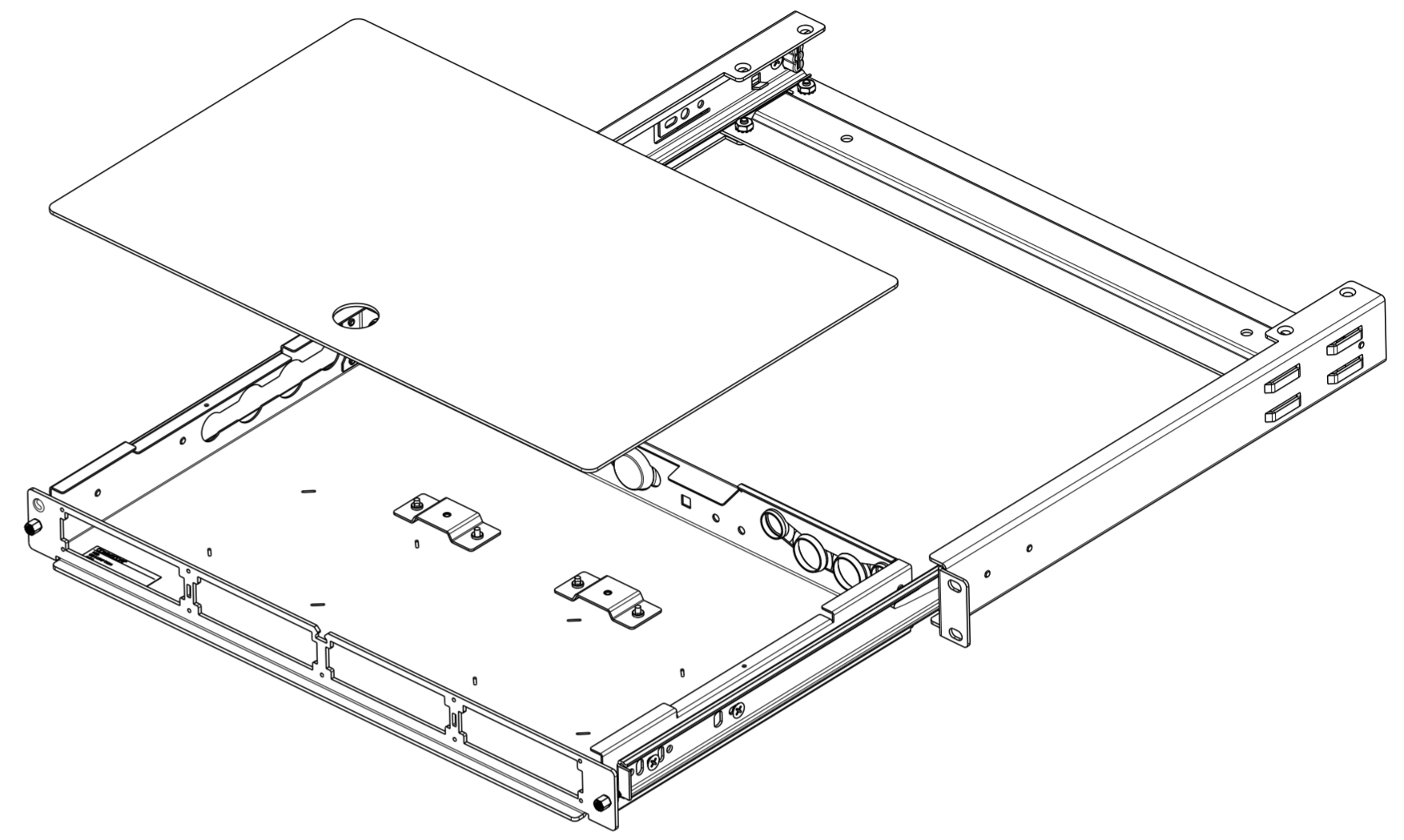
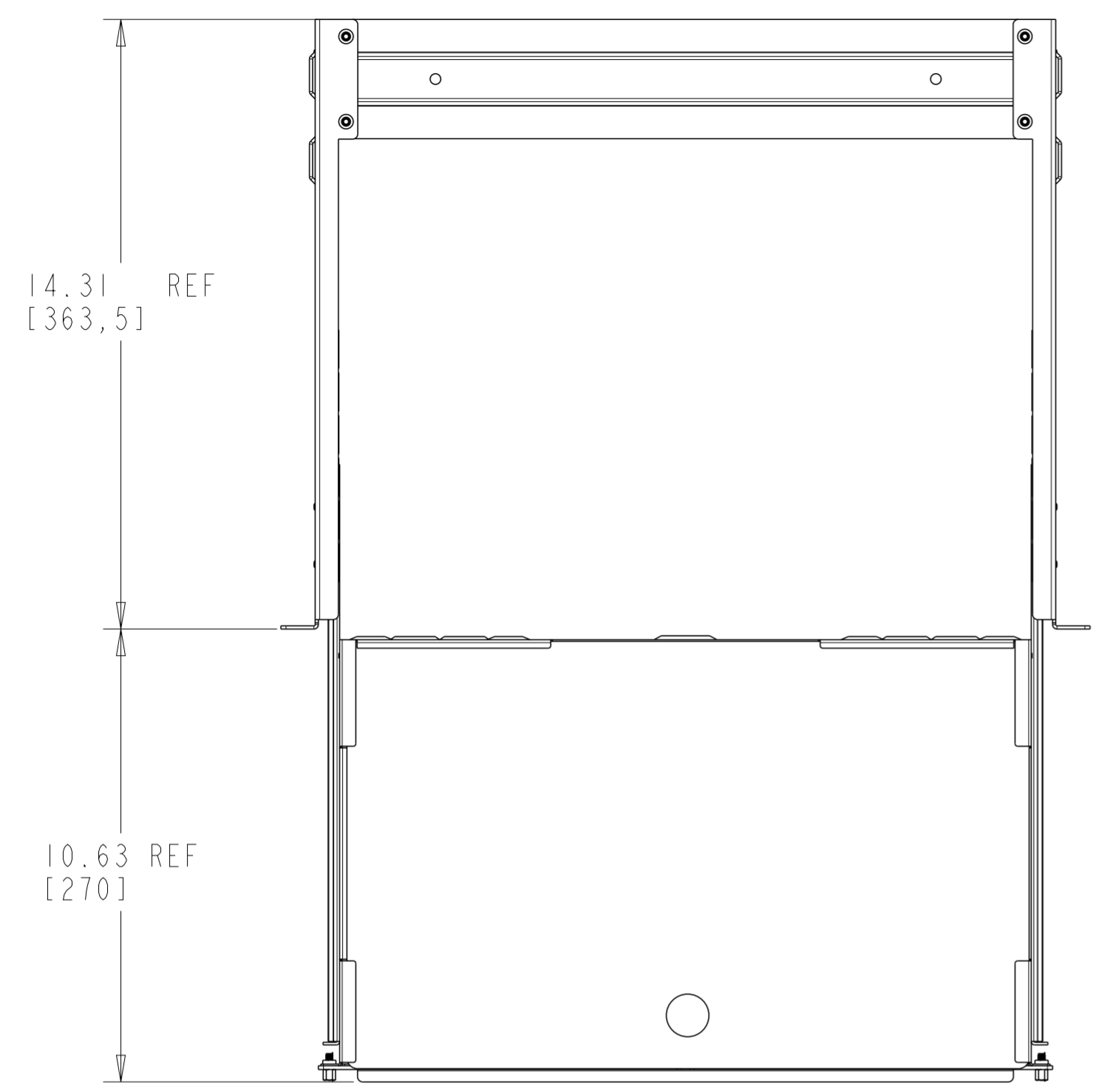


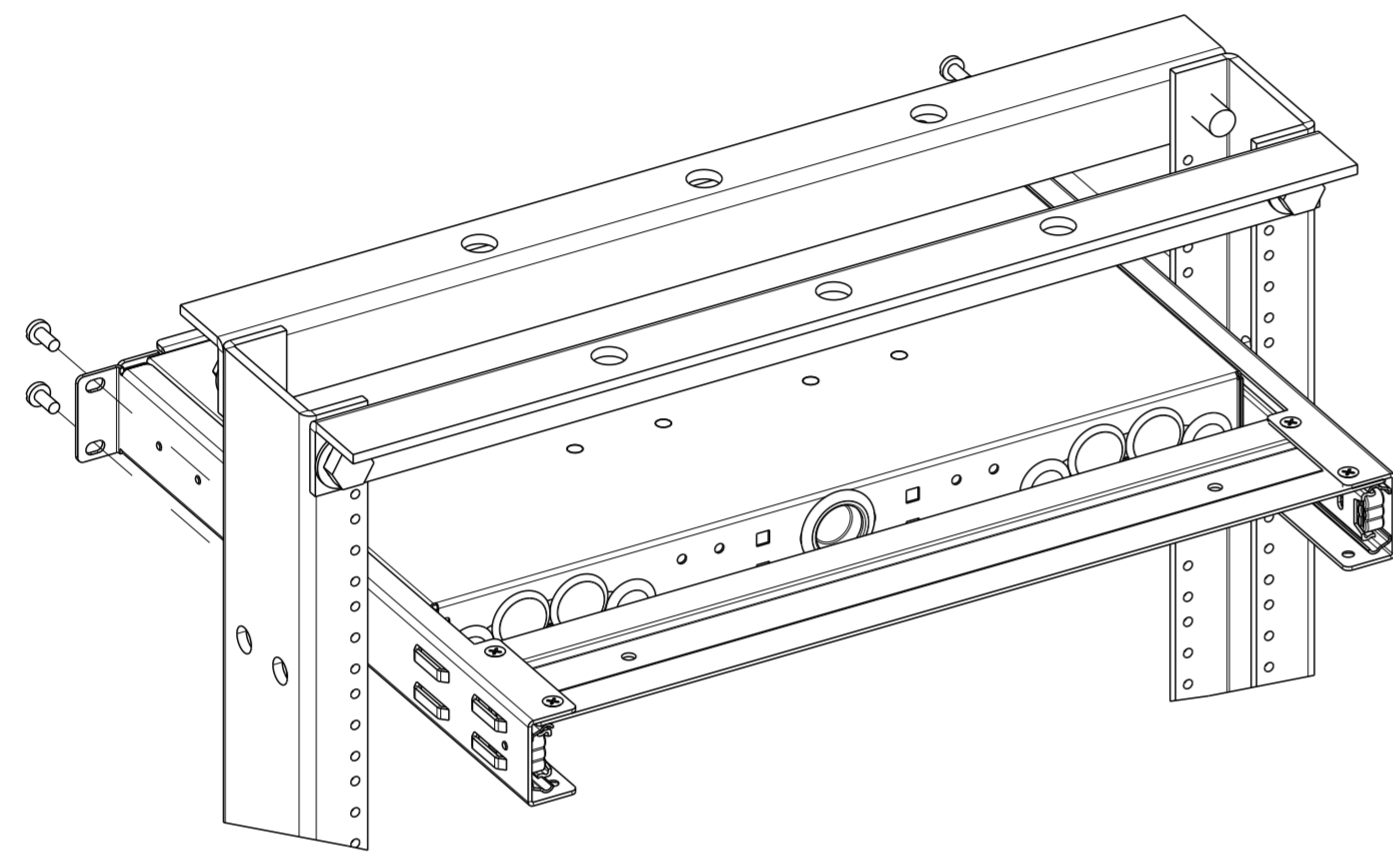
REVISIONS			
REV	DESCRIPTION	DATE	APPROVED
A	NA	22-FEB-2019	AL



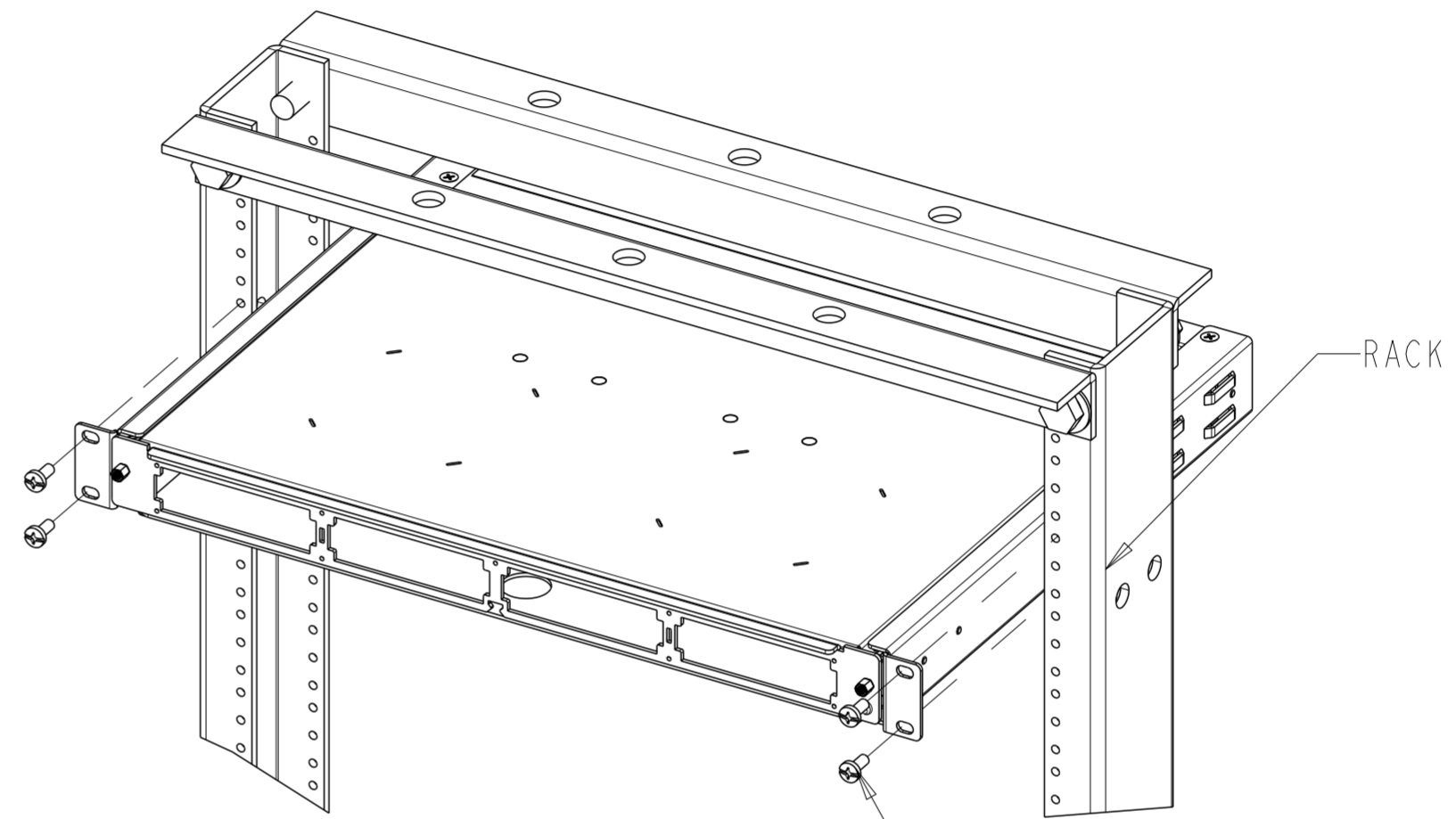
NOTES:
1. ALL DIMENSIONS IN INCHES (mm) UNLESS NOTED.

COMMSCOPE, INC.											
TOLERANCES					SAP MATERIAL MASTER						
N/A											
FINISH					MATERIAL						
N/A					N/A						
UNLESS OTHERWISE SPECIFIED DIMENSIONS ARE IN MILLIMETERS	DRAFTER			TITLE							
	A.L.I			AGL-1U-ENC-SL INSTALLATION DRAWING							
	CHECKER			SIZE			SCALE		DOCUMENT NO.		
	M.DONG			A2			0.300		660003126		
ENGINEER			CMO								
A.L.I											
ALL SURFACES		WORK AREA: 52		MODEL			DRAWING			SHEET	
✓		[Symbol]		VERSION			STATUS			REVISION	
				00			[Hatched]			1 OF 2	

© 2019 CommScope, Inc. Confidential
NOTICE: These drawings and specifications are the proprietary property of COMMSCOPE, INC. and may be used only for the specific purpose authorized in writing by COMMSCOPE, INC.



REAR VIEW
RACK FOR REFERENCE



FRONT VIEW
RACK FOR REFERENCE

INSTALL THE PANEL TO FRAME USING
SCREWS (4) PROVIDED WITH UNIT

COMMSCOPE, INC.

TITLE
AGL-IU-ENC-SL
INSTALLATION DRAWING

SIZE	SCALE	DOCUMENT NO.
A2	0.300	660003126

DRAWING			SHEET 2 OF 2
VERSION	STATUS	REVISION	

© 2019 CommScope, Inc. Confidential

NOTICE: These drawings and specifications are the proprietary property of COMMSCOPE, INC. and may be used only for the specific purpose authorized in writing by COMMSCOPE, INC.

