

SHPX2-13/B

Base Product



0.6 m | 2 ft Sentinel® High Performance Antenna, dual-polarized,
12.700–13.250 GHz

Product Classification

Product Type	Microwave antenna
Product Brand	Sentinel®

General Specifications

Antenna Type	SHPX - Sentinel® High Performance Antenna, dual-polarized
Polarization	Dual
Side Struts, Included	0
Side Struts, Optional	0

Dimensions

Diameter, nominal	0.6 m 2 ft
--------------------------	--------------

Electrical Specifications

Operating Frequency Band	12.700 – 13.250 GHz
Gain, Low Band	35.8 dBi
Gain, Mid Band	36 dBi
Gain, Top Band	36.2 dBi
Boresite Cross Polarization Discrimination (XPD)	30 dB
Front-to-Back Ratio	67 dB
Beamwidth, Horizontal	2.7 °
Beamwidth, Vertical	2.7 °
Return Loss	17.7 dB
VSWR	1.3

Page 1 of 6

SHPX2-13/B

Radiation Pattern Envelope Reference (RPE)

7274B

Electrical Compliance

Brazil Anatel Class 2 | Canada SRSP 312.7 Part B | ETSI 302 217 Class 3

Cross Polarization Discrimination (XPD) Electrical Compliance

ETSI EN 302217 XPD Category 2

Mechanical Specifications

Compatible Mounting Pipe Diameter

50 mm–115 mm | 2.0 in–4.5 in

Fine Azimuth Adjustment Range

±15°

Fine Elevation Adjustment Range

±15°

Wind Speed, operational

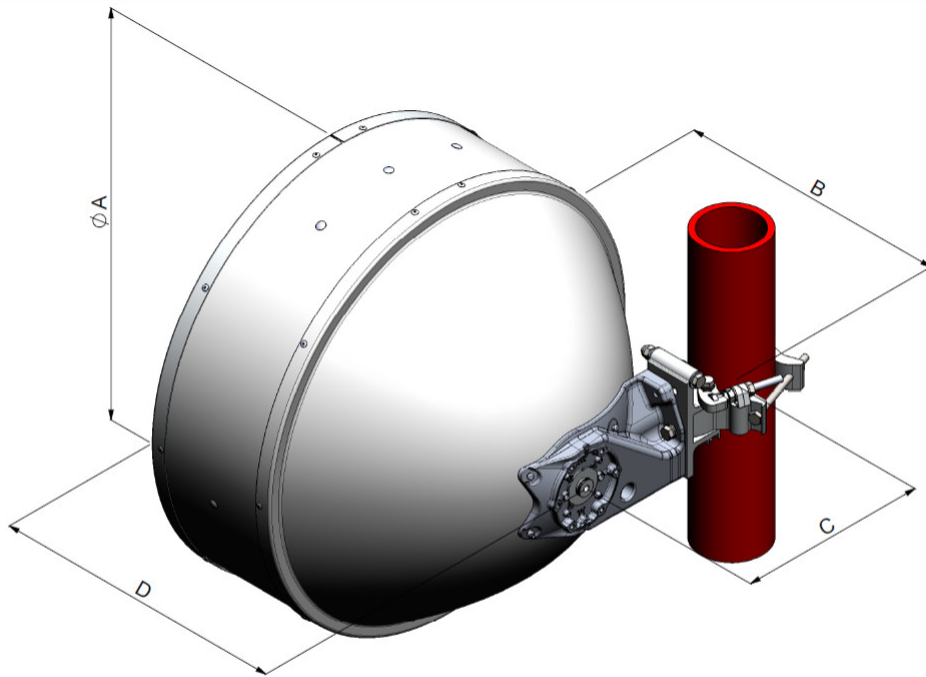
201 km/h | 124.896 mph

Wind Speed, survival

250 km/h | 155.343 mph

SHPX2-13/B

Antenna Dimensions and Mounting Information



Dimension in Inches(mm)				
Antenna size, ft(m)	A	B	C	D
2(0.6)	26.1(664)	17.4(441)	12.1(307)	18.8(478)

Wind Forces at Wind Velocity Survival Rating

Axial Force (FA)	1290 N 290.004 lbf
Angle α for MT Max	0°
Side Force (FS)	639 N 143.653 lbf
Twisting Moment (MT)	395 N-m 3,496.045 in lb
Zcg without Ice	187 mm 7.362 in
Zcg with 1/2 in (12 mm) Radial Ice	185 mm 7.283 in
Weight with 1/2 in (12 mm) Radial Ice	34 kg 74.957 lb

SHPX2-13/B

Wind Forces at Wind Velocity Survival Rating Image



Packaging and Weights

Weight, net

11 kg | 24.251 lb

Regulatory Compliance/Certifications

Agency

Classification

ISO 9001:2015

Designed, manufactured and/or distributed under this quality management system

* Footnotes

Operating Frequency Band

Bands correspond with CCIR recommendations or common allocations used throughout the world. Other ranges can be accommodated on special order.

SHPX2-13/B

Gain, Mid Band

For a given frequency band, gain is primarily a function of antenna size. The gain of Andrew antennas is determined by either gain by comparison or by computer integration of the measured antenna patterns.

Boresite Cross Polarization Discrimination (XPD)

The difference between the peak of the co-polarized main beam and the maximum cross-polarized signal over an angle twice the 3 dB beamwidth of the co-polarized main beam.

Front-to-Back Ratio

Denotes highest radiation relative to the main beam, at $180^\circ \pm 40^\circ$, across the band. Production antennas do not exceed rated values by more than 2 dB unless stated otherwise.

Return Loss

The figure that indicates the proportion of radio waves incident upon the antenna that are rejected as a ratio of those that are accepted.

VSWR

Maximum; is the guaranteed Peak Voltage-Standing-Wave-Ratio within the operating band.

Radiation Pattern Envelope Reference (RPE)

Radiation patterns define an antenna's ability to discriminate against unwanted signals. Under still dry conditions, production antennas will not have any peak exceeding the current RPE by more than 3dB, maintaining an angular accuracy of $\pm 1^\circ$ throughout

Cross Polarization Discrimination (XPD) Electrical Compliance

The difference between the peak of the co-polarized main beam and the maximum cross-polarized signal over an angle twice the 3 dB beamwidth of the co-polarized main beam.

Wind Speed, operational

For VHLP(X), SHP(X), HX and USX antennas, the wind speed where the maximum antenna deflection is 0.3 x the 3 dB beam width of the antenna. For other antennas, it is defined as a deflection is equal to or less than 0.1 degrees.

Wind Speed, survival

The maximum wind speed the antenna, including mounts and radomes, where applicable, will withstand without permanent deformation. Realignment may be required. This wind speed is applicable to antenna with the specified amount of radial ice.

Axial Force (FA)

Maximum forces exerted on a supporting structure as a result of wind from the most critical direction for this parameter. The individual maximums specified may not occur simultaneously. All forces are referenced to the mounting pipe.

Side Force (FS)

Maximum side force exerted on the mounting pipe as a result of wind from the most critical direction for this

parameter. The individual maximums specified may not occur simultaneously. All forces are referenced to the mounting pipe.

Maximum forces exerted on a supporting structure as a result of wind from the most critical direction for this parameter. The individual maximums specified may not occur simultaneously. All forces are referenced to the mounting pipe.

Twisting Moment (MT)