

# TFAM85/18/21-14

---



ION®-B Series Medium Power Remote Unit for Cellular 850, GSM 1800, and UMTS

**OBSOLETE**

## Product Classification

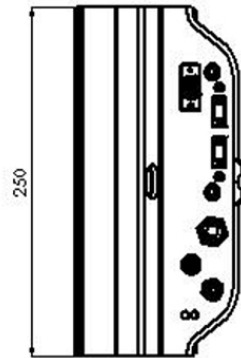
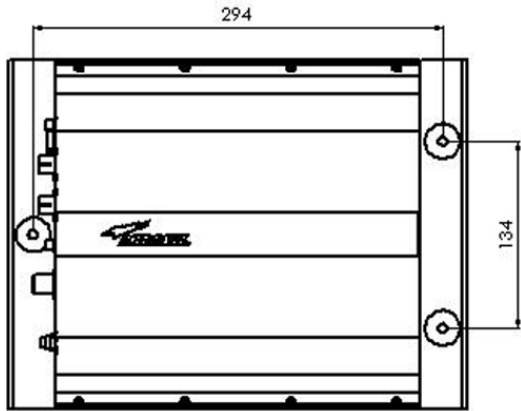
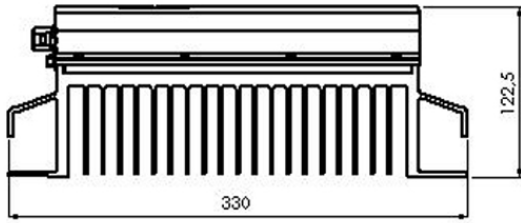
**Product Type** Remote unit  
**Product Brand** ION®-B

## General Specifications

**Note** Detailed Product Specifications are available. Please contact your local CommScope representative.  
**Power Class** Medium

## Dimension Drawing

# TFAM85/18/21-14



## Electrical Specifications

### Impedance

50 ohm

### License Band

CEL 850 | GSM 1800 | UMTS

### Voltage Range

85 to 265 Vac

## Electrical Specifications, Rx (Uplink)

### Operating Frequency Band

1710 – 1785 MHz (GSM 1800) | 1920 – 1980 MHz (UMTS) | 824 – 849 MHz (CEL 850)

## Electrical Specifications, Tx (Downlink)

### Operating Frequency Band

1805 – 1880 MHz (DCS 1800) | 2110 – 2170 MHz (UMTS) | 869 – 894 MHz (CEL 850)

## Regulatory Compliance/Certifications

### Agency

ISO 9001:2015

### Classification

Designed, manufactured and/or distributed under this quality management system



## Included Products

- TPSN1/28-80 – Power Supply Adapter ION®-B Series Remote Units, 80 W

# TPSN1/28-80

---



Power Supply Adapter ION®-B Series Remote Units, 80 W

## Product Classification

<b>Product Type</b>	Power adapters
<b>Product Brand</b>	ION®-B

## General Specifications

<b>Note</b>	Detailed Product Specifications are available. Please contact your local CommScope representative.
-------------	--

## Dimension Drawing

## Electrical Specifications

<b>Output Power, maximum</b>	80 W
------------------------------	------

## Regulatory Compliance/Certifications

<b>Agency</b>	<b>Classification</b>
ISO 9001:2015	Designed, manufactured and/or distributed under this quality management system

