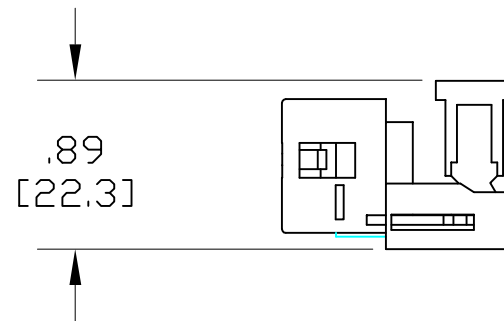
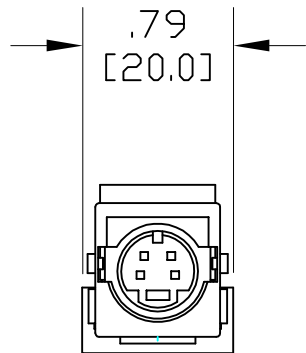


MATERIAL ID	DESCRIPTION	WEIGHT (lbs.)
760005256	M81 TYPE, (S-VIDEO 110)	WEIGHT

NOTES:

- SEE COMMSCOPE CATALOG FOR PART NUMBER SUFFIXES TO INDICATE COLOR/PKG.
- SEE COMMSCOPE CATALOG FOR COMPLETE LIST OF PARTS RELATED TO THE USE OF THIS PRODUCT.
- DIMENSIONS IN PARENTHESES ARE IN METRIC.
- PART INCLUDES:  
(1) ASSEMBLY, M81 S-VIDEO



<b>M81 TYPE S-VIDEO 110</b>	
<b>COMMSCOPE, INC</b> HICKORY, NORTH CAROLINA	
DRAWN BY SEW	DWG NO. 760005256
DATE 8/9/08	

REV	DATE	ECR	DESCRIPTION	BY
1	8/9/08		INITIAL ISSUE	TWL