

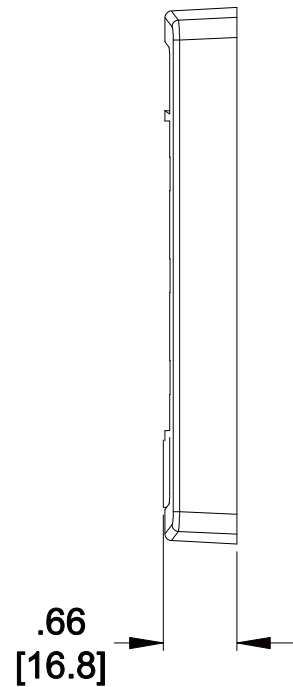
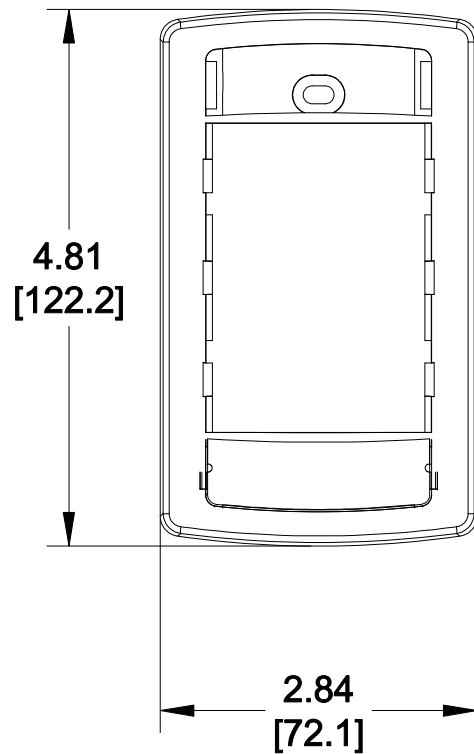
MATERIAL ID	DESCRIPTION
760010025	FLEXIBLE FACEPLATE FRAME, WHITE

NOTES:

1. SEE COMMSCOPE CATALOG FOR PART NUMBER SUFFIXES TO INDICATE COLOR/PKG.
2. SEE COMMSCOPE CATALOG FOR COMPLETE LIST OF PARTS RELATED TO THE USE OF THIS PRODUCT.
3. DIMENSIONS IN PARENTHESES ARE IN METRIC.

4. PART INCLUDES:

- (1) FRAME
- (2) SCREW
- (2) CARD
- (2) RETAINER CARD
- (1) RETAINER



M13FP-262

**COMMSCOPE, INC** OF NORTH CAROLINA

1	05/26/11		INITIAL ISSUE		DRAWN BY JW		
REV	DATE	ECR	DESCRIPTION	APPROVED BY	DATE 05/26/2011		DWG NO 760010025