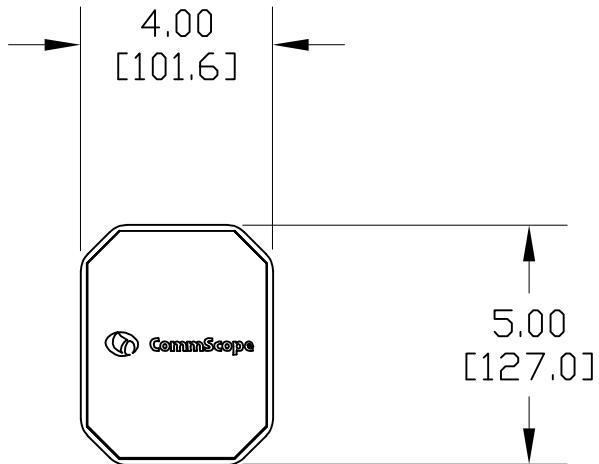


MATERIAL ID	DESCRIPTION	WEIGHT (lbs.)
760073007	SPOOL, LABELED, VERTICAL TROUGH KIT	0.3

NOTES:

- SEE COMMSCOPE CATALOG FOR PART NUMBER SUFFIXES TO INDICATE COLOR/PKG.
- SEE COMMSCOPE CATALOG FOR COMPLETE LIST OF PARTS RELATED TO THE USE OF THIS PRODUCT.
- DIMENSIONS IN PARENTHESES ARE IN METRIC.
- PART INCLUDES:
(2) SPOOLS
(2) LABELS



VCM SPOOL	
COMMSCOPE, INC HICKORY, NORTH CAROLINA	
DRAWN BY SEW	
DATE 4/4/08	
DWG NO. 760073007	

REV	DATE	ECR	DESCRIPTION	BY
1	4/4/08		INITIAL ISSUE	DSP