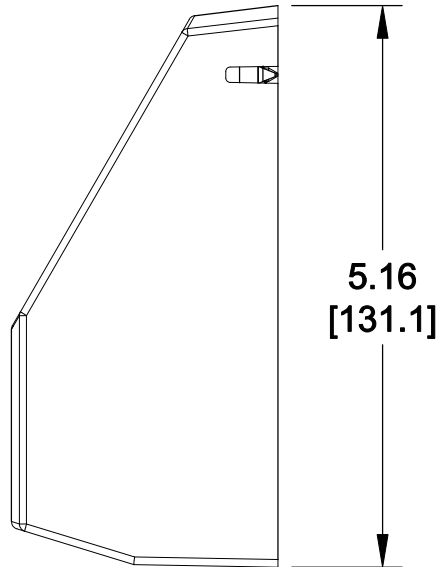
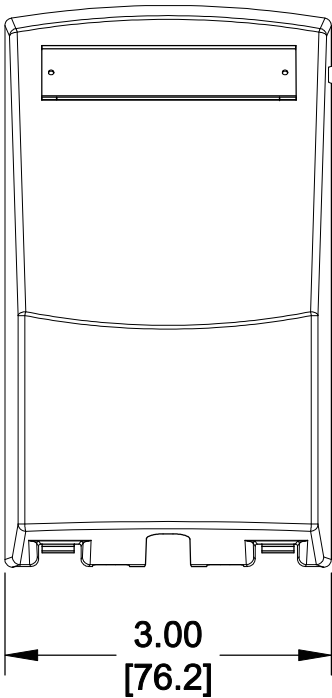
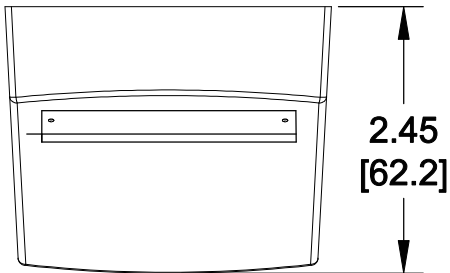


MATERIAL ID	DESCRIPTION
760091330	FACEPLATE COVER-TAMPER Res.(Std) - CLEAR (SINGLE GANG)



NOTES:

1. SEE COMMSCOPE CATALOG FOR PART NUMBER SUFFIXES TO INDICATE COLOR/PKG.
2. SEE COMMSCOPE CATALOG FOR COMPLETE LIST OF PARTS RELATED TO THE USE OF THIS PRODUCT.
3. DIMENSIONS IN PARENTHESES ARE IN METRIC.
4. PART INCLUDES:
 - (1) COVER, TAMPER-RESISTANT FACEPLATE (HP), CLEAR
 - (1) COVER, LABEL, CLEAR, 3-PC STRIP
 - (1) LABEL, PAPER, 3-PC STRIP
 - (1) SCREW, PHILLIPS PAN-HEAD SELF-TAPPING, #8 - 3/4" LONG
 - (1) SCREW, TORX T-20 SELF-TAPPING, #8 - 3/4" LONG, CAP OR BUTTON HEAD

M13FP-TRC, COVER ONLY, SG, HP, CLEAR
COMMSCOPE, INC OF NORTH CAROLINA

1	11/05/12		INITIAL ISSUE	CZ	DRAWN BY DJ	
REV	DATE	ECR	DESCRIPTION	APPROVED BY	DATE 11/05/2012	DWG NO 760091330