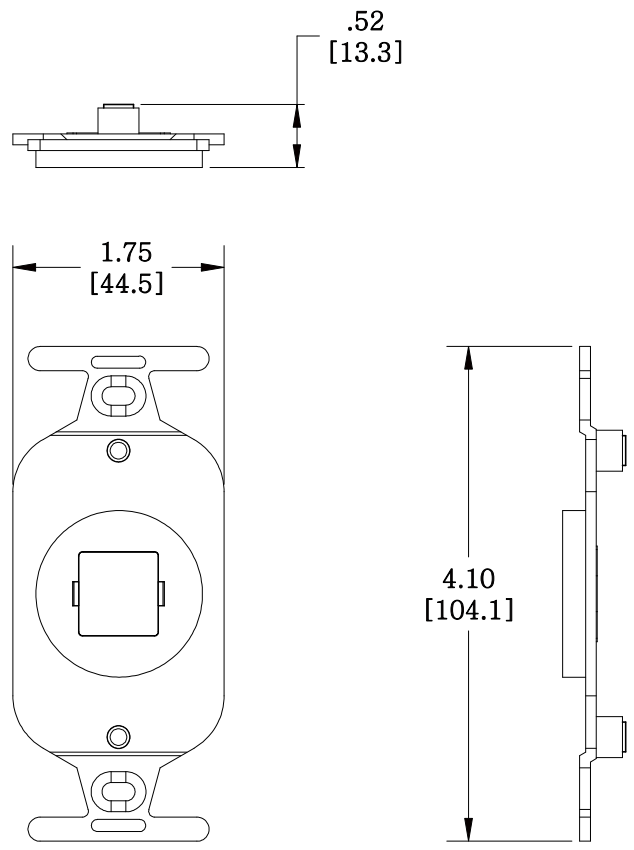


MATERIAL ID	DESCRIPTION
760181834	M105 FLUSH MOUNTED MODULAR MOUNTING FRAME, PROWHITE



- NOTES:**
- SEE COMMSCOPE CATALOG FOR PART NUMBER SUFFIXES TO INDICATE COLOR/PKG.
 - SEE COMMSCOPE CATALOG FOR COMPLETE LIST OF PARTS RELATED TO THE USE OF THIS PRODUCT.
 - DIMENSIONS ARE IN INCHES[MM].
 - PART INCLUDES:
 (1) FACEPLATE, FRAME
 (2) SCREW

M105FR1-266
COMMSCOPE, INC OF NORTH CAROLINA

REV	DATE	ECR	DESCRIPTION	APPROVED BY	DATE	DWG NO
1	9/02/13		INITIAL ISSUE	PL	DRAWN BY AW	
					9/02/2013	760181834