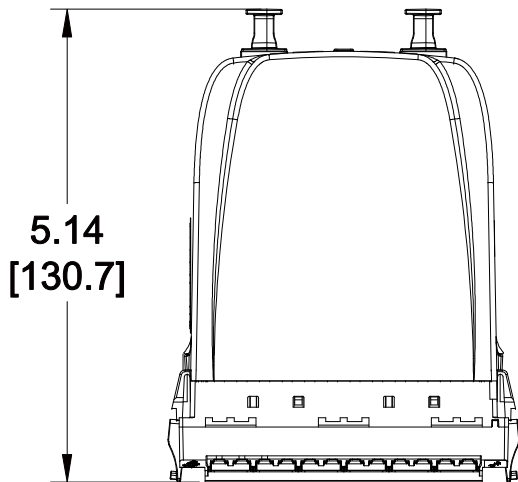
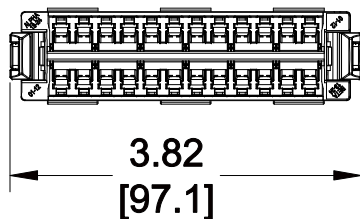


MATERIAL ID	DESCRIPTION
760206540	InstaPATCH® 360 TeraSPEED® STANDARD MODULE, 24 LC PORTS

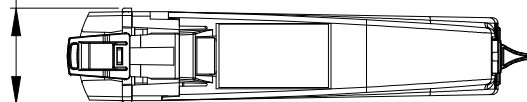


NOTES:

1. SEE SYSTIMAX CATALOG FOR PART NUMBER SUFFIXES TO INDICATE COLOR/PKG.
2. SEE SYSTIMAX CATALOG FOR COMPLETE LIST OF PARTS RELATED TO THE USE OF THIS PRODUCT.
3. DIMENSIONS ARE IN INCHES[MM].
4. PART INCLUDES:
(1) ASSEMBLY, 24LC, MODULE



1.04
[26.5]



360DMis-24LC-SM

COMMSCOPE, INC OF NORTH CAROLINA

SYSTIMAX® SOLUTIONS

1	06/03/15		INITIAL ISSUE	PT	DRAWN BY TZ	
REV	DATE	ECR	DESCRIPTION	APPROVED BY	DATE 06/03/2015	DWG NO 760206540