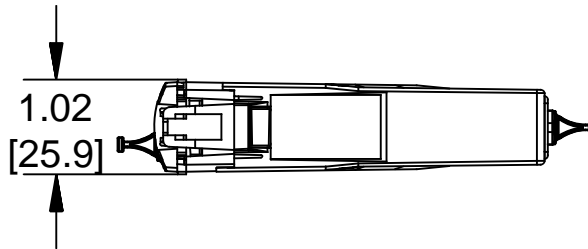
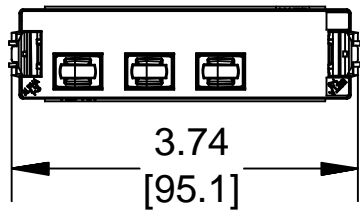
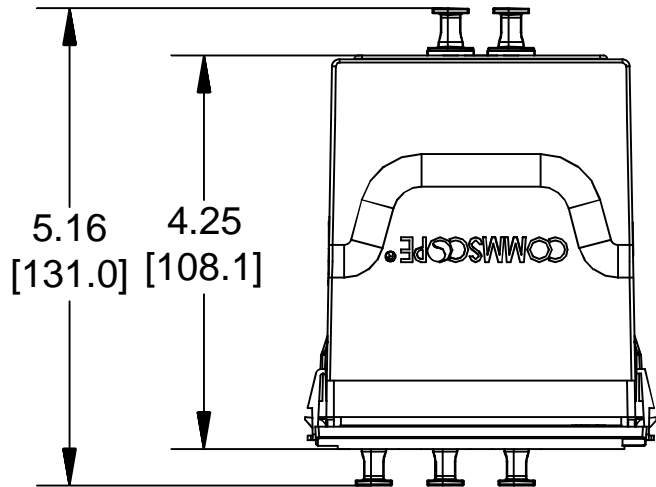


MATERIAL ID	DESCRIPTION
760220400	ASSEMBLY, MODULE, 360CM SINGLE MODE



NOTES:

1. SEE SYSTIMAX CATALOG FOR PART NUMBER SUFFIXES TO INDICATE COLOR/PKG.
2. SEE SYSTIMAX CATALOG FOR COMPLETE LIST OF PARTS RELATED TO THE USE OF THIS PRODUCT.
3. DIMENSIONS ARE IN INCHES[MM].
4. PART INCLUDES:
(1) MODULE ASSEMBLY

360CM12-2X3-TS

COMMSCOPE, INC OF NORTH CAROLINA

SYSTIMAX® SOLUTIONS

1	22-NOV-16		INITIAL ISSUE	CTC	DRAWN BY JW	
REV	DATE	ECR	DESCRIPTION	APPROVED BY	DATE 22-NOV-2016	DWG NO 760220400