

## FA-R2CT ALU Installation for HELIAX® FiberFeed® Solutions

Bulletin 7681513 Revision C Page 1 of 3

CommScope Infrastructure Academy offers installation training.



Use in place of bulletin provided with R2CT  
Failure to follow these installation steps may cause damage to the fiber.

**1**

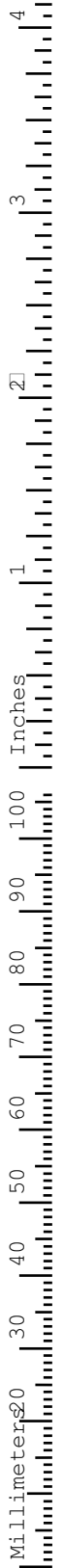
Carefully feed nut spiral and outer plug over DLC connector and slide onto jacketing. **Do not twist or bend the DLC connector or fiber. Excessive force or bending may break the fiber.**

**2**

Remove the dust caps from DLC connector and seat into the RRU. Listen for a distinct click. **Do not twist DLC connector or kink the fiber during installation.**

**3**

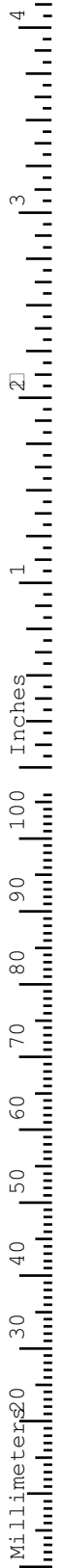
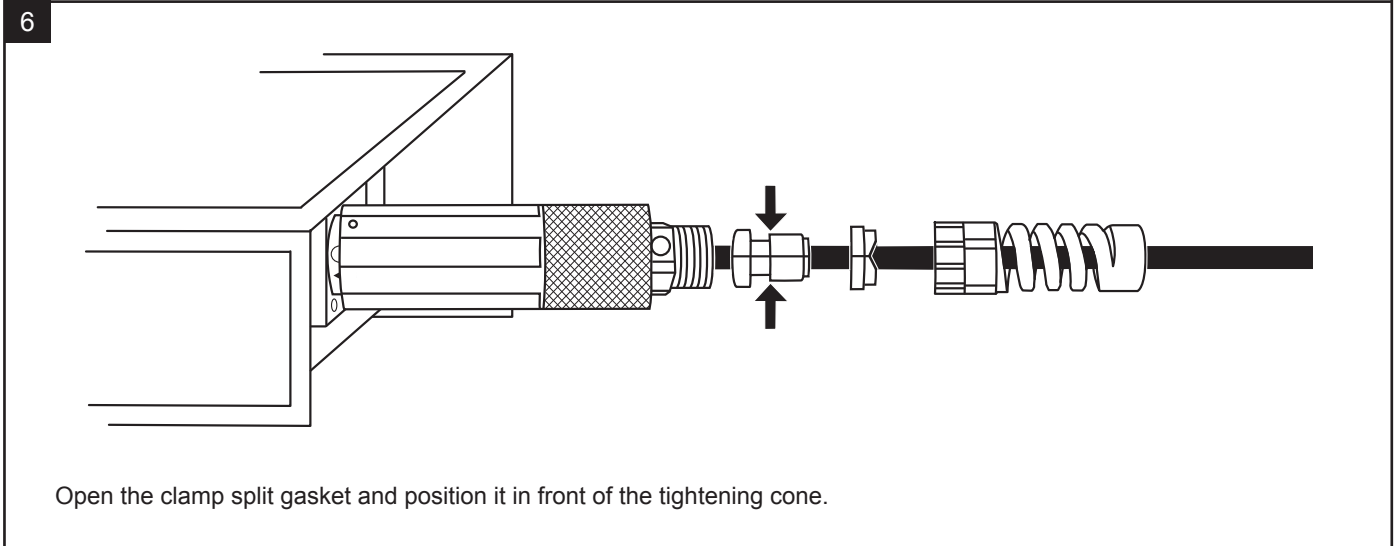
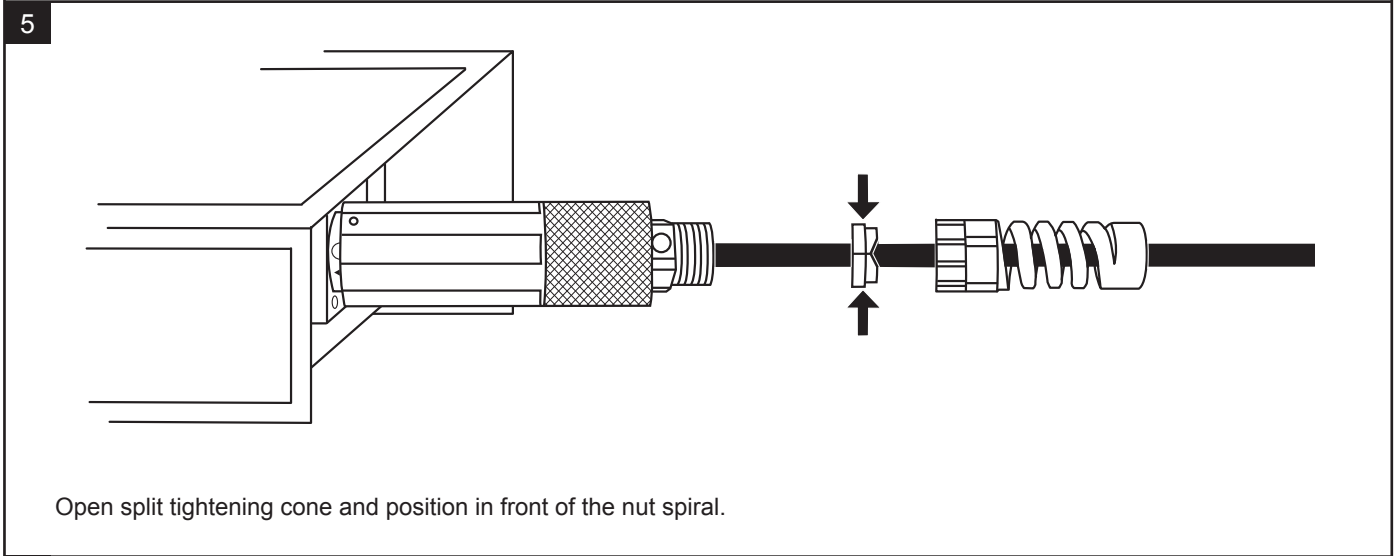
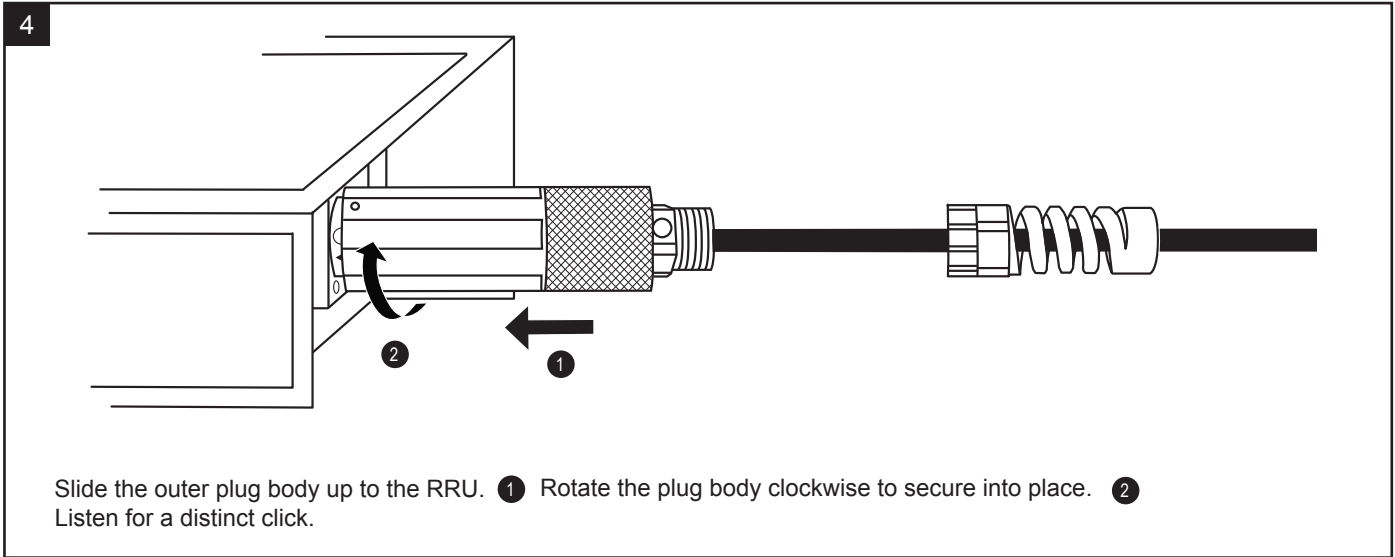
Slide the outer plug body over the jacketing. **1** Align the two marks on the plug body and the RRU. **2** Press forward and rotate the plug body clockwise to secure into place. **3** Listen for a distinct click.



**FA-R2CT ALU Installation**  
for HELIAX® FiberFeed® Solutions

Bulletin 7681513 Revision C Page 2 of 3

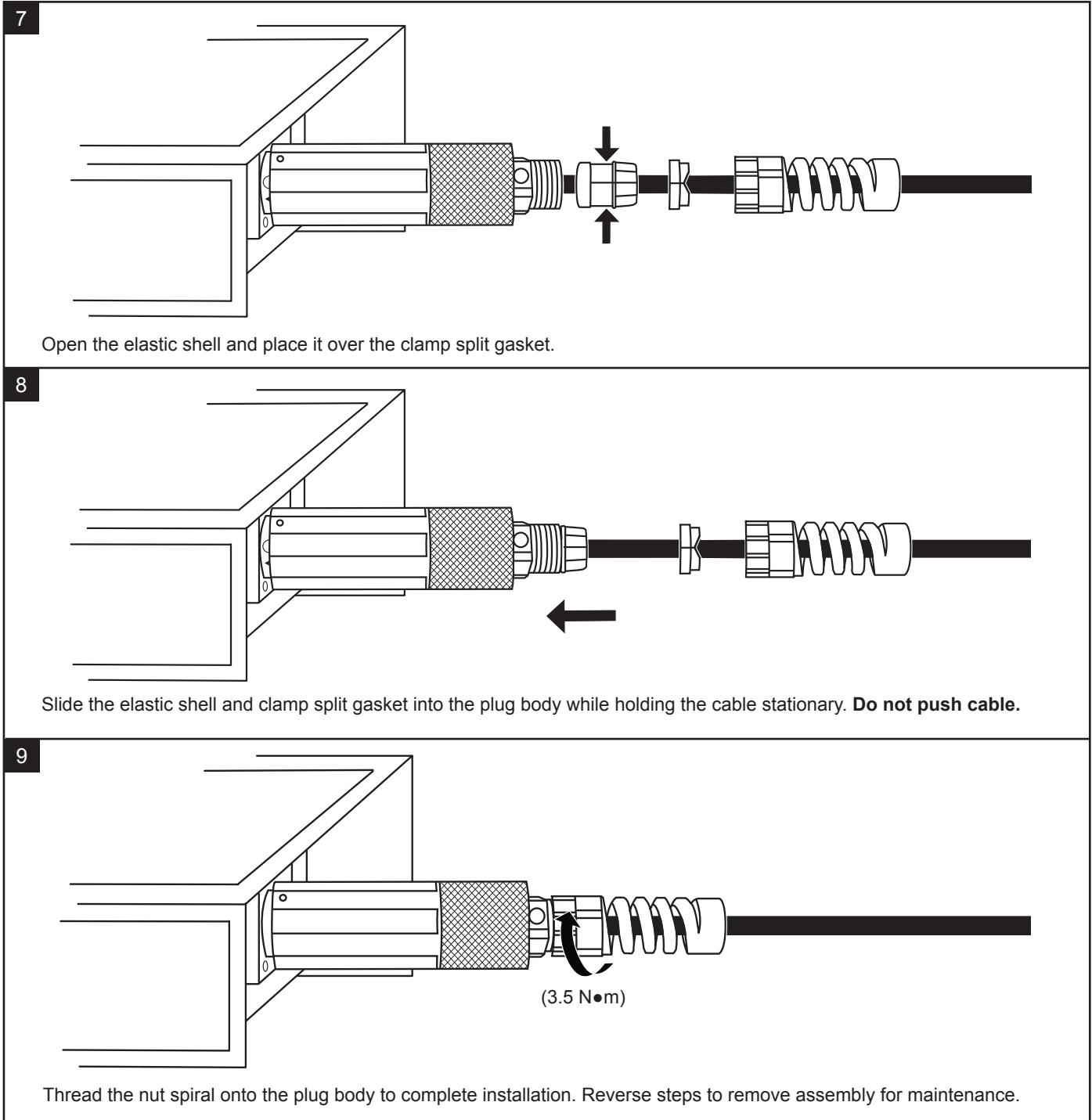
CommScope Infrastructure Academy offers installation training.



## FA-R2CT ALU Installation for HELIAX® FiberFeed® Solutions

Bulletin 7681513 Revision C Page 3 of 3

CommScope Infrastructure Academy offers installation training.



**CommScope**  
1100 CommScope Place SE P.O. Box 339, Hickory, NC 28603-0339  
(828) 324-2200 (800) 982-1708  
[www.commscope.com/andrew](http://www.commscope.com/andrew)

**Customer Service 24 hours**  
North America: +1-800-255-1479 (toll free)  
Any country: +1-779-435-6500  
email: [acicustomersupportcenter@commscope.com](mailto:acicustomersupportcenter@commscope.com)

Notice: CommScope disclaims any liability or responsibility for the results of improper or unsafe installation, inspection, maintenance, or removal practices.  
Aviso: CommScope no acepta ninguna obligación ni responsabilidad como resultado de prácticas incorrectas o peligrosas de instalación, inspección, mantenimiento o retiro.  
Avis : CommScope décline toute responsabilité pour les conséquences de procédures d'installation, d'inspection, d'entretien ou de retrait incorrectes ou dangereuses.  
Hinweis: CommScope lehnt jede Haftung oder Verantwortung für Schäden ab, die aufgrund unsachgemäßer Installation, Überprüfung, Wartung oder Demontage auftreten.  
Atenção: A CommScope abdica do direito de toda responsabilidade pelos resultados de práticas inadequadas e sem segurança de instalação, inspeção, manutenção ou remoção.  
Avvertenza: CommScope declina eventuali responsabilità derivanti dall'esecuzione di procedure di installazione, ispezione, manutenzione e smontaggio improprie o poco sicure.  
注意: CommScope 公司申明對於不恰當或不安全的安裝、檢驗、維修或拆卸操作所導致的後果不負責任 何義務和責任

