

860584465
 Rev B, December 2017
www.commscope.com

Distribution Module Cat 6 Wall Mount Panel

General

The **CommScope®** distribution module wall mount panel is a 12-port panel that exceeds Category 6 standards. The panels accommodate either EIA-T568A or EIA-T568B wiring applications. The panels include a metal mounting bracket and can be mounted on a flat wall surface or on the upright rail of a standard 19-inch (483mm) equipment rack.

Ordering information is listed below:

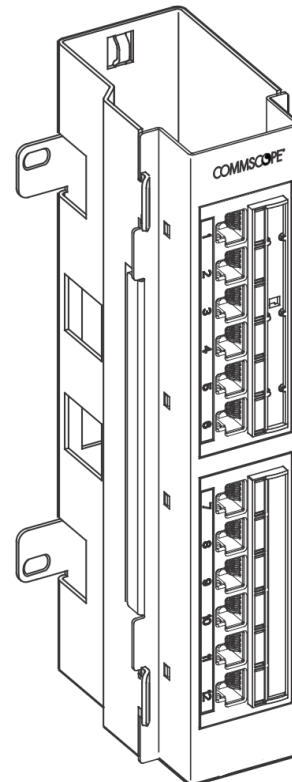
Material ID	Description
760183079	Uniprise Distribution Module Wall Mount Panel, Cat6, UTP, 12 port

How to Contact Us

- To find out more about **CommScope®** products, visit us on the web at www.commscope.com/
- For technical assistance:
 - Within the United States, contact your local account representative or technical support at 1-800-344-0223. Outside the United States, contact your local account representative or **PartnerPRO™** Network Partner.
 - Within the United States, report any missing/damaged parts or any other issues to **CommScope** Customer Claims at 1-866-539-2795 or email to claims@commscope.com. Outside the United States, contact your local account representative or **PartnerPRO** Network Partner.

Tools Required

- Phillips head screwdriver
- Cable jacket scoring tool
- D-914 punch tool with M110 blade
- Drill and 1/8" drill bit (for surface mounting)



**Distribution Module
 Wall Mount Panel with Bracket**

Specifications

Wire Termination

Wire Size:

- 22-24 AWG (0.64 – 0.51mm) Solid Copper
- 22-24 AWG (0.64 – 0.51mm) Seven-Stranded Copper

Insulation Size:

0.042 inch maximum DOD

Insulation Types:

Polyethylene, Polypropylene, and FEP

IDC Reterminations:

20 minimum

Modular Jack Mating Cycles:

750 minimum

Environmental Data

Temperature Range:

- 40°F (-40°C) to 158°F (70°C) (Storage)
- 14°F (-10°C) to 140°F (60°C) (Operational)

Humidity:

95% Noncondensing

Parts List

Verify parts from the parts list below.

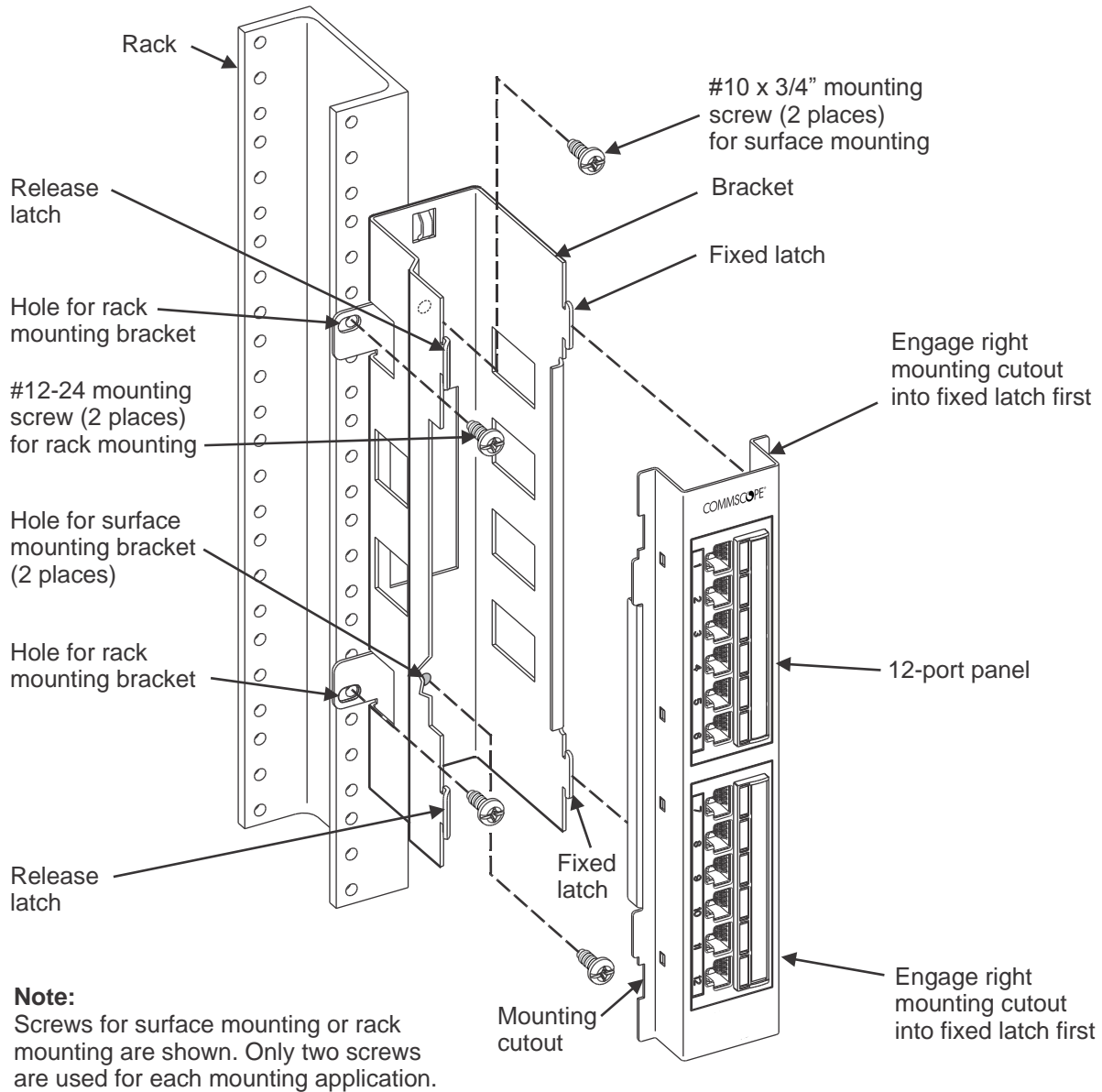
Quantity	Description
1	12-port panel with metal bracket
2	#10 x 3/4 inch mounting screws
2	#12-24 x 1/2 inch mounting screws
4	Cable tie
14	Termination managers
2	Rear label, T568A wiring
1	Front label card (4 labels per card)
1	Label cover card (4 label covers per card)
1	Instruction sheet

WARNING – Important Safety Instructions

When using this product, the following basic safety precautions should be followed to reduce the risk of fire, electric shock, and injury to persons:

1. Never install communications wiring in wet locations unless it is designed for wet locations.
2. Never install this product during a lightning storm. There is a remote risk of electric shock.
3. Never touch uninsulated communication wiring or terminals unless the communication circuit has been disconnected at the network interface.
4. **Caution:** All wiring that connects to this equipment must meet applicable local and national building codes and network wiring standards for communication cable.

Step 1 – Install Mounting Bracket



To Mount Bracket on a Flat Surface

Note: The two holes in the center of the bracket are used for mounting panel on a flat surface. Position metal bracket against the mounting surface in the desired position and mark the location of the two mounting holes.

1. Using a 1/8-inch drill bit, drill a pilot hole for the two mounting hole locations.
2. Reposition the bracket over the holes and using the two supplied #10 screws, secure the bracket to the mounting surface.

Note: For mounting on surfaces other than wood or sheet metal, obtain the appropriate mounting hardware locally.

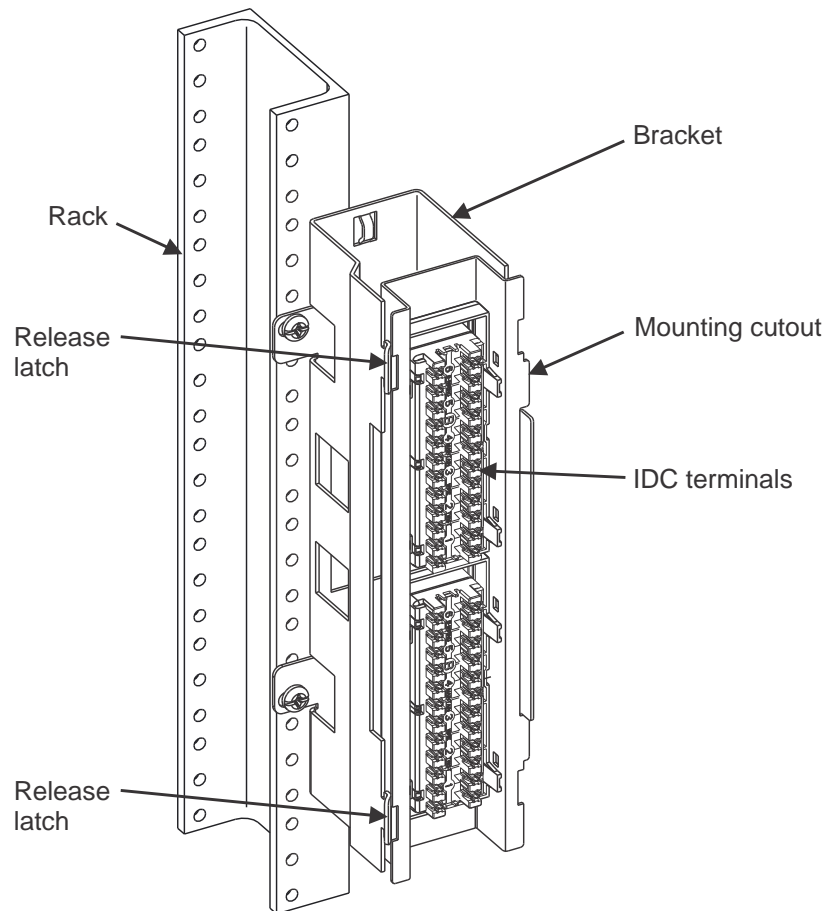
To Mount Bracket on a Rack

1. Position metal bracket on rack in desired position and align the mounting holes on bracket with the holes on rack as shown.

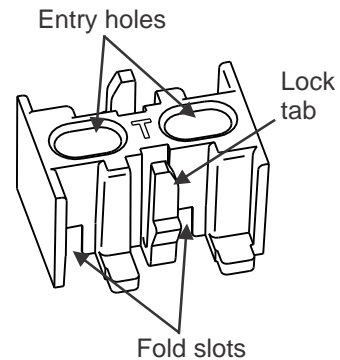
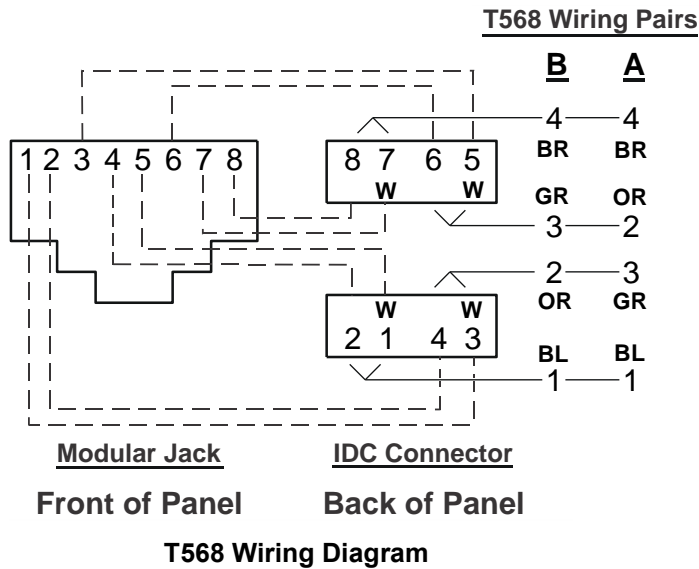
Note: The two holes located in the mounting tabs (left side) are used for mounting panel on a rack.

2. Secure bracket to rack using two supplied #12-24 screws.

Step 2 – Position 12-Port Panel on Bracket to Terminate Conductors on Rear

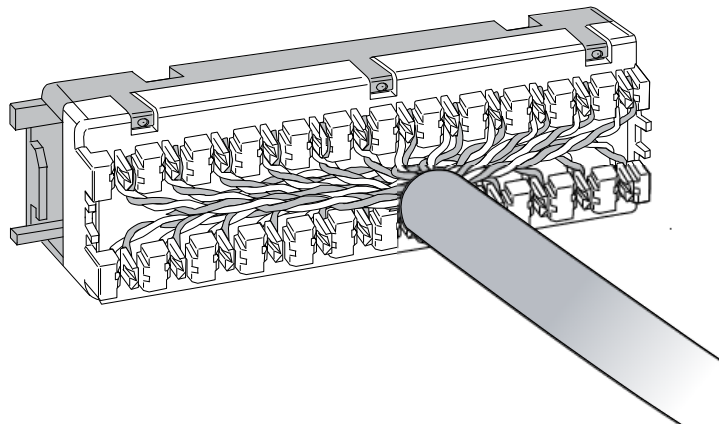


1. Reverse the panel on the bracket as shown above to expose IDC terminals. Engage the right mounting cutouts onto the fixed latches (shown in Step 1) on the bracket first, then push in on the panel to snap the left mounting cutouts onto the release latches.
2. After conductors are terminated, remove the panel from the bracket by pressing the release latches outward to free mounting cutout on panel, then pressing the fixed latches outward and lifting the panel off the bracket.

Step 3 – Terminate Conductors on Rear of Panel

Note: The module comes with a T568B wiring designation label installed. If T568A wiring is desired, first remove the "B" type label and then place the "A" type label. **Do not place the "A" type label on top of the "B" type label.**

1. Prepare cable for termination. Terminate conductors on the IDC terminals per the wiring diagram shown above and utilizing the provided termination manager.
2. See pages 8 and 9 for correct procedure for using the termination manager.
3. After termination, reverse the panel and install the panel on bracket with modular jacks exposed for patching (Step 4).

Termination of 25-Pair Cable on Panel

Note: If terminating 25-pair cables on the rear of a panel, do not use the termination managers.

1. Replace existing wiring labels on blocks with the provided 25-pair wiring labels prior to terminating the conductors. **Do not place the 25-pair labels on top of the 4-pair labels.**
2. Terminate conductors per wiring tables on the next page.
3. Position 25-pair cable in the center of the block and between the upper and lower contacts.
4. Prepare and place all of the conductors from the center of the block outward to each end, then use a D-914 single-pair impact tool to seat and cut the conductors.

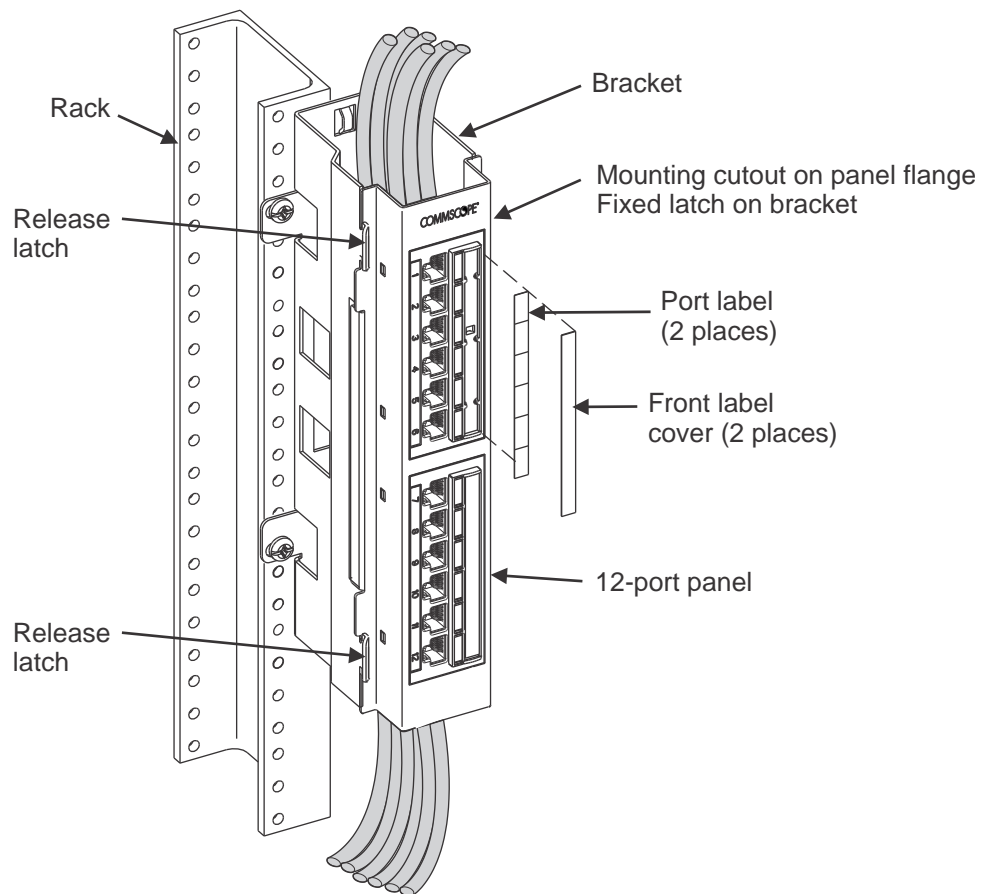
IDC No.	1	2	3	4	5	6
1	W/BL	W/GY	R/BR	BK/G	Y/O	V/BL
2	BL/W	GY/W	BR/R	G/BK	O/Y	BL/V
3	W/O	R/BL	R/GY	BK/BR	Y/G	V/O
4	O/W	BL/R	GY/R	BR/BK	G/Y	O/V
5	W/G	R/O	BK/BL	BK/GY	Y/BR	V/G
6	G/W	O/R	BL/BK	GY/BK	BR/Y	G/V
7	W/BR	R/G	BK/O	Y/BL	Y/GY	V/BR
8	BR/W	G/R	O/BK	BL/Y	GY/Y	BR/V

Note: Pair 25 is used for spare pair.

IDC No.	1	2	3	4	5	6
1	W/BL	W/GY	R/BR	BK/G	Y/O	V/BL
2	BL/W	GY/W	BR/R	G/BK	O/Y	BL/V
3	W/G	R/O	BK/BL	BK/GY	Y/BR	V/G
4	G/W	O/R	BL/BK	GY/BK	BR/Y	G/V
5	W/O	R/BL	R/GY	BK/BR	Y/G	V/O
6	O/W	BL/R	GY/R	BR/BK	G/Y	O/V
7	W/BR	R/G	BK/O	Y/BL	Y/GY	V/BR
8	BR/W	G/R	O/BK	BL/Y	GY/Y	BR/V

Note: Pair 25 is used for spare pair.

Step 4 – Position 12-Port Panel on Bracket for Patching



1. Position panel at an angle to align the right mounting cutouts with the fixed latches on the right side of the bracket. See figure in Step 1 for latch positions.
2. Engage the right cutouts into the latches first, then push in on the panel to snap the left cutouts onto the release latches as shown above.

Remove Panel from Bracket as Required

The panel may be removed from the bracket by pressing release latches outward and lifting panel off.

Step 5 – Insert Labels and Label Covers

1. Print the port designations on the white label cards provided. Slide labels and label covers into the label holders from either the top or bottom. Each label holder will accommodate labels up to 0.265 inches (6.7mm) high x 3.50 inches (89mm) wide.
2. Blank, voice, and data icons can be ordered separately in a wide variety of colors and placed into the pockets in the lower portion of the label holders.

Note: Product code M61K-XX (blank, voice, and data icons) to be ordered separately. XX denotes the color abbreviation.

Termination Manager Instructions

The termination managers provide pair positioning, control, and strain relief features to the rear termination area of the panel. See Figure 1. Instructions for using the termination manager are listed below.

Feed Pairs into Termination Manager

(Figure 2)

1. Trim jacket back at least 3 inches (76 mm) to expose twisted-pairs.
2. Without rearrangement out of the jacket, position pairs in-line per pair colors below:

T568B Wiring Application (Shown)
Blue, Brown, Orange, Green

T568A Wiring Application
Blue, Brown, Green, Orange

3. Insert held pairs through holes on top surface of termination manager, two pairs per hole as shown. (The TOP surface is identified with a "T", which can be oriented either right side up or upside down).
4. Continue to feed pairs through termination manager until resistance is encountered at the jacket. This will usually be about 1/4 inch (6 mm) from the jacket.

Fold Pairs Back into Slots (Figure 3)

5. Fold each pair over into adjoining slots on bottom end of termination manager. To ease item 8, it is recommended that conductor colors be viewed in the slots as listed below:

T568B Wiring Application (Shown)

BL/OR Pairs – Blue/Orange conductors on top

BR/GR Pairs – both White conductors on top

T568A Wiring Application

BL/GR Pairs – Blue/Green conductors on top

BR/OR Pairs – both White conductors on top

6. Ensure that pairs are in slots completely without being pinched over bottom end surface. **It may be necessary to add twist to align pairs with slots.**

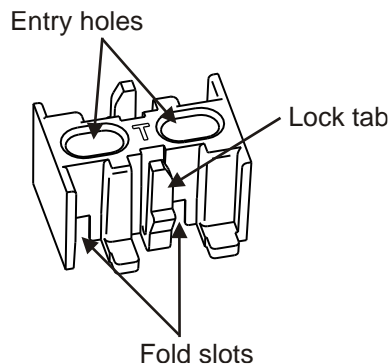


Figure 1. Termination Manager

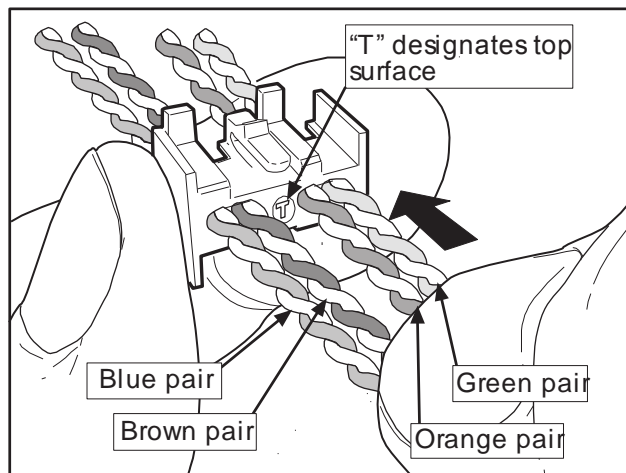


Figure 2. Feed Pairs into Termination Manager

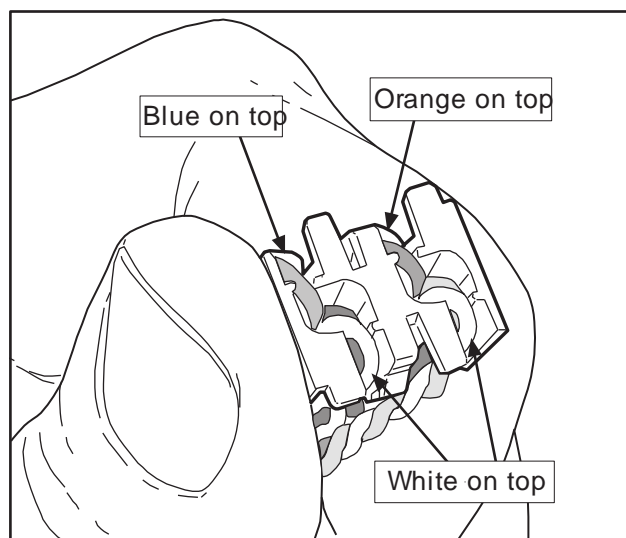


Figure 3. Fold Pairs Back into Slots

Snap Termination Manager onto Rear Housing (Figure 4)

7. Snap assembled termination manager onto rear housing with pair colors in proper position. Push on using the termination manager, not by pushing with the cable. (Ensure that both snaps on manager fully seat into rear housing).
8. After termination manager is snapped onto rear housing, untwist individual pairs fully and line up correct color conductor and white conductor with the label on the rear housing. (The white conductor is always on the right).

Seat Wires into IDC Terminal Slots (Figure 5)

9. Grasping each untwisted pair, push the conductors down into IDC terminal slots to seat them before punching down. Seat down into slots as far as possible. (It may be easier to use needle nose pliers to perform this task.)
10. Using the D-914 punch tool with M110 blade, punch down conductors making sure the tool is straight and that conductors fully engage in the IDC terminals. Stagger the punch-down tool up and down, so that it stays in alignment with the staggered terminal slots.

Recommendations to Aid Assembly

1. Remove up to 5 inches (127 mm) of cable jacket to aid in seating conductors into IDC slots.
2. The termination manager should be snapped onto the rear housing immediately after the pairs have been fed and folded over into the slots. All termination managers should be installed on the panel before proceeding to seat and punch down conductors.
3. Flex cables down for easier access, then seat and punch down the entire top row of the panel.
4. Flex cables up for easier access, then seat and punch down the entire bottom row.

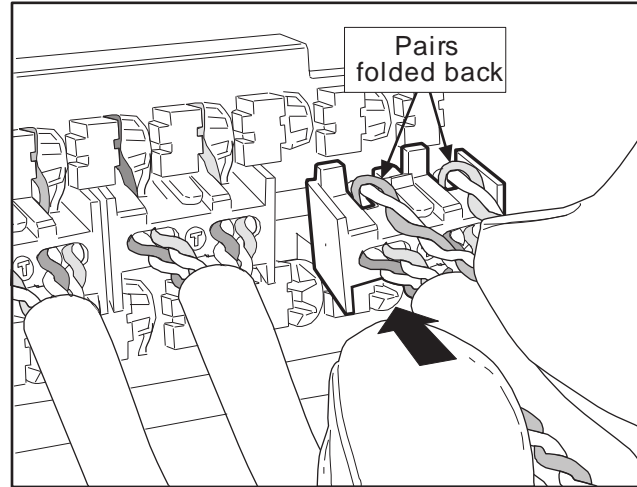


Figure 4. Snap Termination Manager onto Rear Housing

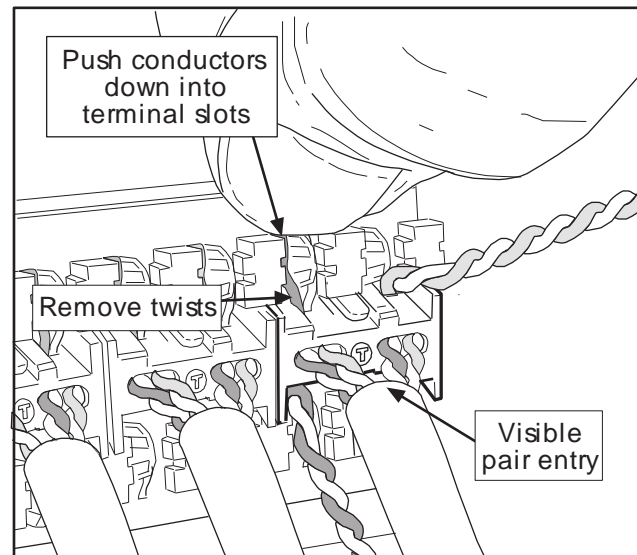


Figure 5. Seat Untwisted Pairs into IDC Terminal Slots