

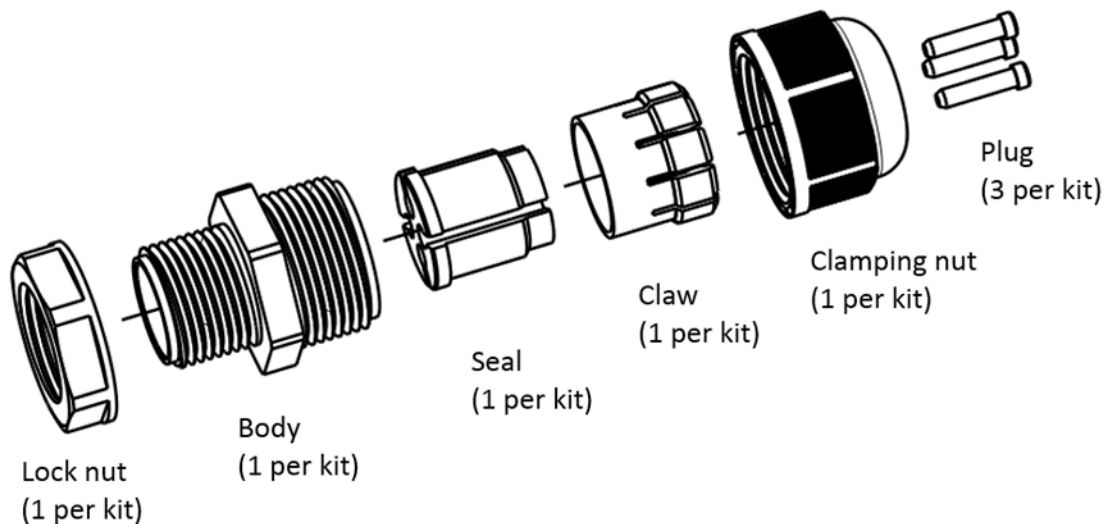
PATCH CORD FITTING KIT

General

The **COMMScope®** Gland Kit, Patch Cord Fitting Kit (**COMMScope®** material ID 760242678) provide more patching capacity for MPO patch cords on **COMMScope®** HD, UD and EHD panels. Each Gland kit can fix four(max) pcs MPO patch cords on it. Example MIDs are URXQPQJ8, URXMPMPGD and URX2P2PHF. The Gland Kit must assemble with the cable attachment molding on the fiber panel.

Parts List

Verify parts against the parts list below:



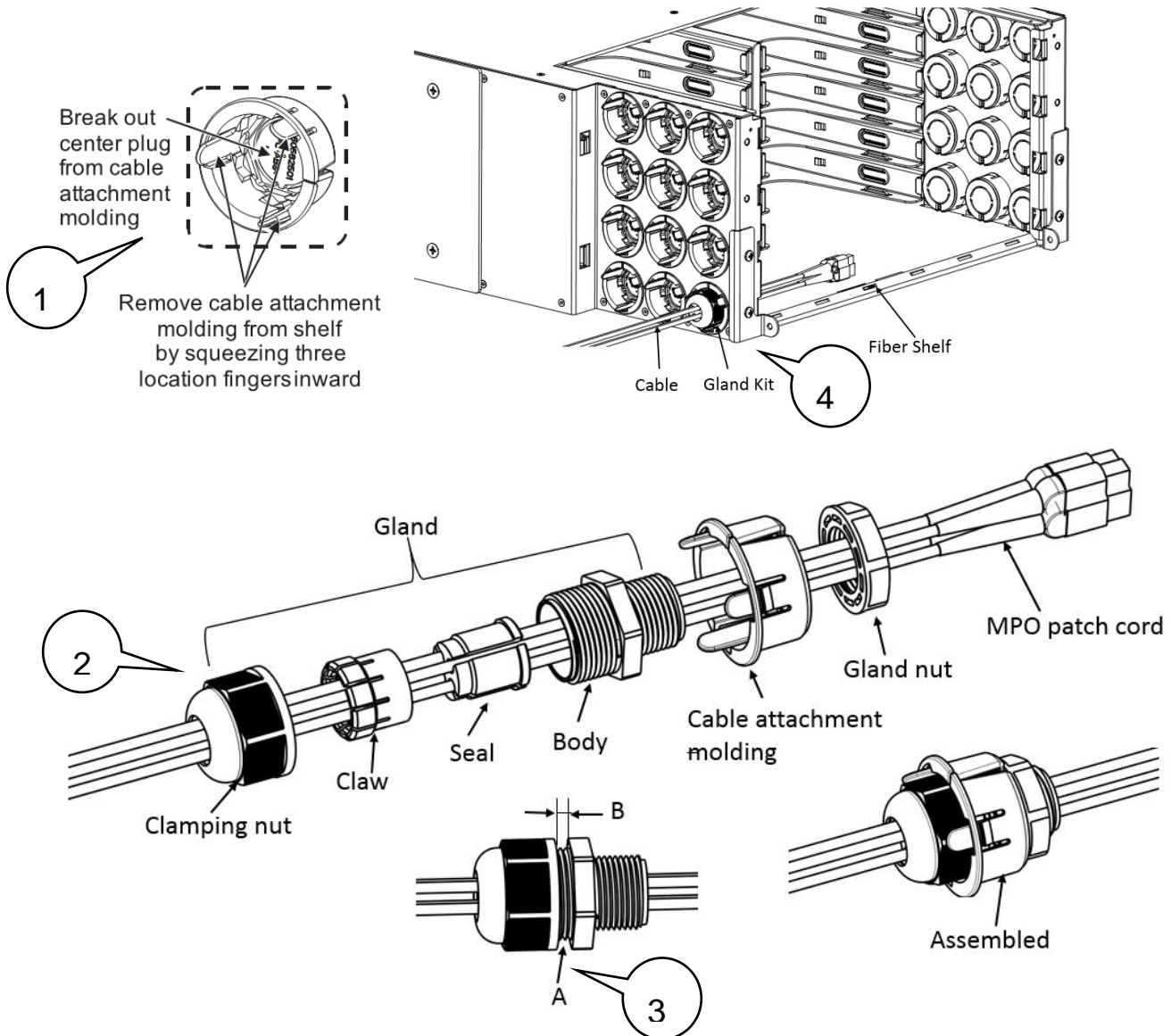
How to Contact Us

- To find out more about **CommScope®** products, visit us on the web at www.commscope.com/
- For technical assistance:
 - Within the United States, contact your local account representative or technical support at 1-800-344-0223. Outside the United States, contact your local account representative or **PartnerPRO™** Network Partner.
 - Within the United States, report any missing/damaged parts or any other issues



to **CommScope** Customer Claims at 1-866-539-2795 or email to claims@commscope.com. Outside the United States, contact your local account representative or **PartnerPRO** Network Partner.

Assembly



1. Remove cable attachment molding from shelf and break out center plug;
2. Disassemble M20 gland kit, put cables into seal grooves. Keep the plugs in the empty grooves.

3. Assembly the gland kit. Tighten Clamping nut, make sure the cable cannot be pulled out easily. There are two methods to inspect the cable fixed status, checking the remaining threads (A) or check remaining distance (B).

MPO Patch Cord MID	Cable OD.	"A" Remaining threads	"B" Remaining distance
URXQPQPJ8	3.0mm	1	1.8mm
URXMPMPGD	3.0mm	1	1.8mm
URX2P2PHF	3.6mm	2	3.0mm

4. Snap assembled cable attachment molding with M20 gland kit back into fiber shelf.