

SYSTIMAX® 360G2 1U and 2U Flip Label Kits Installation Instructions

General

The **SYSTIMAX® 360G2 1U and 2U** flip label kits greatly expand the areas available for port description and mapping by providing a large, double-sided surface for adhesive label placement.

The flip label provides designation areas on both sides. One side can be used to record fiber termination location and the other side to record circuit information. Also, a label should be placed on the shelf/panel to key it to the door/label, to eliminate improper replacement if the door is removed from the trough. If desired, a 1U flip label kit may be used with a 2U trough, but a 2U label kit cannot be used with a 1U trough.

Ordering information is listed below:

Material ID	Part No.	Description
760105676	360G2-1U-FLK	1U flip label kit
760105684	360G2-2U-FLK	2U flip label kit

Parts List

Verify parts against the parts list below:

Quantity	Description
1	Flip label (1U or 2U) holder
3	Label hangers
1	Instruction sheet

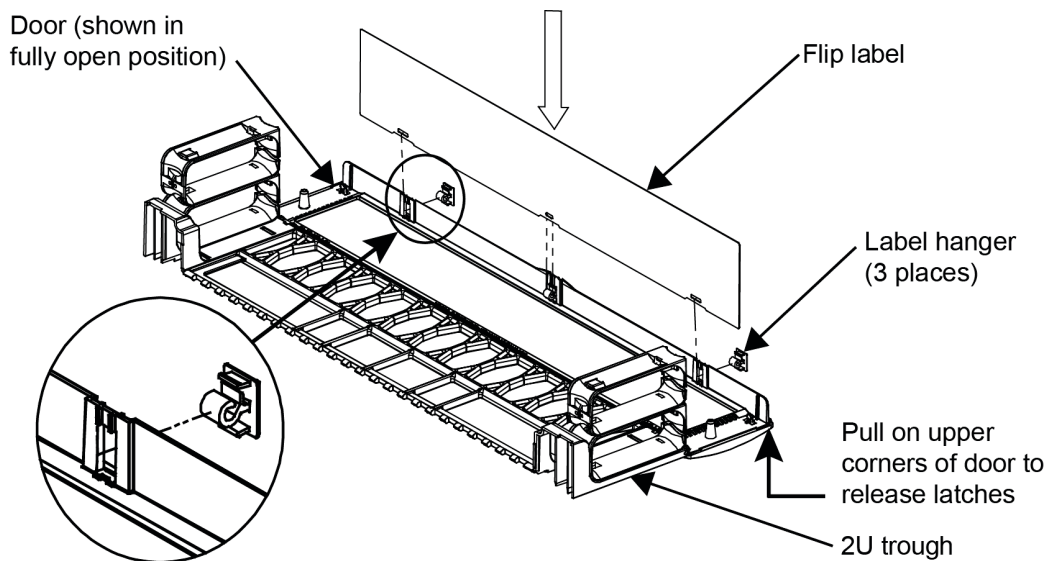


**SYSTIMAX® 360G2 1U and 2U
Flip Label Kits**

How to Contact Us

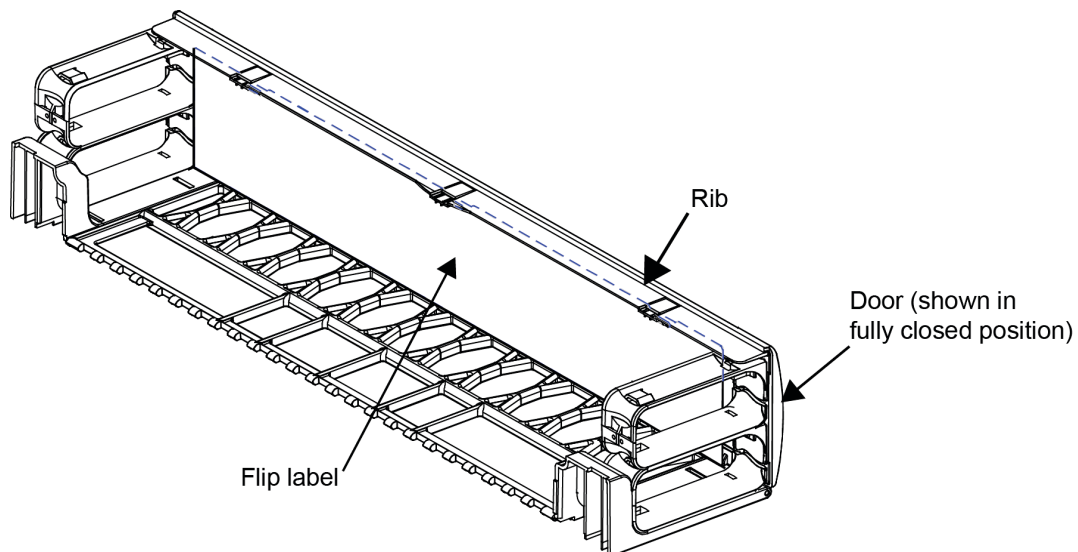
- To find out more about **CommScope®** products, visit us on the web at <http://www.commscope.com/>
- For technical assistance:
 - Within the United States, contact your local account representative or technical support at 1-800-344-0223. Outside the United States, contact your local account representative or **PartnerPRO™** Network Partner.
 - Within the United States, report any missing/damaged parts or any other issues to **CommScope** Customer Claims at 1-866-539-2795 or email to claims@commscope.com. Outside the United States, contact your local account representative or **PartnerPRO** Network Partner.

Step 1 – Install Label Kit



1. Pull on upper corners of front door to release latches, then tilt open front door on shelf.
2. Orient label hangers as shown above and push into openings provided in rib on shelf door until they are seated.
3. Push flip label into hooks on label hangers to secure it.
4. Rotate flip label freely to verify installation.
5. Rotate shelf door up to close and push in at top corners to secure door latches.

Step 2 – Apply Labels



1. Apply labeling to front side and rear side of flip label as required to record termination and circuit information.
2. Additional labels may be applied to door rib, if desired.
3. To print a designation label, go to <http://www.commscope.com/Resources/Labeling-Templates> and scroll down to the **360G2 Panels and Shelves** and select the appropriate label template.