



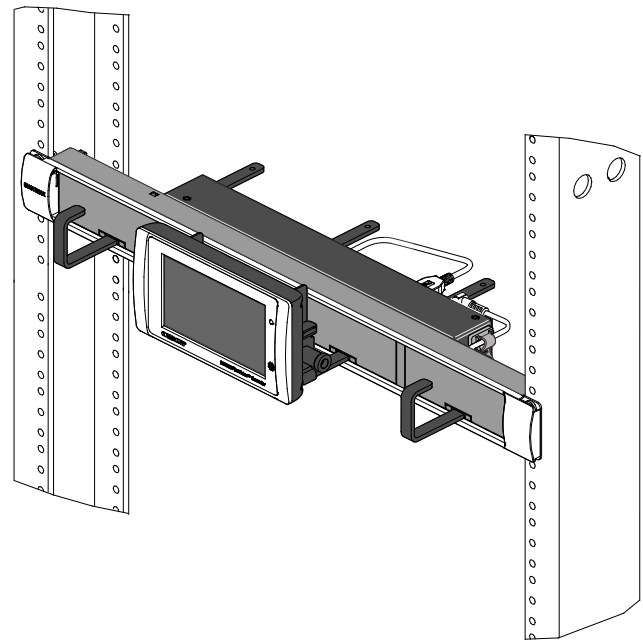
SYSTIMAX® imVision® Controller Installation Instructions

General

The **SYSTIMAX® imVision®** controller units communicate with each other using the controller LAN. Modular patch cords can be used to make the controller LAN connections. The panel bus allows the **imVision** controller and **iPatch®** panels to communicate. Also, the **imVision** controller supplies power to the **iPatch** panels through the panel bus assembly. A backup power supply is available and a connection for it is provided on the controller.

Ordering Information is listed below:

Material ID	Part No.	Description
760161380	360-iMV-CNTRLR	imVision controller
760174482	360-iMV-CNTRLR	imVision controller (Argentina version)



How to Contact Us

- To find out more about **CommScope®** products, visit us on the web at <http://www.commscope.com/>
- For technical assistance:
 - Within the United States, contact your local account representative or technical support at 1-800-344-0223. Outside the United States, contact your local account representative or Authorized Business Partner.
 - Within the United States, report any missing/damaged parts or any other issues to CommScope Customer Claims at 1-866-539-2795. Outside the United States, contact your local account representative or Authorized Business Partner.

Tools Required

- Phillips head screwdriver #2

Specifications

Microprocessor:

32-bit, 375 MHz ARM9 Processor

Power:

12 VDC at 18 W (Network Manager + Controller+ Panels)

Programming:

Downloadable software from host software

Program data retention without power:

Minimum 10 years

Connections:

Up to 45 1U 24-port copper panels or fiber shelves
Maximum 50 **imVision** controllers per controller LAN

Recommended Mounting Height:

Approximately 65 inches (1.7m) above the floor, measured from the top edge of the controller (the 34th 1U slot up from the bottom of a rack)

Operational Environment:

Temperature range: 32°F to 122°F (0°C to 50°C)

Ethernet Interface:

IEEE 802.3 10BASE-T
IEEE 802.3u 100BASE-TX

Speed:

10 MB/sec or 100 MB/sec (half duplex or full duplex)

Status indicators:

Green LEDs for ethernet link/activity
Yellow LEDs for IN/OUT port mode - ON (Controller), OFF (Network or Unused)

Parts List

Verify parts against the parts list below:

Quantity	Description
1	Controller assembly
1	Panel bus assembly
4	Mounting screws with lock washers
1	Patch cord CPC3312-03F007, 7 foot (2.1m)
1	Power supply
1	Installation instruction sheet



CAUTION Read and understand all instructions.

- When installing, operating, or maintaining **SYSTIMAX** equipment, basic safety precautions should always be followed to reduce the risk of fire, electric shock, and injury to persons, including the following:
- Follow all warnings and instructions marked on this product.
- This product should be operated using only the power supply provided by **CommScope** with the product. Consideration should be given to the connection of the equipment to the supply circuit and the effect that overloading of the circuits might have on over current protection and supply wiring. Appropriate consideration of equipment nameplate ratings should be used when addressing this concern.
- Never install this product in wet locations or during lightning storms. There is a remote risk of electric shock.
- Do not place this product on an unstable cart, stand, or table. The product may fall, causing serious damage to the product.
- When installing **SYSTIMAX** equipment not described in this guide, follow the instructions provided with that equipment. Care should be taken not to compromise the stability of the rack by installation of equipment.
- Except where indicated, never push objects of any kind into this product through slots as they may touch dangerous voltage points or short out parts that could result in a risk of fire or electrical shock. Never spill liquids of any kind on the product.
- To reduce the risk of an electrical shock, do not disassemble this product. Service should be performed by trained personnel only. Opening or removing covers and/or circuit boards may expose you to dangerous voltages or other risks. Incorrect reassembly can cause electrical shock when the unit is subsequently used.

- If this product is installed in a closed or multi-unit rack assembly, the operating ambient temperature of the rack environment may be greater than the room ambient temperature. Therefore, consideration should be given to installing the equipment in an environment compatible with the product’s maximum ambient temperature (104°F or 50°C)
- Installation of the equipment in a rack should be such that the amount of airflow required for safe operation of the equipment is not compromised.

Note: All wiring that connects to the **imVision** or **iPatch** equipment must meet applicable local and national building codes and network wiring standards for communication cable.



Important: Limits for iPatch panel connections to panel bus

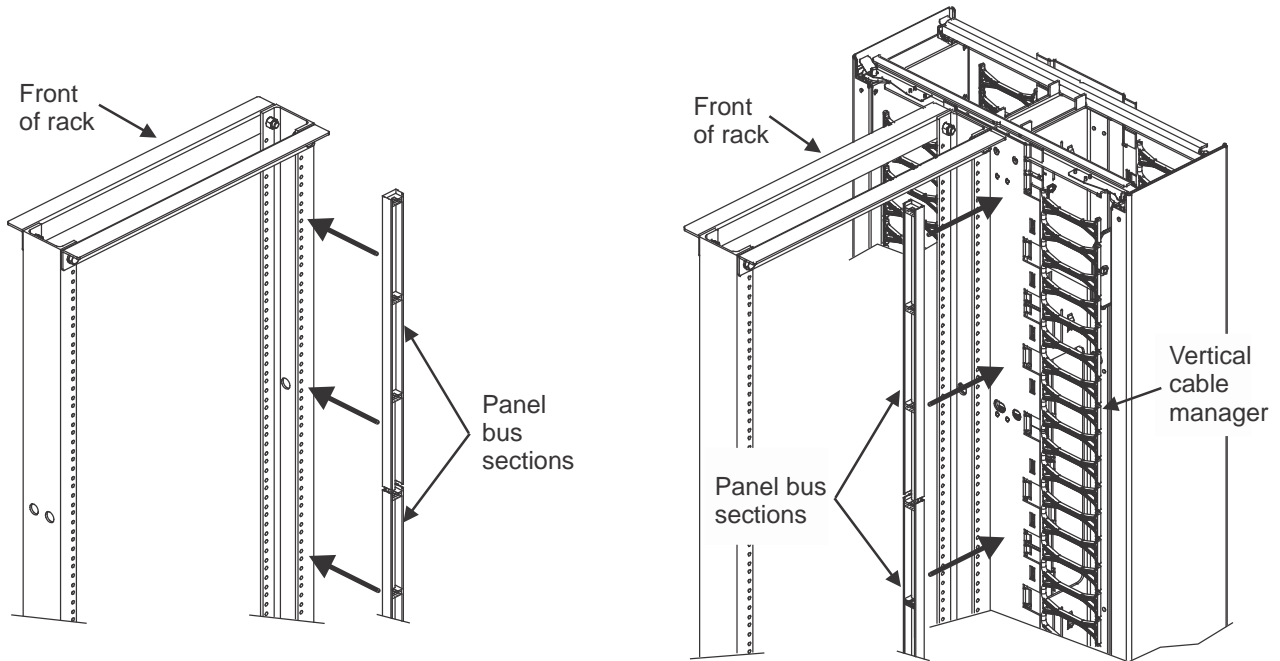
- Limit the chain of **iPatch** panels connected to each cable bus port to a maximum of five (5) panels (including controller). Start a new chain of panels with every 6th panel in the rack system.

Separately Orderable Items

A backup (redundant) power supply is available for the controller. Ordering information is listed below:

Material ID	Part No.	Description
760031716	iP-POWER-SUPPLY	Power supply, backup
760174474	iP-POWER-SUPPLY	Power supply, backup (Argentina version)

Step 1 – Mount Panel Bus Assembly



Panel Bus Mounting on Rear Flange of Rack

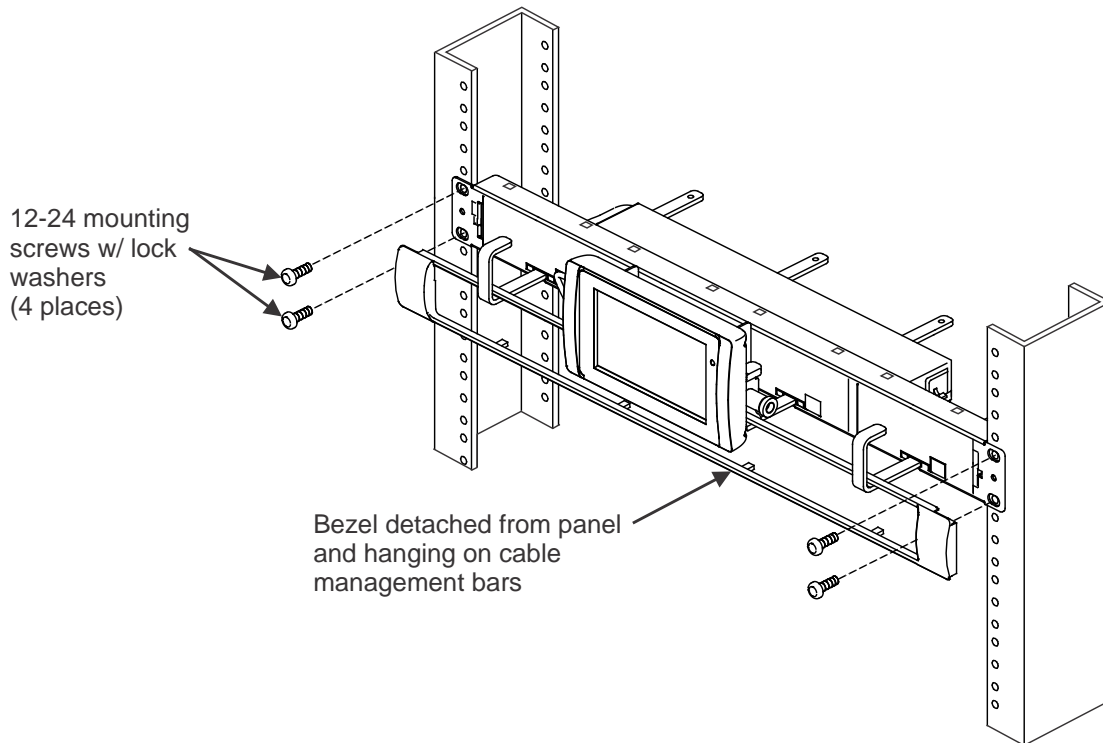
Panel Bus Mounting on Side of Vertical Cable Manager

Note: It is recommended the panel bus assembly be mounted on either the outside of the rear flange on the equipment rack or, if panels/shelves will be used that may block access to it, on the side of the vertical cable manager next to the rack.

1. Check the selected installation surface to be sure it is free of protrusions, such as threaded inserts, nuts, and bolts. Ensure that it is dry and clean of dust or other contaminants that may reduce adhesion.

2. Unfold the panel bus assembly, which is shipped folded in sections, each approximately 19 inches (483mm) long.
3. Orient the panel bus assembly so the section with the connection point closest to the end is at the top of the rack.
4. One section at a time, remove the adhesive backing and press the panel bus assembly firmly against the installation surface.

Step 2 – Install Controller on Rack



Note: Controller is pre-assembled with cable management bars in holes closest to the front. This is the standard position for use with copper panels. Test fit the controller for interference with panels above and below and adjust cable management bars as needed to minimize interference. Set screws holding bars are accessed from the bottom of the panel and must be completely removed to slide bars out or in.

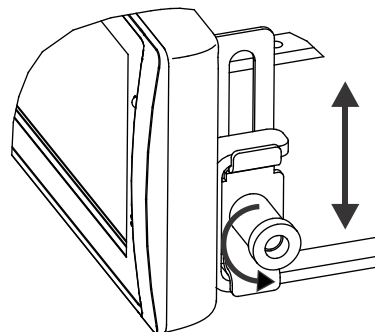
1. Remove bezel from front of panel by releasing retaining tabs on top and bottom of bezel. Leave bezel hanging on cable management bars as shown above.
2. Using the four provided screws with lock washers, install controller panel on rack. Slide bezel from side to side to gain access to screw positions.

Note: It is recommended to use the 34th 1U slot up from the bottom of the rack so that the top of the unit is about 65 inches (1.7m) above the floor.

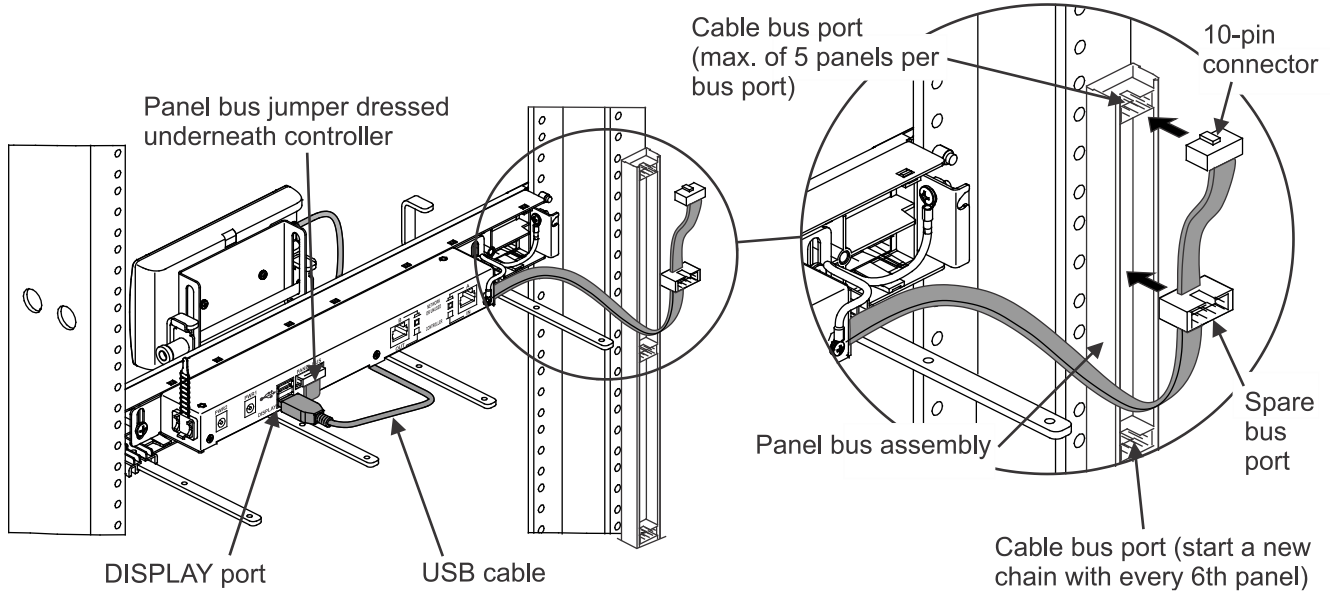
3. Reinstall bezel on front of panel.

Adjustment of Display Unit

Note: The height of display unit can be adjusted by loosening retainer pin fastener and sliding the display unit up or down. Re-tighten fastener to secure display position.

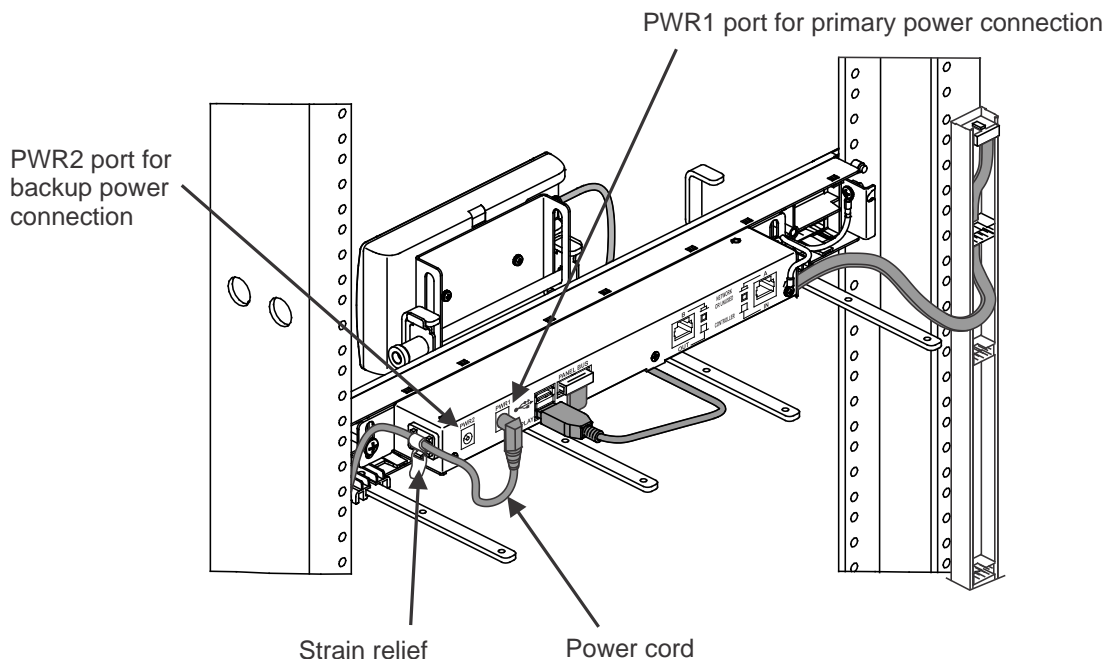


Step 3 – Connect Panel Bus Jumper and USB Cable



1. Unfold pre-connected panel bus jumper from under controller and insert female 10-pin connector into the nearest cable bus port on panel bus assembly.
2. Install spare port built into jumper cordage into panel bus frame by turning it at an angle, inserting into frame, and turning it back perpendicular to frame.
3. Ensure panel bus jumper is inserted in the two adhesive clips provided on bottom of controller.
4. Unfold pre-connected USB cable from under controller and plug connector into DISPLAY port on rear of controller.

Step 4 – Connect Power Supply



1. Connect the provided power cord into PWR1 port on the rear of the controller as shown above and loop cord into the provided strain relief on the side of controller.
2. Select and install appropriate adapter into plug base unit, then plug unit into an approved power outlet.

Note: A connection is provided on the controller to connect a redundant or backup power supply. If used, connect to PWR2 port.

Step 5 – Power Up Controller

1. Please go to the **CommScope** eCatalog to download the **SYSTIMAX imVision System Manager 7.0 User Guide** (860533116) and to access the **imVision Open Source Catalog**.
2. Power up controller and configure settings and panels per the user guide.

Step 6 – Set RJ45 Mode Switch Buttons on Rear of Controller(s)

