



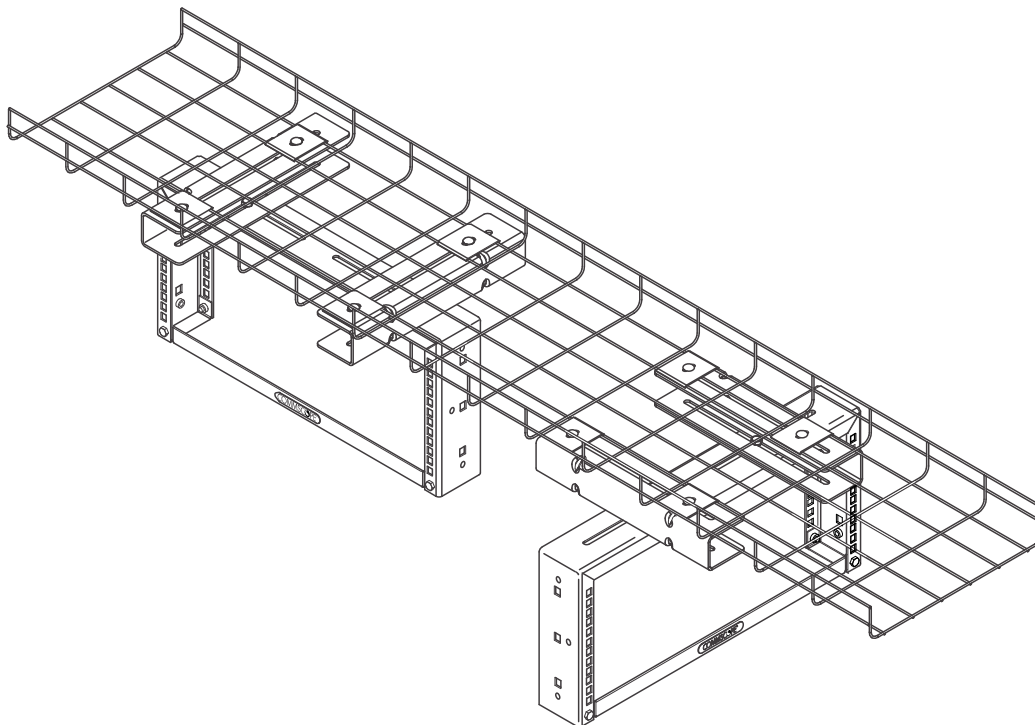
## Overhead Mini Rack Mounting Kit Installation on a Wire Basket Instructions

### General

The overhead mini rack mounting kit is used to mount the overhead mini rack to a wire basket-type cable runway. The mounting kit hardware can be installed so that the overhead mini rack is in either a parallel or perpendicular orientation with the cable runway. The overhead mini rack is not included and must be ordered separately.

Ordering information is listed below:

Material ID	Part Number	Description
760165282	OVRHDRACKBSKIT	Overhead mini rack to wire basket mounting kit



**Two Overhead Mini Rack Mounting Kits on a Wire Basket Cable Runway**

## How to Contact Us

- To find out more about **CommScope**<sup>®</sup> products, visit us on the web at <http://www.commscope.com/>
- For technical assistance:
  - Within the United States, contact your local account representative or technical support at 1-800-344-0223. Outside the United States, contact your local account representative or Authorized Business Partner.
  - Within the United States, report any missing/damaged parts or any other issues to **CommScope** Customer Claims at 1-866-539-2795. Outside the United States, contact your local account representative or Authorized Business Partner.

## Tools Required

- Driver with 7/16" socket
- 7/16" open end wrench or adjustable wrench



### WARNING

**Legal Disclaimer:** It is highly recommended that installation of this product be performed by a qualified and experienced installer. Improper installation of this product could result in damage to the product, other equipment, or personal injury. **CommScope** cannot be held responsible for damage to equipment or personal injury resulting from improper fastening or misuse of information presented in this document. **Equipment must be wired per applicable sections of the National Electrical Code (NEC). If grounding is required, appropriate grounding hardware approved by the NEC must be used.**

## Parts List

Verify parts against the parts list below:

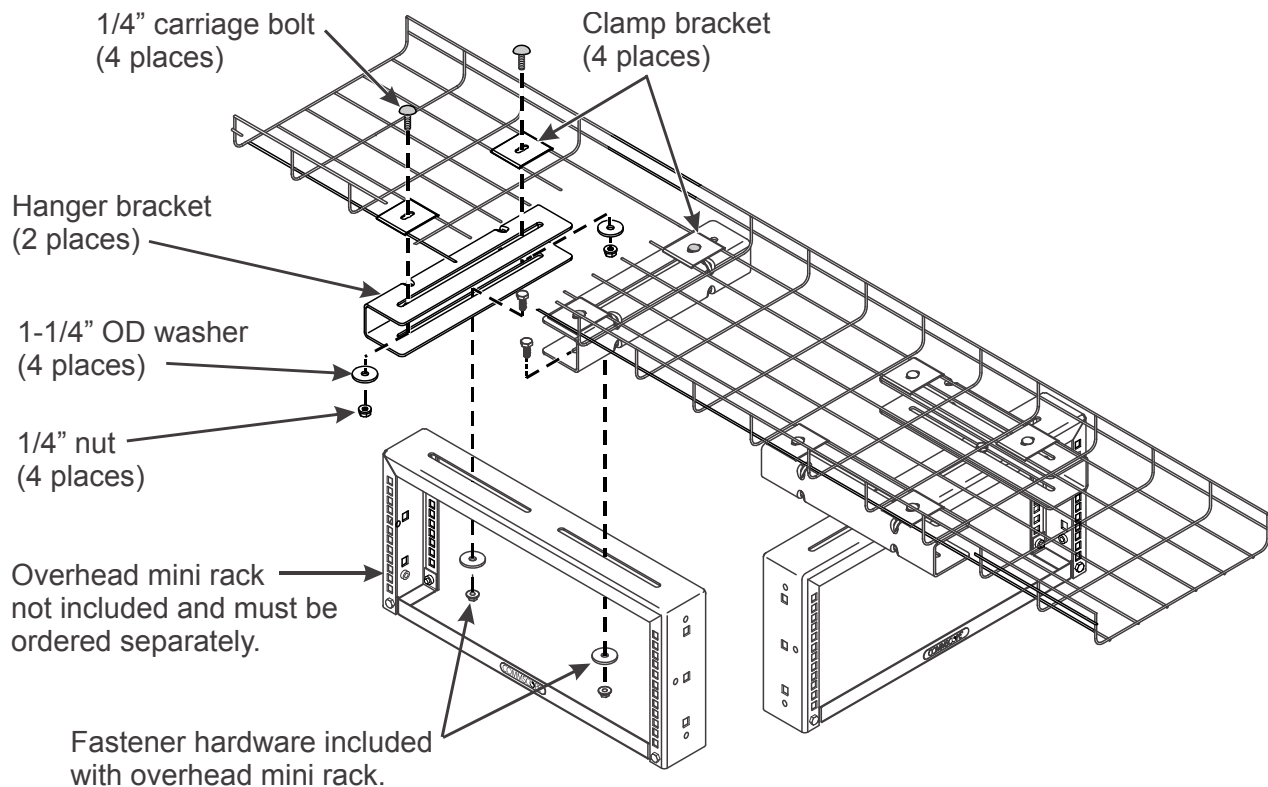
Quantity	Description
4	Clamp brackets
2	Hanger brackets
4	1/4" carriage bolts
4	1/4" hex nuts
4	1-1/4" OD flat washers

## Separately Orderable Overhead Mini Racks

Overhead mini racks for use with this mounting kit are listed below:

Material ID	Part Number	Description
760157800	OVRHDRACK	Overhead mini rack kit, 4U
760158592	OVRHDRACKVCM	Overhead mini rack kit with VCM, 4U
760169581	OVRHDRACK6U	Overhead mini rack kit, 6U
760169599	OVRHDRACKVCM6U	Overhead mini rack kit with VCM, 6U

## Step 1 – Install Overhead Mini Rack Mounting Kit to Wire Basket



1. Place clamp brackets across two adjacent wires on the wire basket. Flanges will hold them in place until the hanger bracket hardware secures each clamp.
2. Install hanger brackets to clamp brackets using the provided 1/4" carriage bolts, 1-1/4" flat washers, and hex nuts, as shown.

**Note:** The mounting kit with separately ordered mini rack shown on the right is fully installed. Ordering information for the overhead mini racks is shown on page 2.

## Step 2 –Install Overhead Mini Rack to Hanger Brackets

1. Using mounting hardware provided with overhead mini rack, secure the mini rack to this mounting kit per instructions provided in the Overhead Mini Rack instruction sheet 860520212. The included ladder clamp brackets and rack support brackets are not used when installing on a wire basket.