

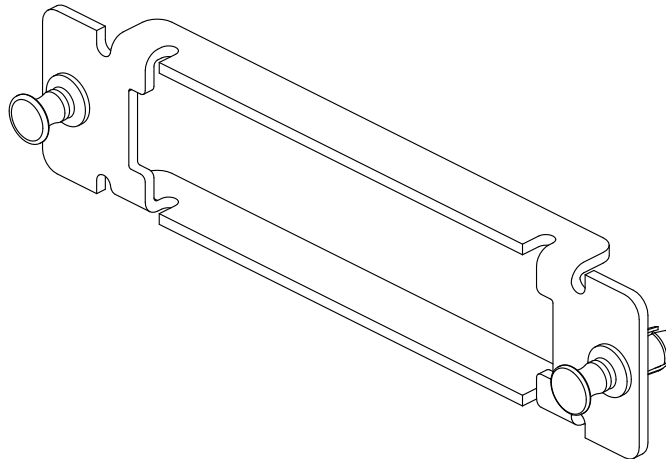
1000 to 360 Conversion Adapter Bracket

General

The **SYSTIMAX®** 1000 to 360 conversion adapter bracket will allow one **InstaPATCH®** 360 module, 360 distribution module, or 360G2 cartridge utilizing latch retainers to be installed in a fiber shelf or panel that utilizes 1000 size openings and captive rivet retainers.

Ordering information is listed below:

Material ID	Part No.	Description
760198325	1000-360 ADPT-BRKT-KIT	1000 to 360 conversion adapter bracket

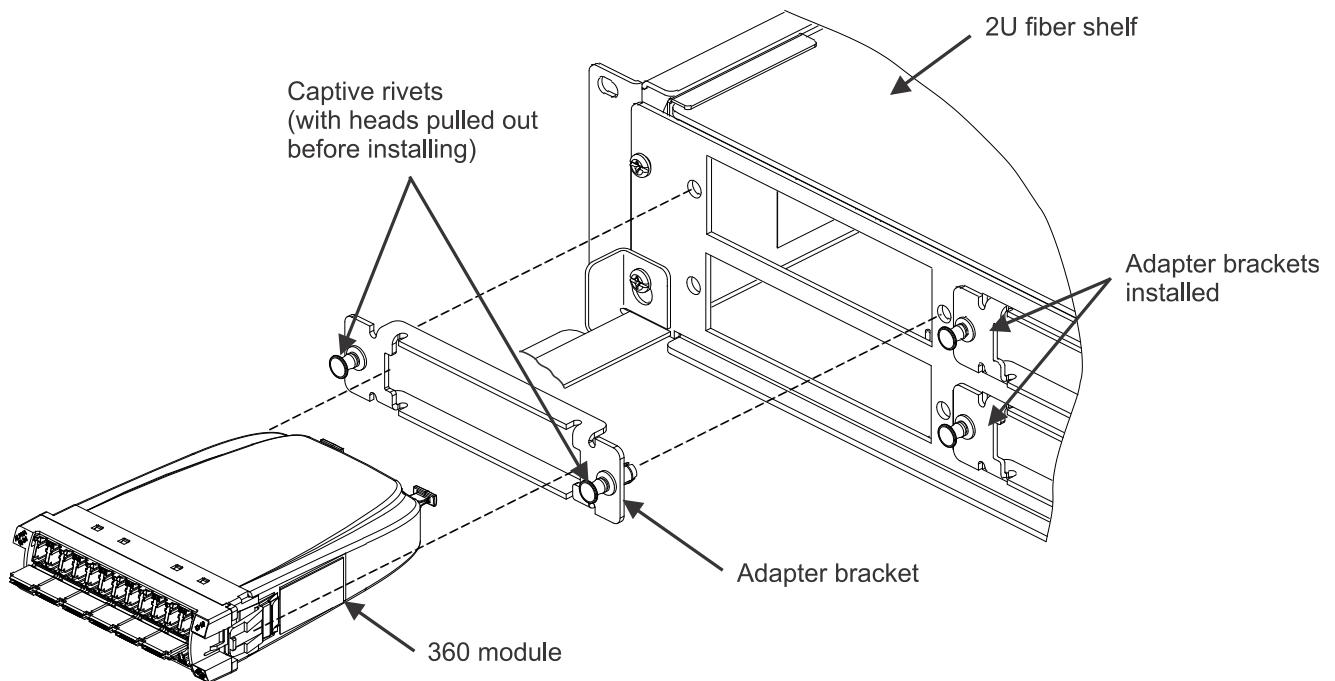


SYSTIMAX 1000 to 360 Conversion Adapter Bracket

How to Contact Us

- To find out more about **CommScope®** products, visit us on the web at <http://www.commscope.com/>
- For technical assistance:
 - Within the United States, contact your local account representative or technical support at 1-800-344-0223. Outside the United States, contact your local account representative or **PartnerPRO™** Network Partner.
 - Within the United States, report any missing/damaged parts or any other issues to **CommScope** Customer Claims at 1-866-539-2795 or email to claims@commscope.com. Outside the United States, contact your local account representative or **PartnerPRO** Network Partner.

Install Adapter Brackets



1. Pull out on heads of captive rivets to release them and insert adapter bracket into opening on front of shelf. Push in on heads of rivets to secure bracket in place.
2. Insert 360 module into adapter bracket from the front until an audible click is heard indicating latches are seated in bracket.
3. Repeat for all other shelf openings.

Note: The 2U shelf is shown and adapter brackets install in a 1U shelf the same. Adapter brackets are installed vertically in the 4U shelf.