

Patch Panel Termination Manager Instructions

General

The termination managers (760199760) provide pair positioning, control, and strain relief features to the rear termination area of the panel. See Figure 1. Instructions for using the termination manager are listed below.

Feed Pairs into Termination Manager (Figure 2)

1. Trim jacket back at least 3 inches (76mm) to expose twisted pairs.
2. Without crossing over or rearranging pairs out of the jacket, position pairs in-line per pair colors below:

T568B Wiring Application (Shown)

Blue, Brown, Orange, Green

T568A Wiring Application

Blue, Brown, Green, Orange

3. Insert pairs through 4 holes on top surface of termination manager, one pair per hole, as shown.
4. Continue to feed pairs through termination manager until resistance is encountered at the jacket. This will usually be about 1/4 inch (6mm) from the jacket.

Fold Pairs into Slots (Figure 3)

5. Fold each pair over into adjoining slots on bottom end of termination manager. Conductor colors must be arranged in the slots as listed below:

T568B Wiring Application (Shown)

BL/OR Pairs – Blue/Orange conductors on top

BR/GR Pairs – both White conductors on top

T568A Wiring Application

BL/GR Pairs – Blue/Green conductors on top

BR/OR Pairs – both White conductors on top

Important: Add twist as needed to align pairs with slots. Never remove twist for any pair. Do not allow pairs to untwist inside termination manager or inside cable jacket.

6. Ensure that both conductors of each pair are in slots completely without being pinched over bottom end surface.

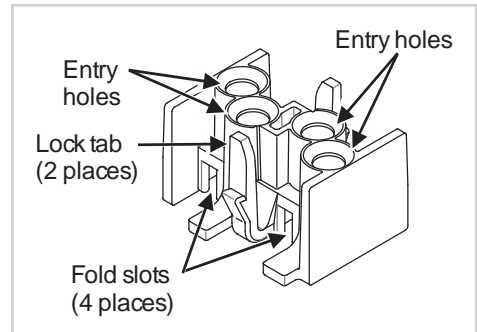


Figure 1. Termination Manager

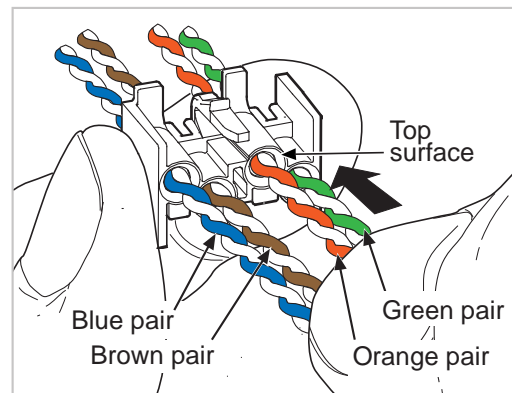


Figure 2. Feed Pairs into Termination Manager

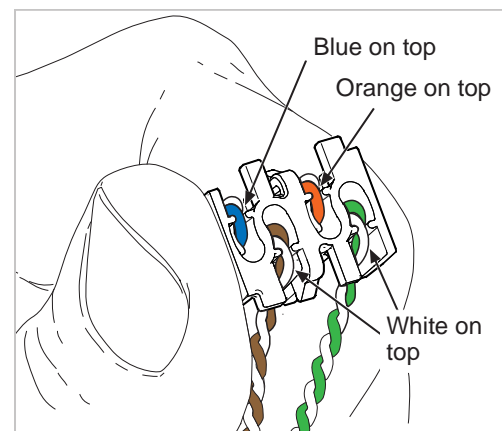


Figure 3. Fold Pairs Back into Slots

Snap Termination Manager onto Rear Housing (Figure 4)

7. Snap assembled termination manager onto rear housing with pair colors in proper position. Push on using the termination manager housing, not by pushing with the cable. (Ensure that both lock tabs on manager fully seat into rear housing).
8. After termination manager is snapped onto rear housing, untwist individual pairs fully and line up correct color conductor and white conductor with the label on the rear housing.

Seat Wires into IDC Terminal Slots (Figure 5)

9. Grasping each untwisted pair, push the conductors down into IDC terminal slots to seat them before punching down. Seat down into slots as far as possible. (It may be easier to use needle nose pliers to perform this task).
10. Using the D-914 punch tool with M110 blade on HI impact setting, punch down conductors making sure the tool is straight and that conductors fully engage in the IDC terminals. Stagger the punch-down tool up and down, so that it stays in alignment with the staggered terminal slots.

Recommendations to Aid Assembly

1. The termination manager should be snapped onto the rear housing immediately after the pairs have been fed and folded over into the slots. All termination managers should be installed on the panel before proceeding to seat and punch down conductors.
2. Flex cables down for easier access, then seat and punch down the entire top row of the panel.
3. Flex cables up for easier access, then seat and punch down the entire bottom row.

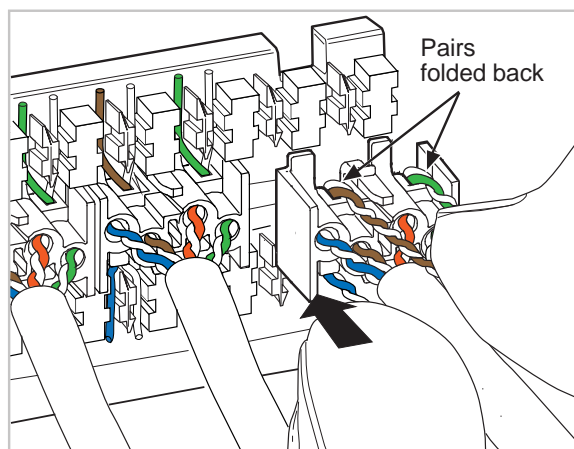


Figure 4. Snap Termination Manager onto Rear Housing

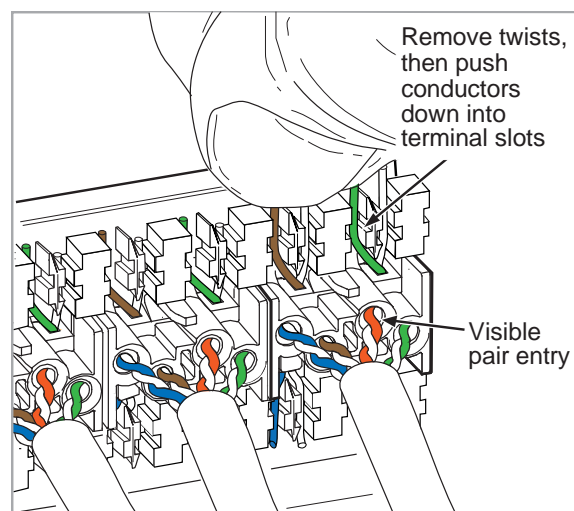


Figure 5. Seat Untwisted Pairs into IDC Terminal Slots