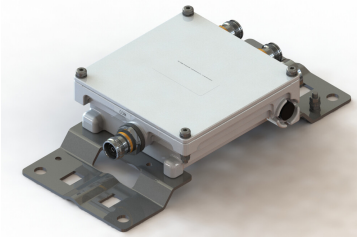


# E14F06P32



## Ultra Compact Single Diplexer 1350-1880/1920-2690, 4.3-10 connectors

- Ideal for small cell applications
- Compact form factor with reduced size and weight
- Suitable for space limited applications like Metro Cell, Lamp Pole, Concealment Solution and Macro Site
- New 4.3-10 connectors for improved PIM performance and size reduction
- Single configuration

### **OBSOLETE**

This product was discontinued on: **December 31, 2024**

#### Replaced By:

E12F05P96

Diplexer, DCS 1800/UMTS 2100, AISG compatible, dc pass on all ports with 4.3-10 connectors

## Product Classification

**Product Type** Diplexer

## General Specifications

**Color** Gray

**Modularity** 1-Single

**Mounting** Pole | Wall

**Mounting Pipe Hardware** Band clamps (2)

**RF Connector Interface** 4.3-10 Female

## Dimensions

**Height** 48 mm | 1.89 in

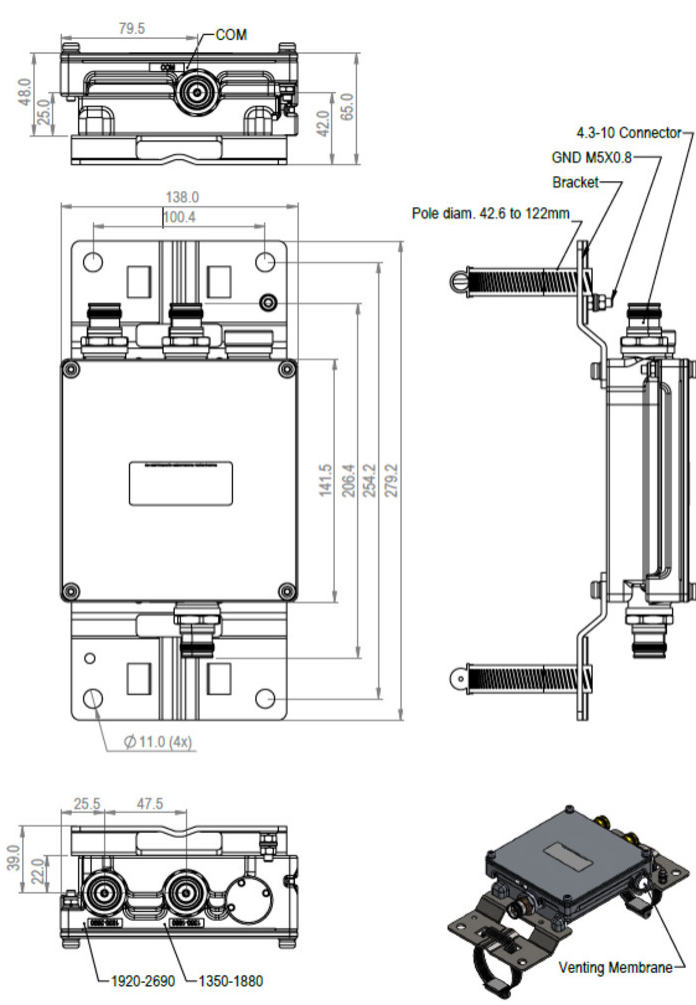
**Width** 138 mm | 5.433 in

**Depth** 141.5 mm | 5.571 in

**Mounting Pipe Diameter Range** 42.6–122 mm

## Outline Drawing

# E14F06P32



## Electrical Specifications

**Impedance** 50 ohm

## Electrical Specifications, dc Power/Alarm

**dc/AISG Pass-through Method** No dc/AISG pass-through

**dc/AISG Pass-through, combiner** dc/AISG blocking on all ports

**dc/AISG Pass-through, demultiplexer** dc/AISG blocking on all ports

**Lightning Surge Current** 5 kA

**Lightning Surge Current Waveform** 8/20 waveform

## Electrical Specifications

**Sub-module** 1 | 2 1 | 2

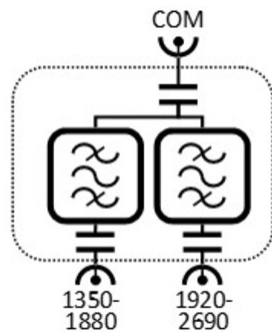
# E14F06P32

<b>Branch</b>	1	2
<b>Port Designation</b>	PORT 1 1350-1880	PORT 2 1920-2690

## Electrical Specifications, Band Pass

<b>Frequency Range, MHz</b>	<b>1350–1880</b>	<b>1920–2690</b>
<b>Insertion Loss, typical, dB</b>	0.25	0.2
<b>Return Loss, typical, dB</b>	22	22
<b>Isolation, typical, dB</b>	38	38
<b>Input Power, RMS, maximum, W</b>	100	100
<b>Input Power, PEP, maximum, W</b>	1000	1000
<b>3rd Order PIM, typical, dBc</b>	-162	-162
<b>3rd Order PIM Test Method</b>	Two +43 dBm carriers	Two +43 dBm carriers

## Block Diagram



## Environmental Specifications

<b>Operating Temperature</b>	-40 °C to +65 °C (-40 °F to +149 °F)
<b>Corrosion Test Method</b>	IEC 60068-2-11, 30 days
<b>Environmental Test Method</b>	ETSI EN 300 019-1-4
<b>Ingress Protection Test Method</b>	IEC 60529:2001, IP67

## Packaging and Weights

<b>Included</b>	Mounting hardware
<b>Volume</b>	0.95 L
<b>Weight, net</b>	2 kg   4.409 lb
<b>Weight, without mounting hardware</b>	1.5 kg   3.307 lb